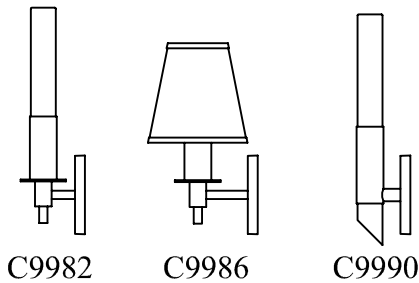


9982-1

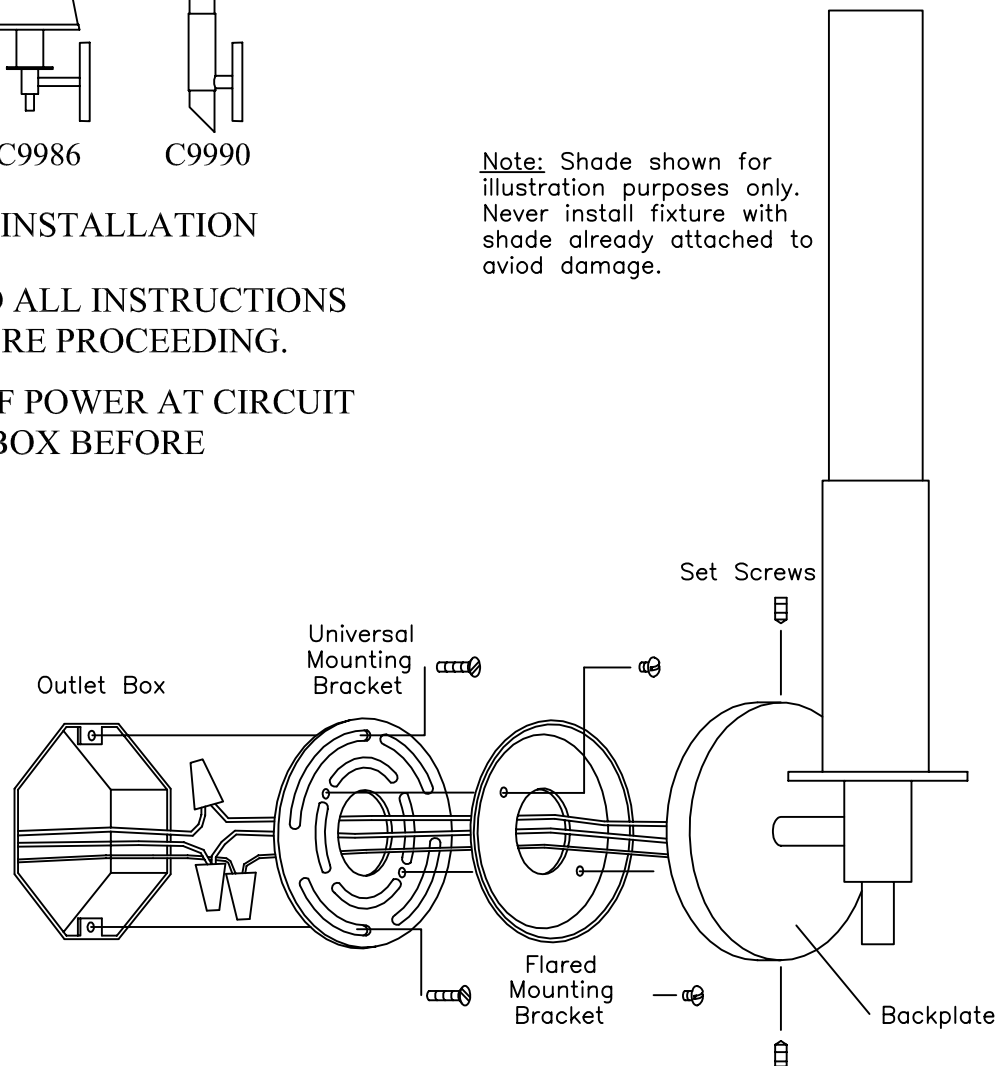


Note: Shade shown for illustration purposes only. Never install fixture with shade already attached to avoid damage.

INSTRUCTIONS FOR INSTALLATION

IMPORTANT: READ ALL INSTRUCTIONS THOROUGHLY BEFORE PROCEEDING.

CAUTION: TURN OFF POWER AT CIRCUIT BREAKER OR FUSE BOX BEFORE PROCEEDING.



INSTALLATION:

1. Attach flared mounting bracket to outlet box as shown. Note: Universal mounting bracket is not required for some styles of outlet boxes and plaster rings.
2. Make connections using twist on connectors: connect black fixture wire to black supply wire; white fixture wire to white supply wire; fixture ground wire to box ground wire or terminal. Push all connections inside outlet box.
3. Position backplate of fixture over flared mounting bracket so that it is flush against wall. Secure by tightening top, then bottom set screws with hex key provided. Do not overtighten.
4. Install shade as illustrated on Page 2.