

B O Y D



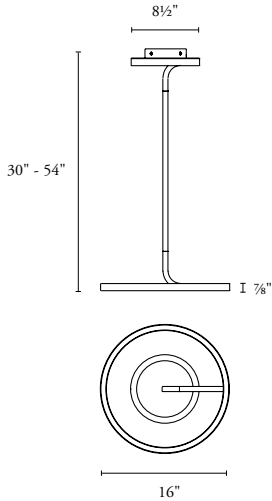
HOOPLA PENDANT
I AND II

#10620 AND #10621

SHOWN IN COFFEE BEAN

10620 Hoopla Pendant I

Height	Diameter	Ring Height	Net Wt.
Specify"	16"	7/8"	4 lbs
	406 mm	22 mm	1.8 kg



Canopy: 8½" diameter x 2½"; 216 x 64 mm
 UL listed (or equivalent) for damp locations
 Diffuser: satin white acrylic
 Photometric report and ies file available for download at www.boydlighting.com

REQUIRED INFORMATION

- Height Overall: 30" - 54"; 762 - 1372 mm

LAMPING

LED

Standard

- 21 Watts
- 2700°K/90+ CRI
- Universal 120v-277v
- ≈ 750 Fixture Lumens
- Lamps included with fixture

High-output

- 28 Watts
- 2700°K/90+ CRI
- Universal 120v-277v
- ≈ 1,000 Fixture Lumens
- Lamps included with fixture

When using a basic on-off switch, the Standard option is recommended.

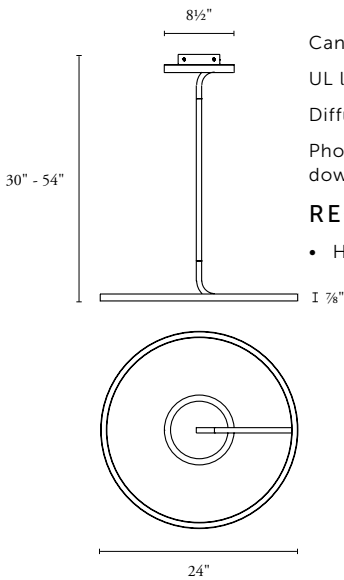
Fixtures can be dimmed using 0-10V low voltage dimming controls and wiring.

STANDARD FINISHES

- Coffee Bean
- Milk

10621 Hoopla Pendant II

Height	Diameter	Ring Height	Net Wt.
Specify"	24"	7/8"	5 lbs
	610 mm	22 mm	2.3 kg



Canopy: 8½" diameter x 2½"; 216 x 64 mm
 UL listed (or equivalent) for damp locations
 Diffuser: satin white acrylic
 Photometric report and ies file available for download at www.boydlighting.com

REQUIRED INFORMATION

- Height Overall: 30" - 54"; 762 - 1372 mm

LAMPING

LED

Standard

- 26 Watts
- 2700°K/90+ CRI
- Universal 120v-277v
- ≈ 950 Fixture Lumens
- Lamps included with fixture

High-output

- 36 Watts
- 2700°K/90+ CRI
- Universal 120v-277v
- ≈ 1,300 Fixture Lumens
- Lamps included with fixture

When using a basic on-off switch, the Standard option is recommended.

Fixtures can be dimmed using 0-10V low voltage dimming controls and wiring.

STANDARD FINISHES

- Coffee Bean
- Milk

