



Instructions for Installation:

C-10652 San Miguel

Lamping Specifications:

- Incandescent, Eight, A-19
60W max each
- LED Screw-in lamp

IMPORTANT! AT ALL TIMES WIRING TO BE DONE PER NATIONAL ELECTRIC CODES (NEC) OR APPLICABLE LOCAL CODES

**IMPORTANT | CAUTION
READ ALL INSTRUCTIONS THOROUGHLY.
TURN OFF POWER AT CIRCUIT BREAKER OR
FUSE BOX BEFORE PROCEEDING.**

BEFORE YOU BEGIN

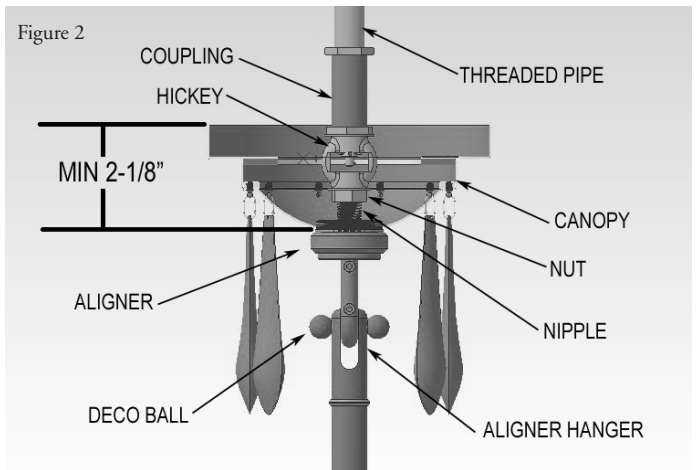
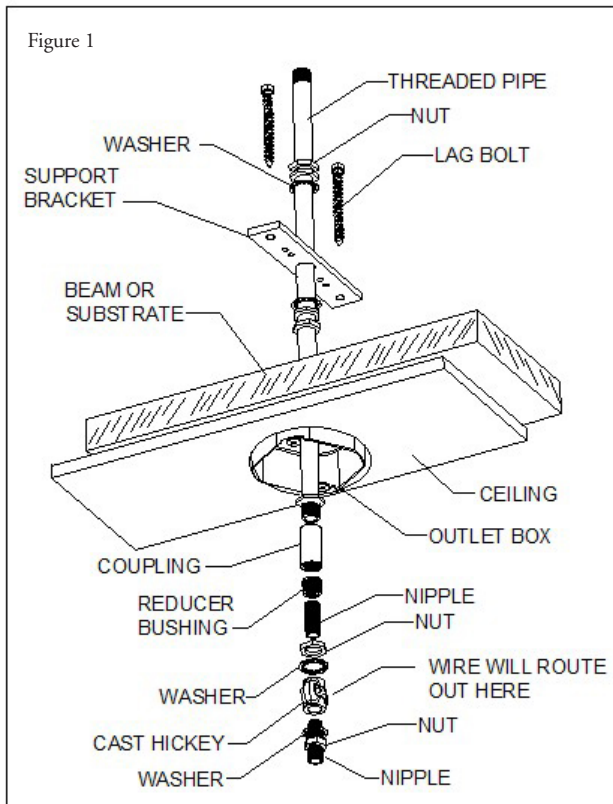
1. To ensure the success of the installation, be sure to read these instructions and review the diagrams thoroughly before beginning.
2. All electrical connections must be in accordance with local code ordinances.
3. Before starting the installation, disconnect electricity at the circuit breaker or the fuse box. Disconnecting power by using the wall switch is not sufficient to prevent electrical shock.

IMPORTANT: Installation of this fixture requires a minimum of two installers. It is recommended that a lift be used to aid in the installation of the fixture. Unpack the canopy and stem assembly and make preparations for installation into the ceiling.

Step 1: Install upper support bracket and associated hardware onto appropriate fixture support located above the ceiling. Make sure that any structural modifications for installation meet or exceed all local and state building codes.

Step 2: It will be necessary to drill a hole through the center of the junction box with a minimum diameter of 11/16" to allow the threaded pipe to route up and into ceiling.

Step 3: Install nut and coupling onto the lower portion of the threaded pipe. Add reducer bushing and nipple and secure into position. Add cast iron hickey and associated hardware.



Step 4: Route the threaded pipe up and through the center of the junction box. Securely fasten the pipe and support bracket, located above structural support, with lock washers and nut. (See Figure 1)

Step 5: Install the aligner and adjust the position of the aligner so that the canopy can be installed and retained into position against the ceiling with the aligner ring.

NOTE: The depth of the canopy is approx 2-1/8" overall. (See Figure 2)

BOYD

Step 6: Locate the suspension stem assembly and confirm that the components are aligned properly and securely fastened.

Step 7: Route the cord from the fixture assembly around the loop ring and up and through the center of the suspension stem. Use a soft cloth to cover the top of the fixture assembly to protect the finish from being damaged during the installation. (See Figure 3)

Step 8: Attach the stem to the fixture using the loop ring, stud, and decorative balls. Make sure that the threaded stud is securely fastened into the decorative body.

Step 9: Carefully lower the aligner ring and canopy assembly down the stem and rest them on the cloth located at the top of the fixture assembly.

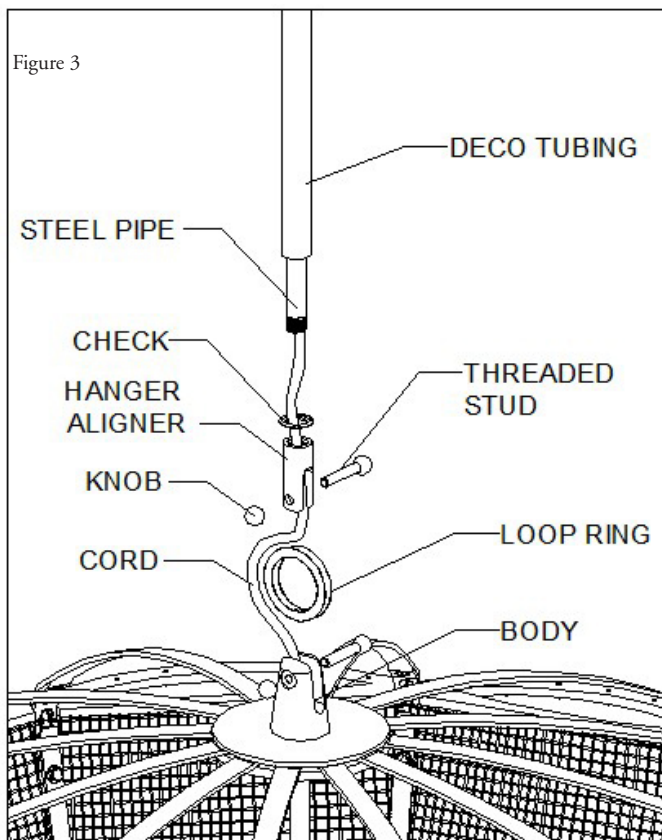


Figure 3

Step 10: Prepare to hang the fixture at the canopy assembly in the ceiling. Raise the fixture up to the hanger aligner and attach the suspension stem assembly to the aligner using the threaded stud hardware and decorative balls.

Step 11: Route the cord from the stem up and through the center of the aligner. Cord must be routed out of the cast hickey so that wire connections can be made at the junction box. (See Figure 4)

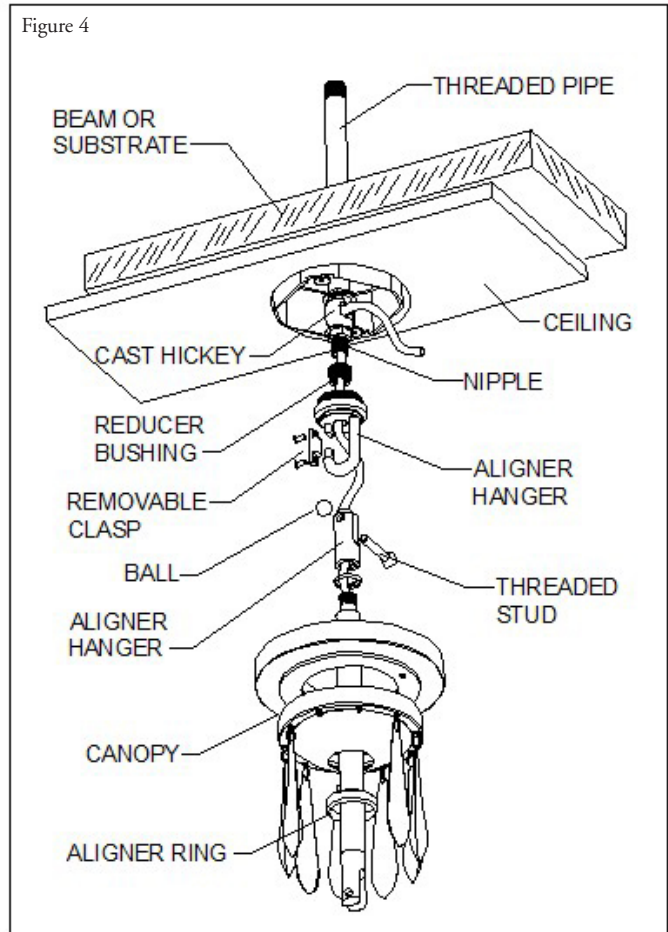


Figure 4

MAKE WIRE CONNECTIONS

Step 1: Make wire connections between the fixture and supply wires at the junction box. Connect the white fixture wire to the neutral supply wire; typically white, connect the black fixture wire to the hot supply wire; typically black, connect the copper fixture wire to the ground wire and or the ground terminal in the outlet box. Push all of the wire connections into the outlet box.

Step 2: Carefully raise the canopy up to the ceiling. It may be necessary to remove the decorative balls from the threaded stud in order for the canopy and aligner ring to clear the hardware.

Step 3: Fasten the canopy against the ceiling and secure into position with the aligner ring. Ensure stud hardware is properly threaded into the suspension components and replace decorative ball.

Step 4: Install lamps not to exceed recommended max wattage listed on lamping label.