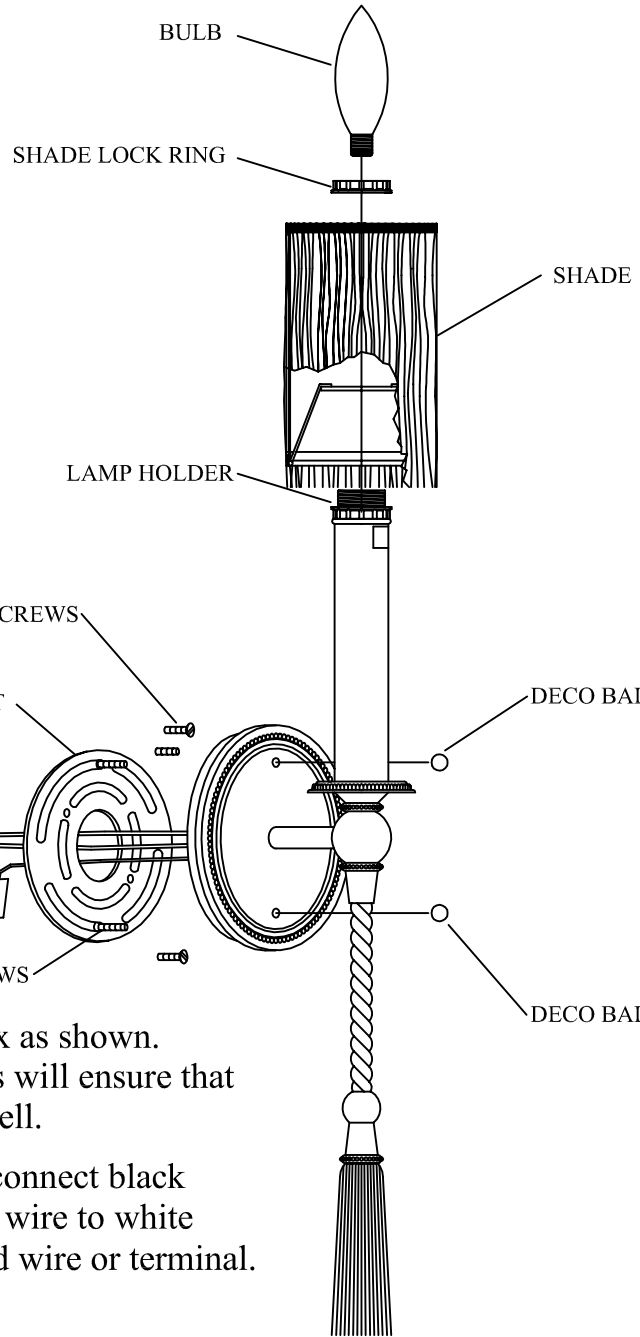


C-9873

C-9874



## INSTRUCTIONS FOR INSTALLATION

**IMPORTANT: READ ALL INSTRUCTIONS THOROUGHLY BEFORE PROCEEDING.**

**CAUTION: TURN OFF POWER AT CIRCUIT BREAKER OR FUSE BOX BEFORE PROCEEDING.**

### INSTALLATION:

1. Attach universal mounting bracket to outlet box as shown. Mount so that studs are vertical to the wall, this will ensure that the fixture, once mounted, will be vertical as well.
2. Make connections using twist on connectors: connect black fixture wire to black supply wire; white fixture wire to white supply wire; fixture ground wire to box ground wire or terminal. Push all connections inside outlet box.
3. Position backplate of fixture over mounting bracket and align so that the screws fit through the holes of the backplate. Secure by threading the decorative balls onto the screws.
4. Leave the protective cover over the fringe shade during installation. Align shade over lampholder, then secure with shade lock ring. Thread bulb into lampholder, do not exceed recommended wattage for lamp. Remove protective cover from shade.