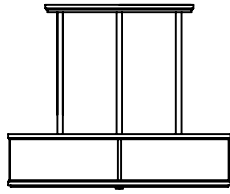


BOYD

FIXTURE ASSEMBLY INSTRUCTIONS

C-10034-3
PALOS VERDES PENDANT
CUSTOM PALOS VERDES SQ



IMPORTANT: READ ALL INSTRUCTIONS THOROUGHLY BEFORE PROCEEDING.

CAUTION: TURN OFF POWER AT CIRCUIT BREAKER OR FUSE BOX BEFORE PROCEEDING.

INSTALLATION: PALOS VERDES PENDANT

1. CAREFULLY REMOVE FIXTURE FROM PACKAGING. TO AVOID DAMAGE, DO NOT USE A KNIFE OR OTHER SHARP INSTRUMENTS.
2. PLACE DRUM ON A PADDED TABLE OR SURFACE TO PREVENT SCRATCHING OF FIXTURE OR SURFACE.

3. SCREW THREADED PIPES INTO COUPLINGS ON THE SUPPORT CROSSBARS (1.1). FEED WIRING THROUGH PIPES. NOTE: END OF PIPE WITH SPACER WASHER AND NUT MUST BE POINTED UP (1.2).
4. SLIDE STEM CASINGS OVER THREADED PIPES (1.3).
5. IF OPTIONAL DIFFUSER WILL BE USED, CAREFULLY SLIDE DIFFUSER ONTO THE FOUR STEMS. SLOWLY LOWER DIFFUSER INTO POSITION AND LET IT REST ON THE UPPER CROSSBARS (1.4).
6. PLACE FINISHING WASHERS OVER ENDS OF PIPES AND STEM CASINGS (1.5).
7. ALIGN CANOPY DISK ASSEMBLY OVER EXPOSED PIPES. FEED ALL WIRING THROUGH HOLES (1.6).
8. PLACE SUPPORT BRACKET OVER TWO OF THE STEMS. SECURE ALL STEMS TO CANOPY WITH LOCK WASHERS AND NUTS AS SHOWN (1.7).

PROCEED TO "HANGING INSTRUCTIONS".....

NOTE: C-10034 IS SHOWN FOR ILLUSTRATION PURPOSES

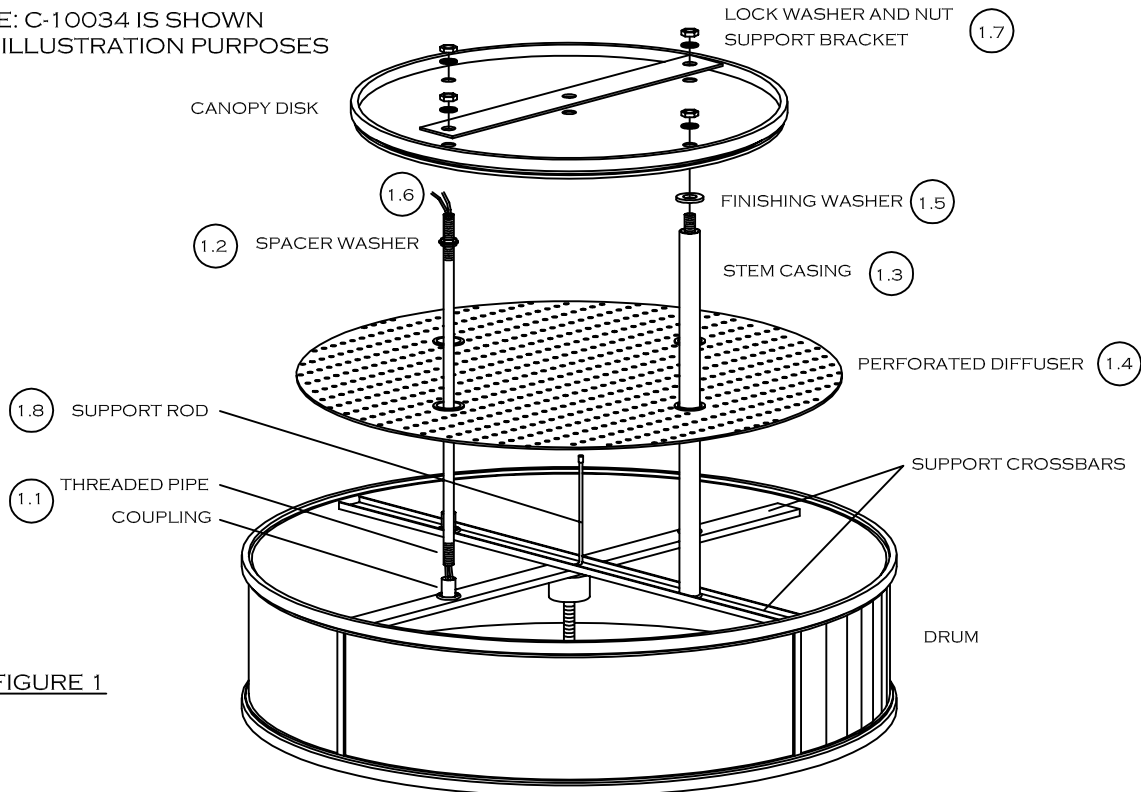


FIGURE 1

HANGING INSTRUCTIONS (FIG 2)

1. ATTACH MOUNTING STRAP TO OUTLET BOX WITH SCREWS PROVIDED. BE SURE THREADED NIPPLE POINTS DOWN, AS SHOWN (2.1).
2. WITH FIXTURE ASSEMBLED, MAKE WIRE CONNECTIONS USING TWIST-ON WIRE CONNECTORS; BLACK FIXTURE WIRE TO BLACK SUPPLY WIRE; WHITE FIXTURE WIRE TO WHITE SUPPLY WIRE; FIXTURE GROUND WIRE TO BOX GROUND WIRE OR TERMINAL. PUSH ALL CONNECTIONS INSIDE OUTLET BOX (2.2).

3. LIFT FIXTURE TO CEILING. ALIGN THREADED NIPPLE WITH HOLE IN CENTER OF CANOPY. SECURE WITH STEPPED CENTER CAP (2.3).

NOTE: DUE TO THE PHYSICAL DIMENSIONS OF THIS FIXTURE, IT IS STRONGLY RECOMMENDED THAT A SECOND PERSON ASSIST IN THE INSTALLATION OF THIS PENDANT.

4. SLIDE THE PERFORATED DIFFUSER UP STEMS AND REST IT ON SUPPORT ROD. (1.8 ON PREVIOUS PAGE)
5. INSTALL LAMP(S). DO NOT EXCEED MAXIMUM RATED WATTAGE AS LISTED ON LABEL.

