

BOYD

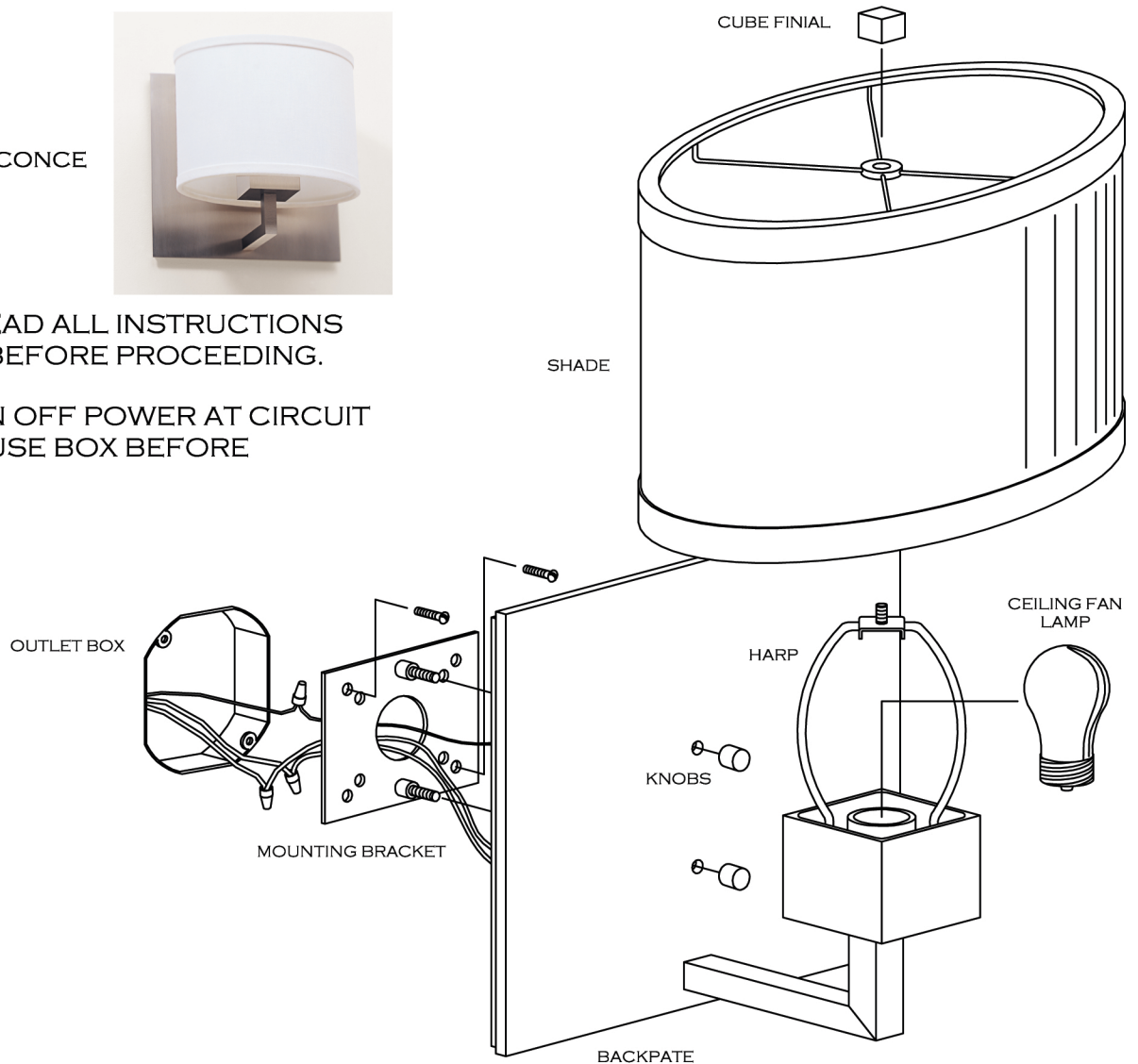
FIXTURE ASSEMBLY INSTRUCTIONS

10047-3
PRESIDIO OVAL SCONCE



IMPORTANT: READ ALL INSTRUCTIONS THOROUGHLY BEFORE PROCEEDING.

CAUTION: TURN OFF POWER AT CIRCUIT BREAKER OR FUSE BOX BEFORE PROCEEDING.



INSTALLATION: PRESIDIO OVAL SCONCE:

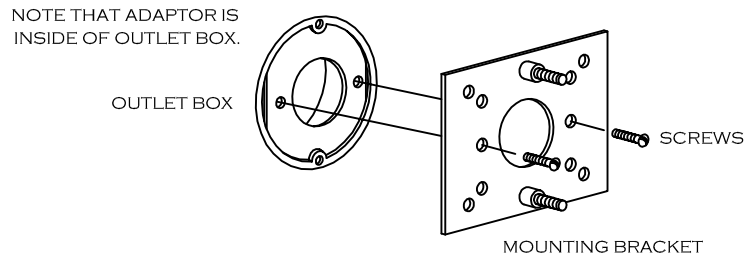
1. ATTACH MOUNTING BRACKET TO OUTLET BOX AS SHOWN. SEE NEXT PAGE FOR AN ALTERNATE METHOD.
2. MAKE WIRE CONNECTIONS USING TWIST-ON CONNECTORS: CONNECT BLACK FIXTURE WIRE TO BLACK SUPPLY WIRE; WHITE FIXTURE WIRE TO WHITE SUPPLY WIRE; FIXTURE GROUND WIRE TO BOX GROUND WIRE OR TERMINAL. PUSH ALL CONNECTIONS INSIDE OUTLET BOX.
3. ALIGN HOLES ON BACKPLATE OVER STUDS ON MOUNTING BRACKET. WITH BACKPLATE FLUSH TO WALL, SECURE THE FIXTURE TO WALL WITH THE TWO KNOBS PROVIDED.
4. INSERT "CEILING FAN" LAMP INTO LAMPHOLDER. DO NOT EXCEED MAXIMUM RATED WATTAGE ON LABEL.
5. ALIGN SHADE OVER HARP AND SECURE INTO PLACE WITH THE THREADED CUBE FINIAL.

BOYD LIGHTING COMPANY

944 FOLSOM STREET SAN FRANCISCO CALIFORNIA 94107

TEL 415.778.4300 FAX 415.778.4319 WWW.BOYDLIGHTING.COM

C-10047-3
PRESIDIO OVAL SCONCE



ALTERNATE INSTALLATION FOR 3" ROUND OUTLET BOX APPLICATIONS:

1. PLACE MOUNTING BRACKET ADAPTOR INTO ROUND OUTLET BOX AS SHOWN.
2. ATTACH MOUNTING BRACKET TO ADAPTOR WITH SCREWS AS SHOWN. TIGHTEN SCREWS SO THAT OUTLET BOX IS " SANDWICHED" BETWEEN THE MOUNTING BRACKET AND ADAPTOR. GIVE BRACKET A FIRM PULL TO ENSURE STABILITY.
3. SECURE WALL SCONCE AS SHOWN ON THE PREVIOUS PAGE.