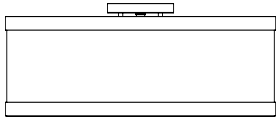


# BOYD

Revised 08.14.07

## Installation Instructions

C10218 CATACAOS CEILING 24"  
C10219 CATACAOS CEILING 30"



## Lamping Specifications

Incandescent:  
Medium Base, Three A-19, 75w max,

Fluorescent: Non-Dimming 120v-277v  
Four, CFTR26W/Gx24q

Dimming 120v or 277v,  
Four, CFTR32W/Gx24q or CFTR42W/Gx24q or  
Four, CFTR26W/G24q-3 or CFQ26W/G24q-3

## IMPORTANT | CAUTION

Read all instructions thoroughly, and  
turn off power at circuit breaker or fuse  
box before proceeding.

Step 1 Remove the fixture from packaging. Avoid using a sharp blade on the packaging, doing so may result in damage to the finish of fixture or linen shade.

**CAUTION:** Injury to persons and damage to property may result if the fixture or mounting hardware is pulled from the ceiling. Mount only on a surface that is mechanically sound and one that can easily support 30 lbs. Minimum.

Step 2 Separate the electrical lamp assembly from the shade assembly and place the shade on soft cloth or other protective surface out of the way of installation to prevent possible damage.

**IMPORTANT! AT ALL TIMES WIRING TO BE DONE PER NATIONAL ELECTRIC CODES (NEC) OR APPLICABLE LOCAL CODES.**

Step 3 Locate the outlet box and with power off at circuit, insert the threaded studs into outlet box mounting holes. Adjust stud length so that it protrudes through the universal mounting bracket on the lamp cluster assembly and lock into position with cinch nuts.

Step 4 Remove knobs retaining the canopy and carefully lower the canopy to expose the universal mounting bracket and hardware. Lift the lamp assembly up to the outlet box and make wire connections. Connect the white fixture wire to the neutral supply wire; typically white. Connect the black fixture wire to the hot supply wire; typically black. Connect the fixture ground wire to the ground supply wire; typically copper or green.

Step 5 Carefully push the wire connections inside the outlet box, then raise the lamp assembly and align the universal mounting bracket into position over the outlet box. Install the two thumb knobs and secure the fixture to the ceiling. Carefully raise the canopy to the ceiling and replace the decorative knobs to secure the canopy in place. (See Figure 1)

Step 6 Install lamps per label recommendations. Raise the shade and decorative grill assembly into position and align the four support brackets on the inside of the shade with the crossbar brackets on the lamp assembly module. (See Figure 2)

Step 7 Restore power at the breaker / fuse box.

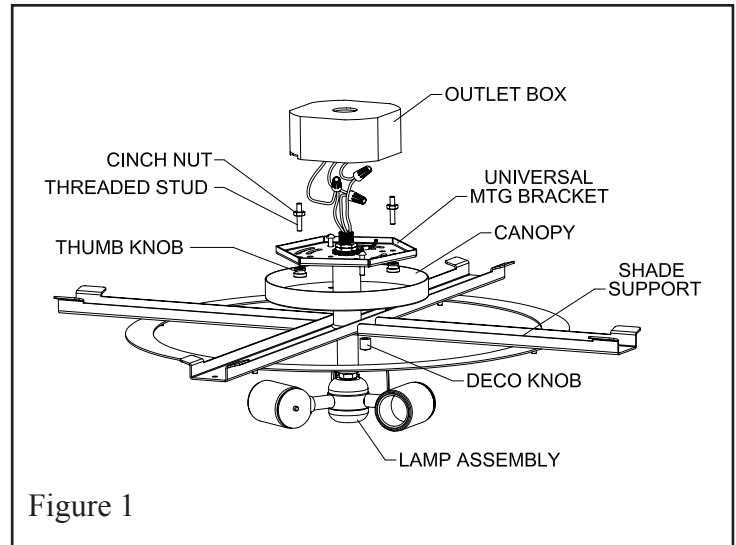


Figure 1

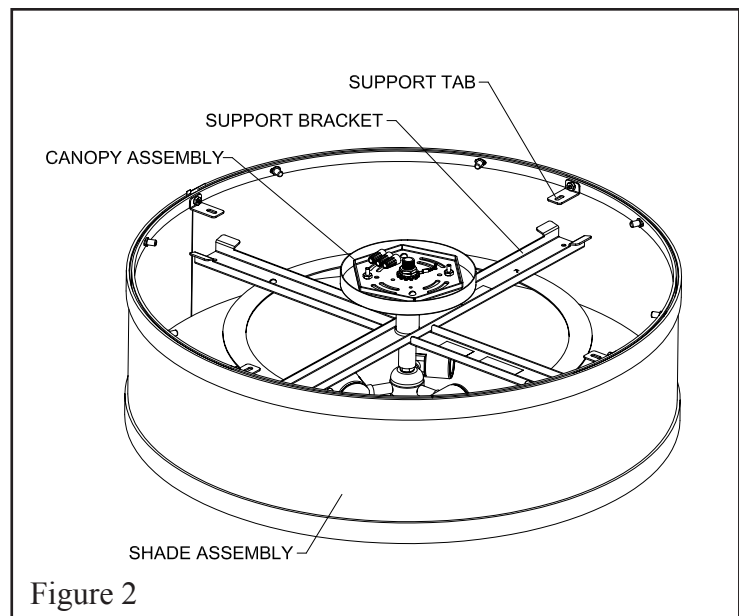


Figure 2

Thank you for your purchase and enjoy your Boyd lighting fixture.