

Instructions for Installation:
C-10235 Soleil Salon Pendant

Lamping Specifications:
Incandescent: Candelabra Base, Eight G-16-1/2 or B-10, 60w Max each

IMPORTANT! AT ALL TIMES WIRING TO BE DONE PER NATIONAL ELECTRIC CODES (NEC) OR APPLICABLE LOCAL CODES

**IMPORTANT | CAUTION
READ ALL INSTRUCTIONS THOROUGHLY.
TURN OFF POWER AT CIRCUIT BREAKER OR FUSE BOX BEFORE PROCEEDING.**



Figure 1



Figure 2



Figure 3

Step 1 Remove fixture from packaging. Avoid using a sharp blade on the packaging, as doing so may result in damage to the fixture or finish.

Step 2 Turn off power to circuit at fuse box/circuit breaker.

Step 3 Install lamps per relamp label.

Step 4 Attach the Flared Mounting Ring to the J-box with provided hardware. (Fig 1)

Step 5 Unpack Canopy and Stem Assembly and remove the nut, lock washer, and cardboard retainer. Route fixture wires through stem and assemble stem to the lighting fixture. (Fig 2)

Step 6 Remove plastic cover from shade. Do NOT operate fixture without removing the plastic shade. (Fig 3)

Step 7 Attach fixture assembly to Flared Mounting Ring at J-box and make wire connections between the fixture and power supply wires. Connect the white fixture wire to the neutral supply wire; typically white, connect the black fixture wire to the hot supply wire; typically black, connect the copper fixture wire to the ground wire and/or the ground terminal in the outlet box. Push all connections inside of junction box. (Fig 4)

Step 8 Carefully slide the canopy up the stem. Push the canopy over the Flared Mounting Ring and secure using the set-screws on the canopy. (Fig 5)

Step 9 Restore power to circuit



Figure 4



Figure 5

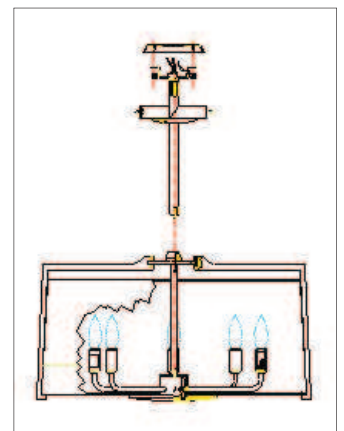


Figure 6 - Exploded view of pendant installation

BOYD LIGHTING

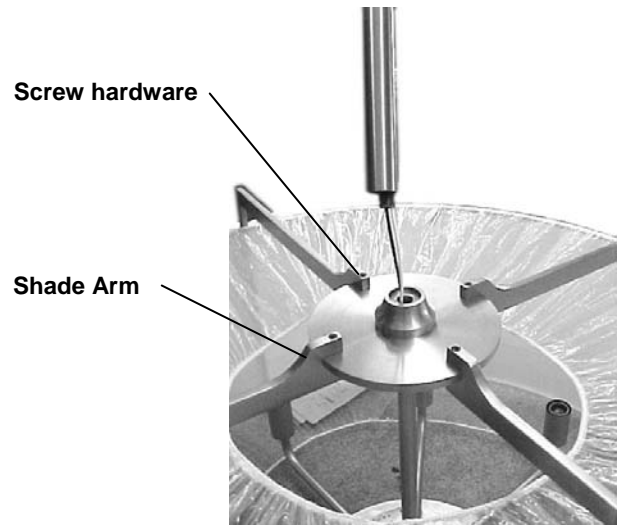


Figure 1

INSTRUCTIONS FOR SHADE REPLACEMENT C10235 SOLEIL SALON PENDANT

**IMPORTANT: READ ALL INSTRUCTIONS
THOROUGHLY BEFORE PROCEEDING.**

**CAUTION: TURN OFF POWER AT CIRCUIT
BREAKER OR FUSE BOX BEFORE
PROCEEDING.**

STEP 1

It is not necessary to remove the fixture from outlet in order to replace the shade, however it may make the replacement process easier if the fixture is more accessible such as resting on a table or similar work area.

It is recommended that a qualified electrician is involved for any electrical connection or removal of such connection.

STEP 2

In order to replace the shade you must first remove the screw hardware (with 3-32 allen wrench provided) from the shade arm (See Figure 1)

STEP 3

With screw hardware removed, carefully remove shade arm to gain access to the shade.

STEP 4

Carefully lift and maneuver shade from the fixture and replace.

STEP 5

To insert shade simply repeat steps 2-3 in reverse order.



STEP 6

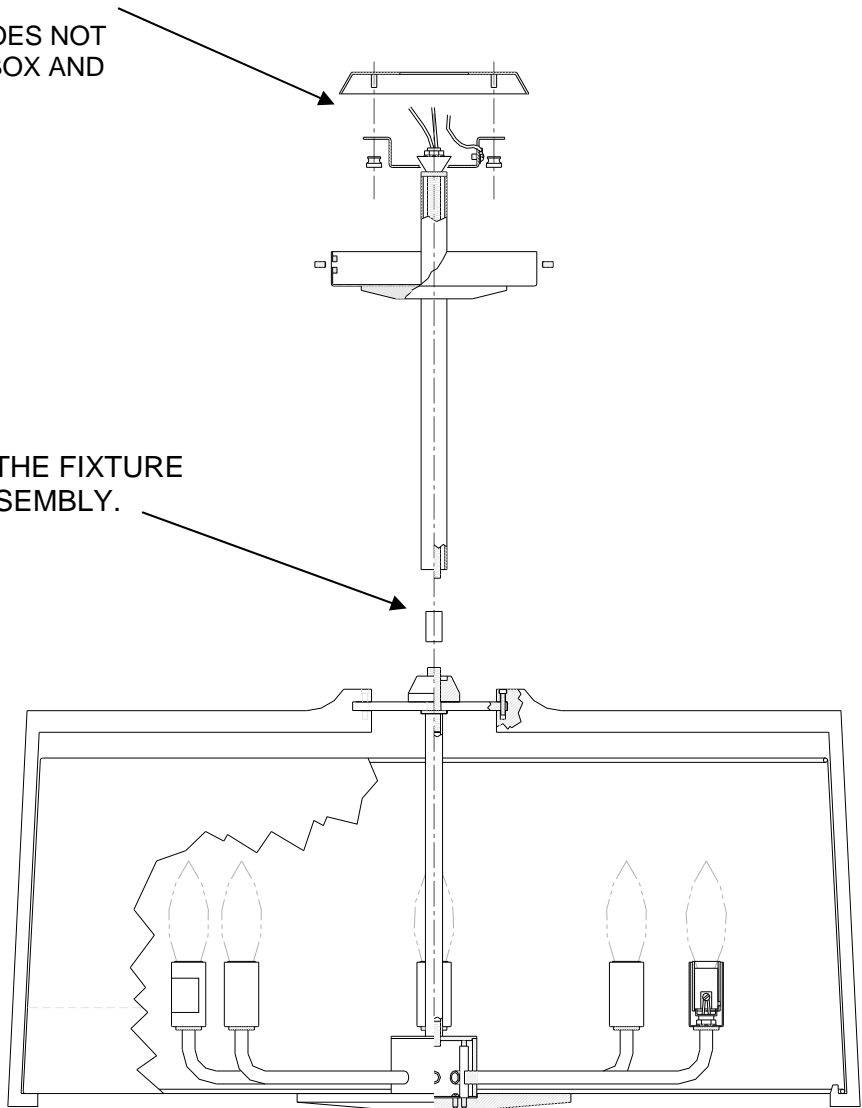
Restore power to the circuit and illuminate lighting fixture.

BOYD LIGHTING

WITH THE USAGE OF ADDITIONAL COUPLING, THE
THREADED STEM WILL EXTEND FURTHER INTO
OUTLET BOX.

MAKE SURE THAT THREADED STEM DOES NOT
PROTRUDE INTO WIRING OR OUTLET BOX AND
CAUSE DAMAGE.

INSERT COUPLING BETWEEN THE FIXTURE
LAMP CLUSTER AND STEM ASSEMBLY.



USE A SMALL AMOUNT OF LOCKTITE OR EQUIVALENT TO ENSURE
SECURE INSTALLATION.

**NOTE: DO NOT ALLOW LOCKTITE TO TOUCH FINISHED SURFACES
AS DAMAGE CAN RESULT.**