

Instructions for Installation:

C10438 Cadence LED I
C10439 Cadence LED II

Lamping Specifications:

LED
Input 120-277v

IMPORTANT! AT ALL TIMES WIRING TO BE DONE PER NATIONAL ELECTRIC CODES (NEC) OR APPLICABLE LOCAL CODES

**IMPORTANT | CAUTION
READ ALL INSTRUCTIONS THOROUGHLY.
TURN OFF POWER AT CIRCUIT BREAKER OR FUSE BOX BEFORE PROCEEDING.**

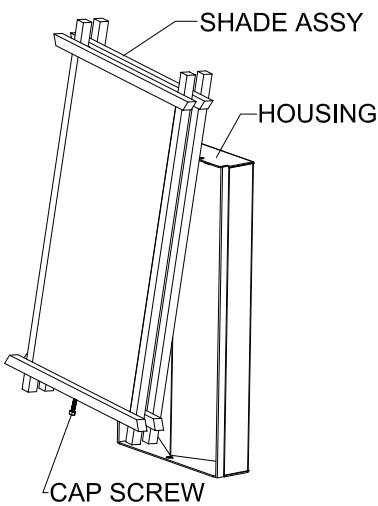


Figure 1

Step 1 Carefully unpack fixture and remove shade assembly from electrical housing. To remove the shade assembly, locate and remove the lower screw that retains the bottom bar of the shade assembly. Carefully remove screw and separate decorative shade assembly from electrical housing by pulling the lower portion out and lifting the shade assembly from the housing. (See Figure 1)

Step 2 Remove the four thumb screws that retain the internal reflector to provide access to the mounting locations and internal electrical components. (See Figure 2)

Step 3 Turn off power at the circuit before proceeding. Make wire connections: connect black fixture wire to black supply wire (load typical); white fixture wire to white supply wire (neutral); attach fixture ground wire to ground wire or ground screw.

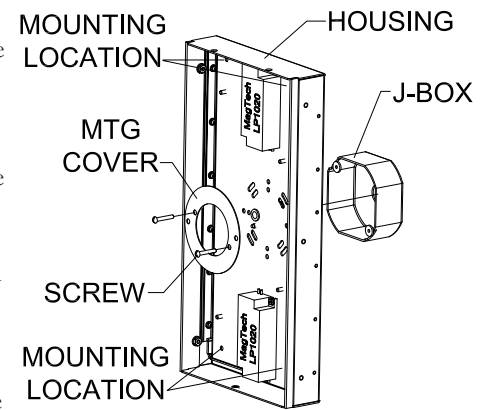


Figure 3

FOR DIMMING APPLICATION: If this fixture has been wired for low voltage (0-10v) dimming also known as “reverse phase” or “trailing edge” dimming technology. Make sure that this fixture is controlled by an Electronic Low-Voltage (ELV) dimmer as opposed to a standard dimmer that is designed for use with magnetic ballast or incandescent lighting.

Electronic low-voltage dimmers are designed specifically for the special electrical requirements of electronic transformers. The electrical characteristics of an electronic transformer are capacitive (as opposed to an inductive magnetic transformer) and require special dimming considerations.

Step 4 Connect dimming control wires. Attach the Purple wire to the positive (+) dimmer control wire. Connect the Gray wire to the negative (-) dimmer control wire. Use wire connectors provided and push all connections inside the outlet box. (See Wiring Diagram on page 2)

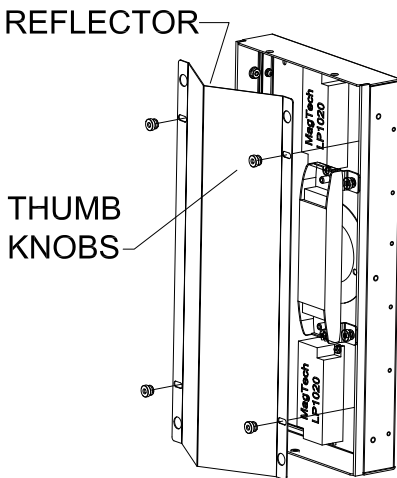


Figure 2

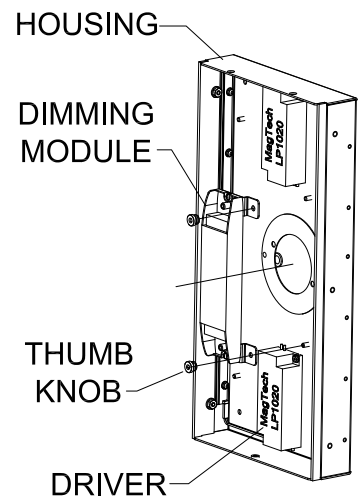


Figure 4

BOYD

Step 5 Remove thumb screws from the dimming module bracket (if applicable) and lift away from the center mounting holes. Lift electrical housing into position over the junction box. Orient the cover ring so the holes line up with the housing and the threaded holes in the junction box. Attach fixture housing to the outlet box using screws provided. (See Figures 3 and 4)

Note: Due to the weight of this fixture it is recommended to use additional hardware and attach the fixture to the wall at the four additional mounting locations. (See Figure 3)

Step 6 Replace the dimming module and bracket (if applicable) into position and secure with thumb knobs. Make sure that none of the wire connectors have been disconnected at the LED modules. These connectors are delicate and can be disconnected if disturbed. (See Figure 5)

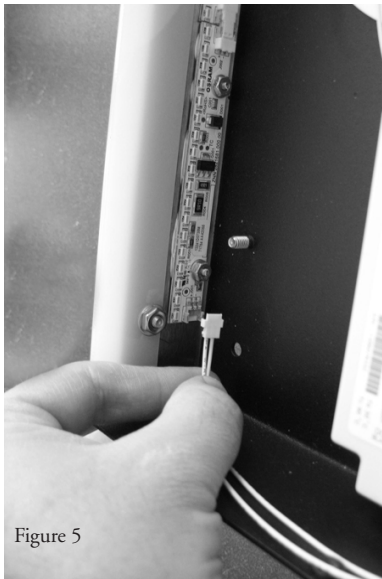


Figure 5

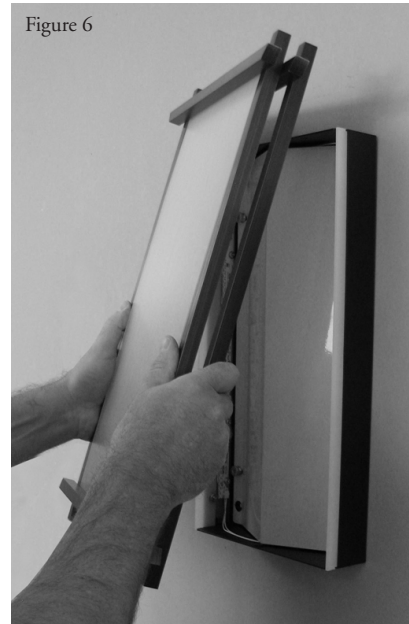
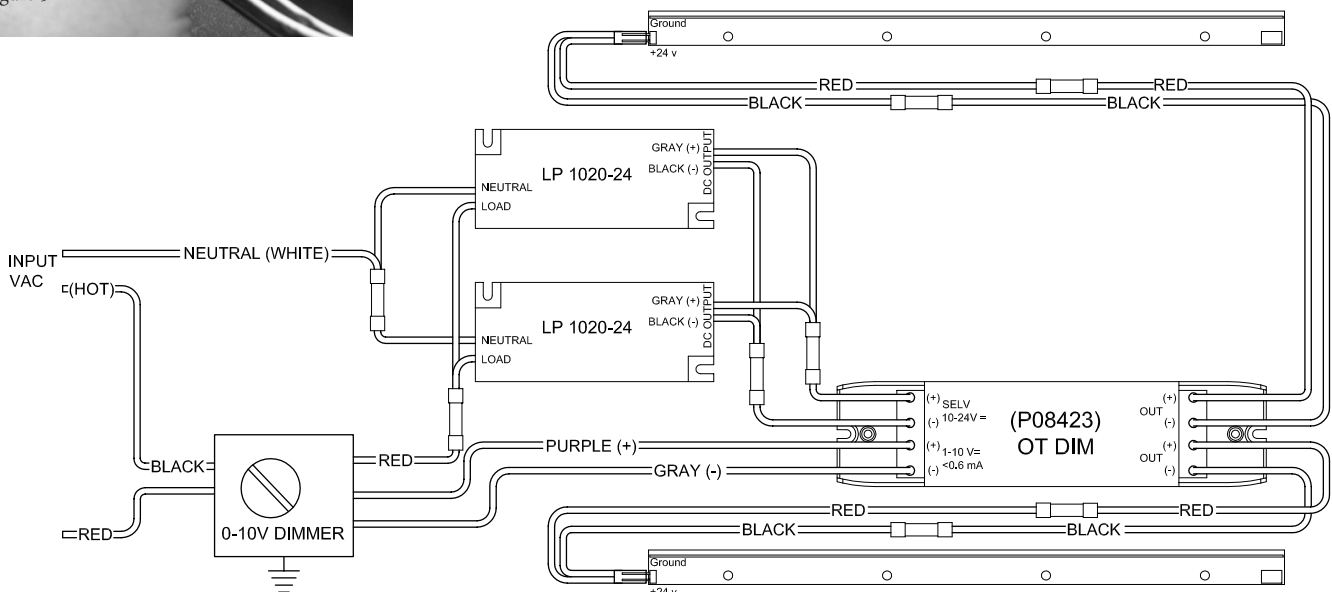


Figure 6

Step 7 Install the reflector, be careful not to damage the wire connectors or insulation on wire leads that provide power to the LED modules. Secure reflector into position with thumb knobs. (See Figure 2)

Step 8 Install decorative shade assembly. Position the top portion of the shade assembly towards the upper shelf of the fixture housing at a slight angle and align the posts in the shade with the holes in the top of the housing. Carefully lower the shade assembly towards the fixture housing. Secure into position with cap head machine screw. (See Figure 1 and 6)

Step 9 Restore power to circuit and illuminate light fixture.



C10439 LED DIMMING WIRING DIAGRAM 12.06.13