

Instructions for Installation:
C-10491 Zucca Pendant

Lamping Specifications:
Incandescent: Medium Base,
Six A-19, 60w Max

IMPORTANT! AT ALL TIMES WIRING TO BE DONE PER NATIONAL ELECTRIC CODES (NEC) OR APPLICABLE LOCAL CODES

**IMPORTANT | CAUTION
READ ALL INSTRUCTIONS THOROUGHLY.
TURN OFF POWER AT CIRCUIT BREAKER OR FUSE BOX BEFORE PROCEEDING.**

Step 1 Turn off power to circuit at fuse box/circuit breaker.

Step 2 Remove fixture from packaging. Avoid using a sharp blade on the packaging, as doing so may result in damage to the fixture or finish.

Step 3 Route fixture wires through stem and thread the stem into the coupling located at the top of the fixture assembly. (Figure 1)

Step 4 Thread the upper couplings onto the suspension stems. Thread the steel nipples into the upper couplings.

Step 5 Carefully route the wires through the holes in the canopy assembly and attach the canopy to the suspension stems. Secure the canopy with lock washers and nuts. (Figure 2)

Step 6 Securely attach mounting hardware to the junction box with appropriate hardware.

Step 7 Lift the fixture assembly up towards the mounting hardware and route the supply wires from the J-box down through the center of the canopy assembly. Align the threaded studs on the ceiling bracket with the holes in the canopy assembly and secure the canopy to the junction box using the thumb nuts provided.

Step 8 Make wire connections between the fixture and power supply wires. Connect the white fixture wire to the neutral supply wire; typically white, connect the black fixture wire to the hot supply wire; typically black, connect the copper fixture wire to the ground wire and/or the ground terminal in the outlet box. Push all connections inside of junction box. (Figure 2)

Step 9 Install the access hole cover on the canopy and secure with decorative flat head screws.

Step 10 Install lamps per relamp label. To create a unique look for the fixture consider using a nostalgic or Edison style lamp.

Step 11 Restore power to circuit

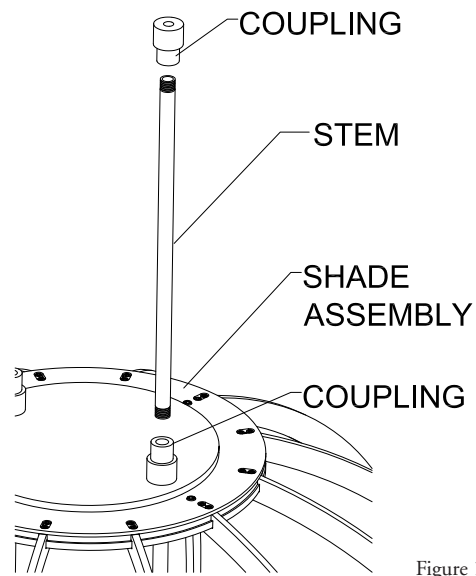


Figure 1

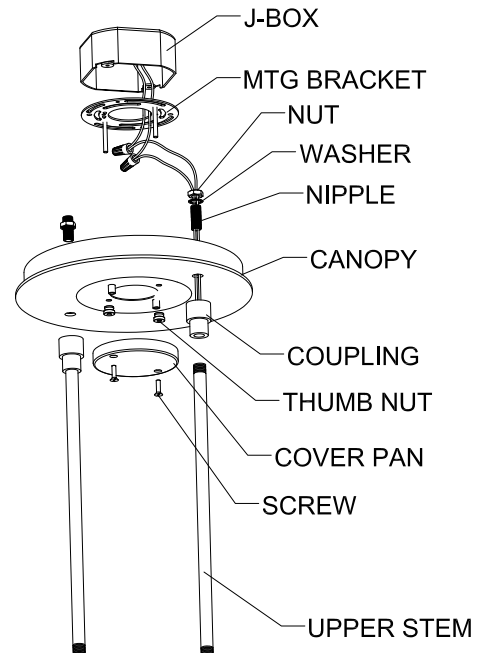


Figure 2