

Instructions for Installation:

C-10512 Topanga I Chandelier (6 arm)
 C-10513 Topanga I Chandelier (8 arm)

Lamping Specifications:

Incandescent:
 Candelabra Base, Type B-10, 40w max ea

IMPORTANT! AT ALL TIMES WIRING TO BE DONE PER NATIONAL ELECTRIC CODES (NEC) OR APPLICABLE LOCAL CODES

**IMPORTANT | CAUTION
 READ ALL INSTRUCTIONS THOROUGHLY.
 TURN OFF POWER AT CIRCUIT BREAKER OR FUSE BOX BEFORE PROCEEDING.**

Step 1 Remove fixture from packaging. Avoid using a sharp blade on the packaging, as doing so may result in damage to the fixture or finish. Note: Please remove any furniture and breakables from beneath the installation location before attempting installation of chandelier.

Step 2 Attach the threaded studs into the junction box. Leave approximately 1/2" of the stud protruding from the junction box. Securely tighten the studs into position with nuts or similar hardware.

Step 3 Place the chandelier fixture on a sturdy working surface in a location free of debris or environments that may damage the fixture finish.

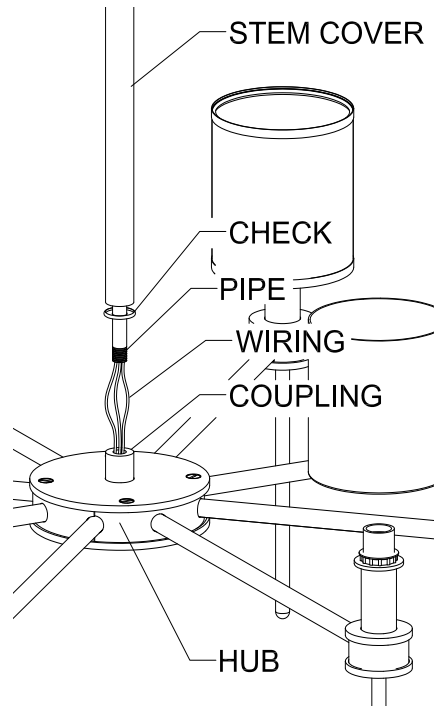


Figure 1

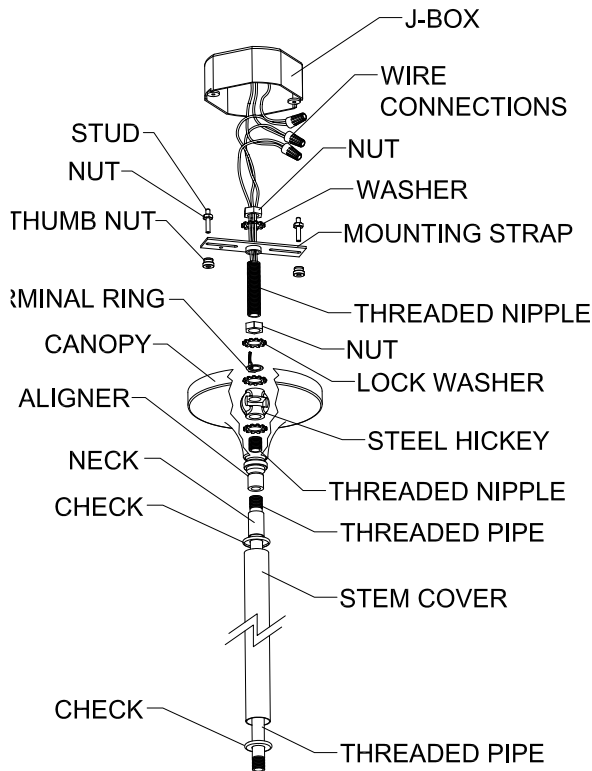
Step 4 Route the wires from the center hub of the fixture up and through the threaded pipe. Thread the steel pipe into the coupling on the lamp fixture and securely fasten.

Step 5 Carefully slide the decorative centering check and stem tubing over the steel threaded pipe. Place the second decorative centering check over the pipe at the top and use to center up the decorative stem. (See Canopy and Stem Detail)

Step 6 Slide the neck down the threaded pipe. NOTE: The threaded pipe should protrude above the neck a minimum of 1/4 inch so that the swivel can be threaded onto the pipe. Adjust the pipe as necessary. Route the wires through the swivel aligner assembly and thread the aligner onto the threaded pipe.

CAUTION: If the length of the pipe threads are too long the pipe may be threaded too far into the swivel preventing the swivel aligner from freely moving. Again adjust the pipe as necessary so the aligner is allowed to swivel. (Use Loctite 2440 or equivalent to bond the threads between the steel pipe and swivel aligner)

Step 7 Assemble the remainder of the stem assembly and securely fasten all of the hardware components. (See Canopy Stem Detail)



CANOPY AND STEM DETAIL

BOYD

Step 8 (If applicable) Remove the small brass nut from beneath each socket cluster assembly and discard as this is for shipping purposes only. Thread the lower stem onto the lamp cluster assembly.

Step 9 Turn off power to circuit at fuse box/circuit breaker.

Step 10 Loosen and slide aligner nut and canopy down the neck to expose the mounting strap hardware during installation. (See Figure 3)

Step 11 Carefully lift the chandelier towards the junction box and align the threaded studs with the slotted holes in the mounting strap. Secure the mounting strap onto the junction box with thumb nuts. (See Figure 3)

Step 12 Make wire connections between the fixture and power supply wires. Connect the white fixture wire to the neutral supply wire; typically white, connect the black fixture wire to the hot supplywire; typically black, connect the copper fixture wire to the ground wire and/or the ground terminal in the outlet box. Push all connections inside of junction box.

Step 13 Slide canopy up to the ceiling and secure in place with aligner nut. (See Figure 3)

Step 14 Install the shade over the socket and secure into position with the shade ring. (See Figure 2)

Step 15 Install candelabra Base, Type B-10 lamps into the sockets and thread firmly into the socket. DO NOT exceed the relamp label recommendations. (See Figure 2)

Step 16 Restore power to circuit

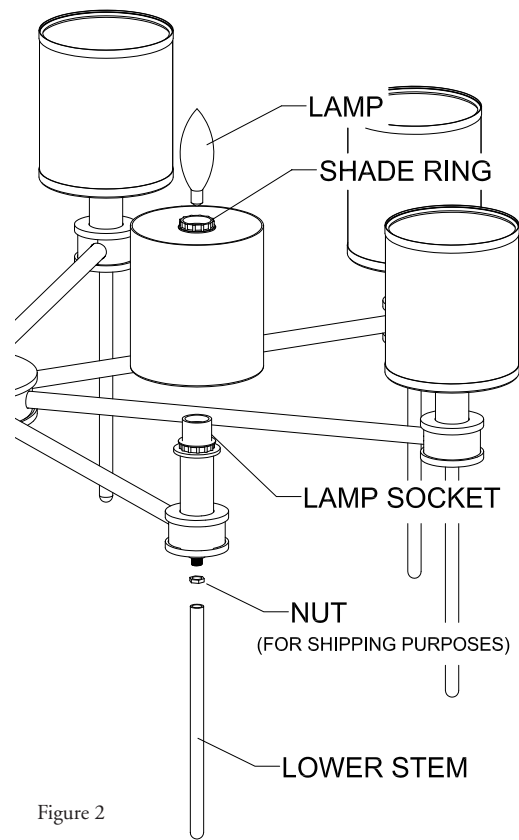


Figure 2

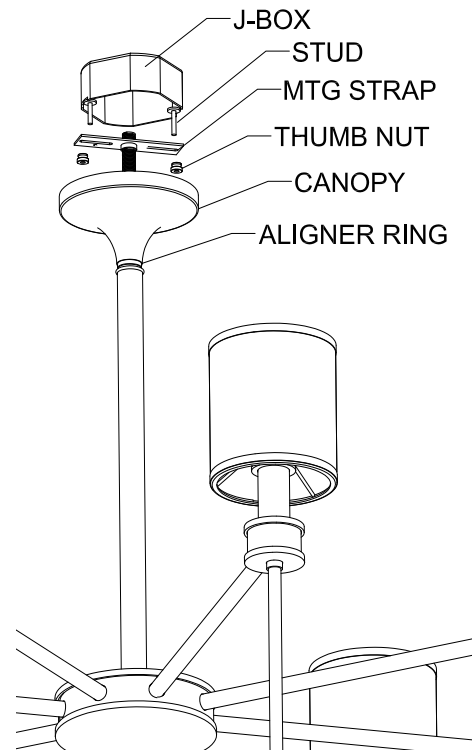


Figure 3