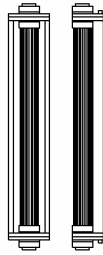


# BOYD

9752-6

Catalog # C9752  
C9753  
C9754



2. Make wire connections: White fixture wire to white supply wire; Black fixture wire to black supply wire; fixture ground wire to supply ground or screw. Use wire connectors provided and push connections inside of outlet box.  
Note: If supply wires are located within 3" of ballast, use wire rated for at least 90 C (194 F).
3. Using Allen wrench provided, secure backplate to mounting bracket with Allen head cap screws. (Figure 1)

## INSTRUCTIONS FOR INSTALLATION:

**IMPORTANT:** READ ALL INSTRUCTIONS THOROUGHLY BEFORE PROCEEDING.

**CAUTION:** TURN OFF POWER AT CIRCUIT BREAKER OR FUSE BOX BEFORE PROCEEDING.

1. Fasten mounting bracket to outlet box and wall using screws provided. Surface of wall must be mechanically sound for wall screws. (Figure 1)

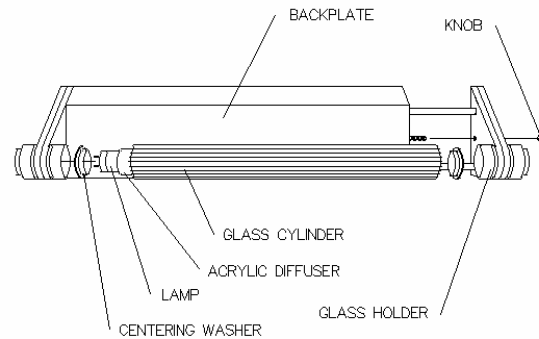


FIG. 2

4. Slide glass holder away from backplate by unscrewing knob. (Figure 2)

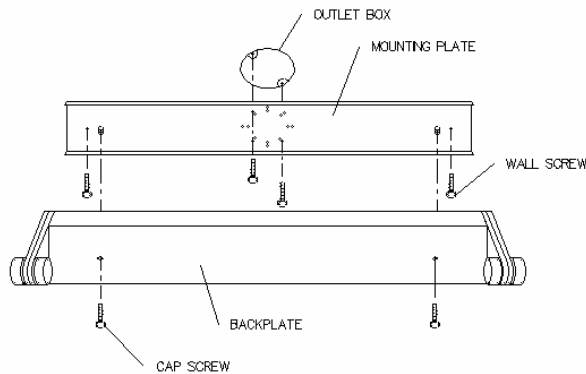


FIG 1

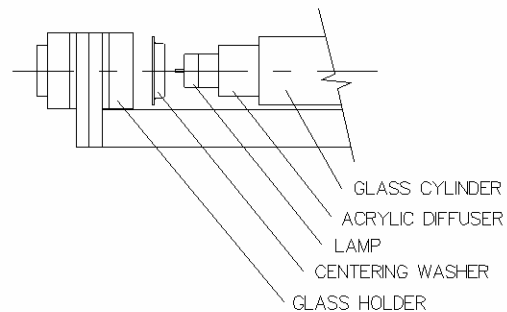


FIG. 3

5. Slide acrylic diffuser through glass cylinder and the fluorescent tube through the diffuser. Place a centering washer over each end of the tube so that it fits inside the glass cylinder. (Figure 3)

## MIRROR MOUNTING

For mounting on a mirror use the hole pattern shown below and the dimensions from the chart. The center hole is 4 inches in diameter. The two outer holes are 1 inch in diameter. (Figure 5)

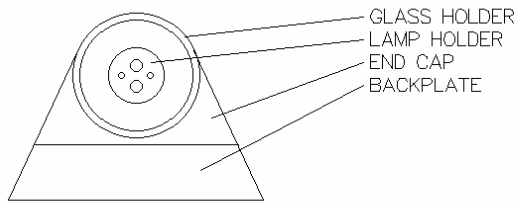


FIG. 4

6. Insert lamp and cylinder into the stationary end of the fixture. The two pins on the end of the lamp go into the smaller holes in the lampholder. Slide the movable glass holder over the end of the cylinder and secure with knob. (Figure 4)
7. For relamping repeat steps 4 through 6.

Fixture No.	"A"	"B"
C-9752	9"	18"
C-9753	15"	30"
C-9754	21"	42"

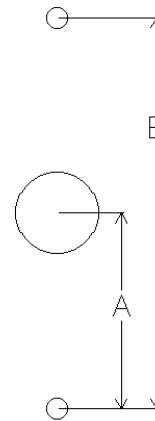


FIG. 5