

9844/9845

Orion Ceiling Fixture

**Lamping Specifications**

Incandescent

- Three, A-19, 100w max each

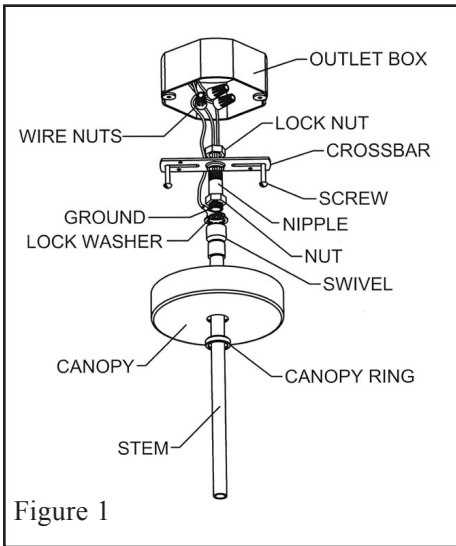
Flourescent

- 120v, Three, CFT13W/GX23 magnetic integral ballast
- 277v, Three, CFT13W/GX23 magnetic remote ballast

**IMPORTANT | CAUTION**

Read all instructions thoroughly, and turn off power at circuit breaker or fuse box before proceeding.

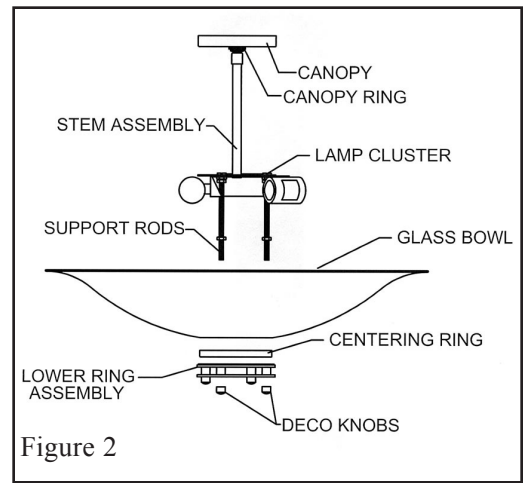
**IMPORTANT! AT ALL TIMES WIRING TO BE DONE PER NATIONAL ELECTRIC CODES (NEC) OR APPLICABLE LOCAL CODES.**



Step 2. Make sure that the hardware is securely fastened to the fixture swivel and stem, however, do not overtighten the nipple into the stem as this will prevent the swivel from providing freedom of movement.

Step 3. Lift fixture up to the outlet box and thread screws through the mounting crossbar to secure the fixture to the outlet box. (See Figure 1)

Step 4 Make wire connections using twist-on connectors: connect the black fixture wire to the hot supply wire (typically black); connect the white fixture wire to the neutral supply wire (typically white); connect the copper fixture wire to the ground wire or ground terminal at the outlet box. Push connections inside of outlet box.



Carefully unpack fixture and shade being careful not to damage the fixture finish and set shade in a safe location out of the way of installation.

Step 5 Carefully slide the canopy up stem and set flush with ceiling. Secure the canopy in place with the decorative threaded ring. (See Figure 2)

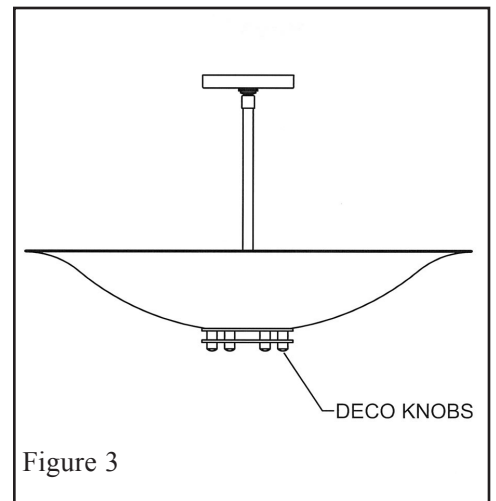
**OUTLET BOX MOUNTING**  
Step 1. Unscrew the canopy ring and lower the canopy down the stem. be careful not to scratch the finish of the decorative stem. (See Figure 1)

Step 6 Once fixture is suspended from outlet box, install the glass bowl. Slide the glass bowl and lower ring assembly onto stem assembly support rods as shown. Support rods should protrude through the holes in the lower ring assembly. (See Figure 2)

**CAUTION:** Injury to persons and damage to property may result if the fixture or mounting hardware is pulled from the ceiling. To reduce the likelihood of such injury, mount only on a surface that is mechanically sound and one that can easily support 20 lbs. Minimum.

Step 7. Secure the lower ring assembly with the decorative knobs provided. (See Figure 3)

Step 8. Install lamps per relamp label recommendations and restore power to circuit.



Thank you for your purchase and enjoy your Boyd lighting fixture.