

Instructions for Installation:
C-9956 Archetype Pendant 28"

Lamping Specifications:
Incandescent: Medium Base, Three A-21,
100w Max

Fluorescent: Non-Dimming:
120v or 277v
Four CFQ26W/G24q-3 or Four
CFTR26W/GX24q, or Four CFTR32W/
GX24q, or Four CFTR42W/GX24q

**IMPORTANT! AT ALL TIMES WIRING
TO BE DONE PER NATIONAL ELECTRIC
CODES (NEC) OR APPLICABLE LOCAL
CODES**

**IMPORTANT | CAUTION
READ ALL INSTRUCTIONS THOROUGHLY.
TURN OFF POWER AT CIRCUIT BREAKER OR
FUSE BOX BEFORE PROCEEDING.**



Figure 1

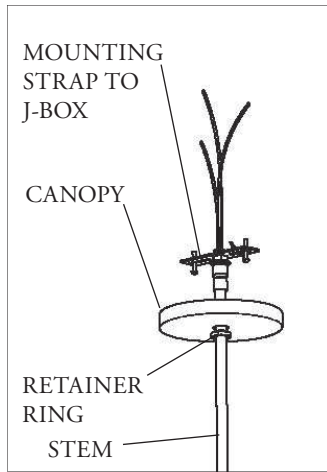


Figure 3

Step 1 Remove fixture from packaging. Avoid using a sharp blade on the packaging, as doing so may result in damage to the fixture or finish.

Step 2 Turn off power to circuit at fuse box/circuit breaker.

Step 3 Install lamps per relamp label.

Step 4 Remove and discard round brass nut from bottom end of stem/canopy assembly. This nut is used for shipping purposes only. (Fig 1)

Step 5 Route fixture wires through stem/canopy assembly and thread the stem into the coupling on top of fixture as shown (Fig 2)

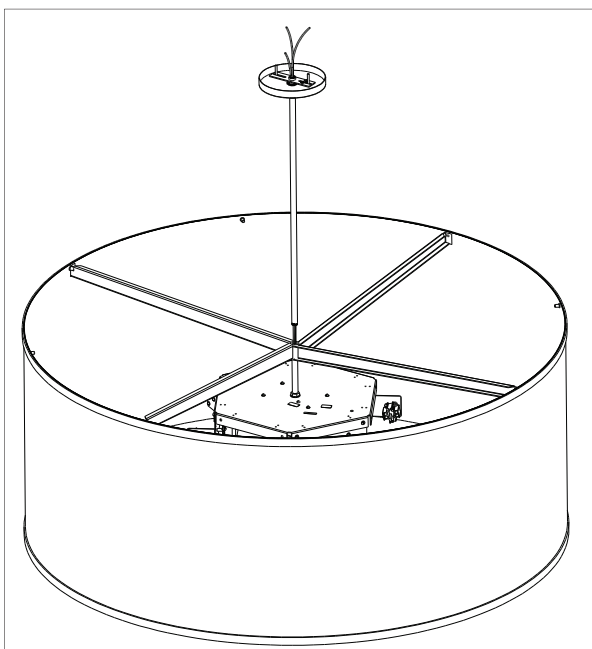


Figure 2

Step 6 Unscrew the canopy retainer ring and carefully slide both parts down to expose the mounting strap. With the help of an assistant, raise the fixture up to the outlet box, then secure the mounting strap using the fasteners provided in the mounting hardware kit. (Fig 3)

Step 7 Attach mounting hardware to J-box and make wire connections between the fixture and power supply wires. Connect the white fixture wire to the neutral supply wire (typically white); connect the black fixture wire to the hot supply wire (typically black); connect the copper fixture wire to the ground wire and/or the ground terminal in the outlet box. Push all connections inside of junction box.

Step 7 Slide canopy up to ceiling and secure in place with retainer ring.

Step 8 Restore power to circuit