



Instructions for Installation:

C-10601 To-Ji Pendant I
 C-10602 To-Ji Pendant II

Lamping Specifications:

Incandescent: One Medium Base, A-21,
 150w Max, LED Screw-in Lamp

BOYD

**IMPORTANT! AT ALL TIMES WIRING TO BE
 DONE PER NATIONAL ELECTRIC CODES
 (NEC) OR APPLICABLE LOCAL CODES**

**IMPORTANT | CAUTION !!
 READ ALL INSTRUCTIONS THOROUGHLY.
 TURN OFF POWER AT CIRCUIT BREAKER OR
 FUSE BOX BEFORE PROCEEDING.**

Step 1: Remove fixture from packaging. Avoid using a sharp blade on the packaging, as doing so may result in damage to the fixture or finish.

Step 2: Turn off power to circuit at fuse box/circuit breaker.

Step 3: Assemble the Fixture as shown. (Figure 1) Screw the Stem into the Yoke Assembly. Attach the Stem to the Canopy Assembly as shown. Carefully insert the Cord into the Cord Clip. Adjust the location of the Cord Clip – if necessary.

Step 4: Install fixture to ceiling (Figure 2) loosen Aligner Nut and slide Canopy Assembly down as shown. Attach Mounting Bracket to J-box with included 8-32 Screws. Attach the power wires from the Fixture to the wires of the J-Box using the supplied Wire Nuts. Connect the white fixture wire to the neutral supply wire (typically white); connect the black fixture wire to the hot supply wire (typically black); connect the green (or copper) fixture wire to the ground wire and/or the ground terminal in the outlet box. Push all connections inside of junction box. Carefully slide Canopy Assembly up and secure with Aligner Nut.

Step 5: Install the Shade and Diffusers. (Figure 3) Remove Diffuser Hub and Thumb Nuts. Carefully guide Shade into Yoke Assembly. Attach Shade with Thumb Nuts. Replace Diffuser Hub. Slide Inner Diffuser into Lamp Socket, secure in place with Shade Ring. Insert desired Lamp (Bulb). From below, carefully install the Lower Diffuser and slide it onto the Diffuser Hub. Adjust all components to ensure a balanced and level Fixture.

Step 6: Restore power to circuit.

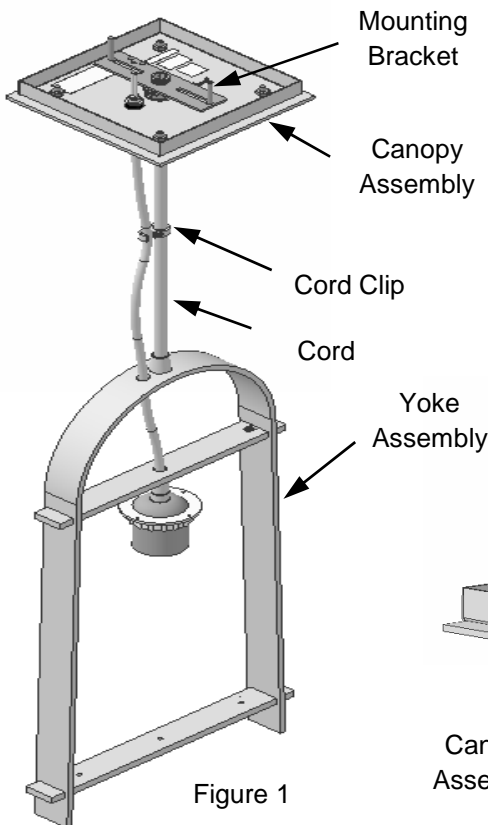


Figure 1

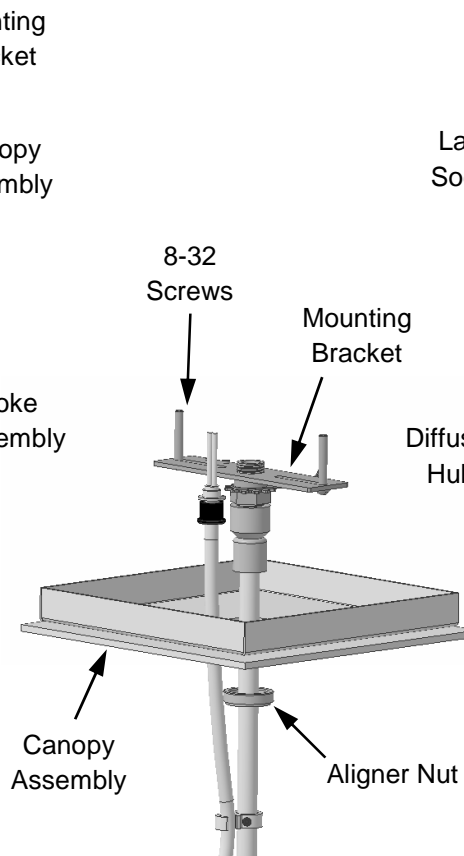


Figure 2

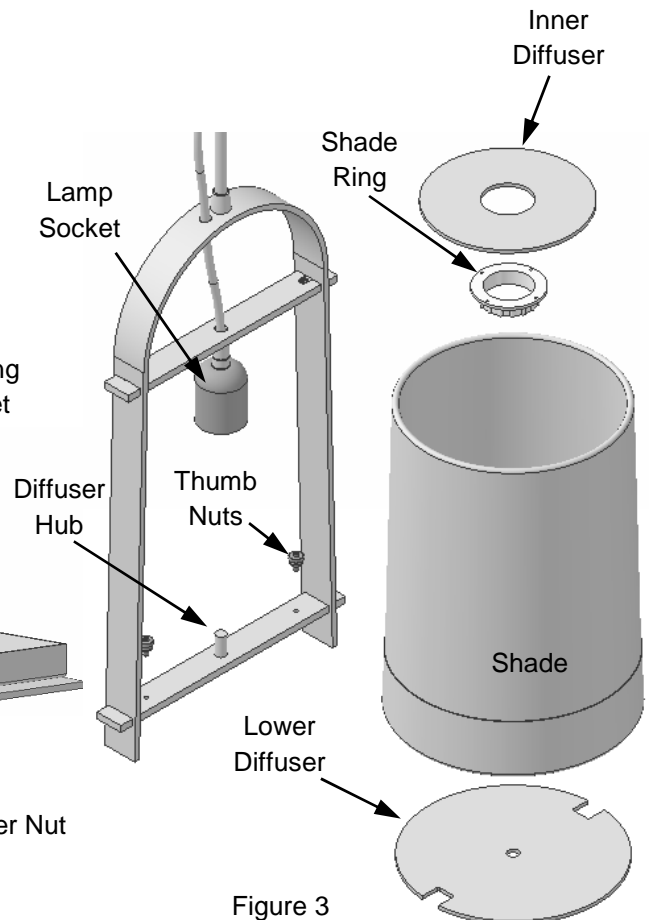


Figure 3