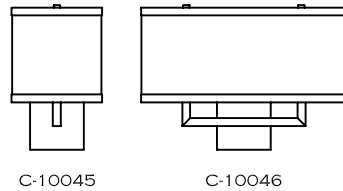


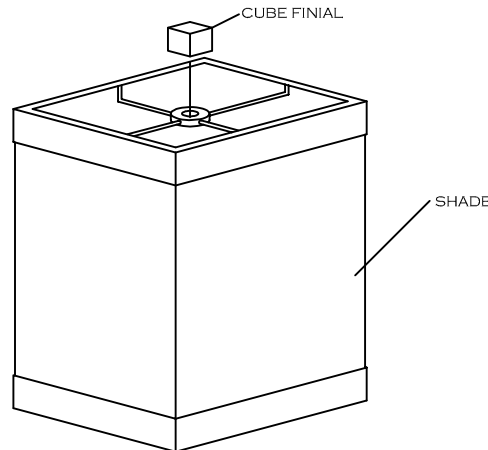
C-10045-3
 PRESIDIO SINGLE SCONCE
 PRESIDIO DOUBLE SCONCE



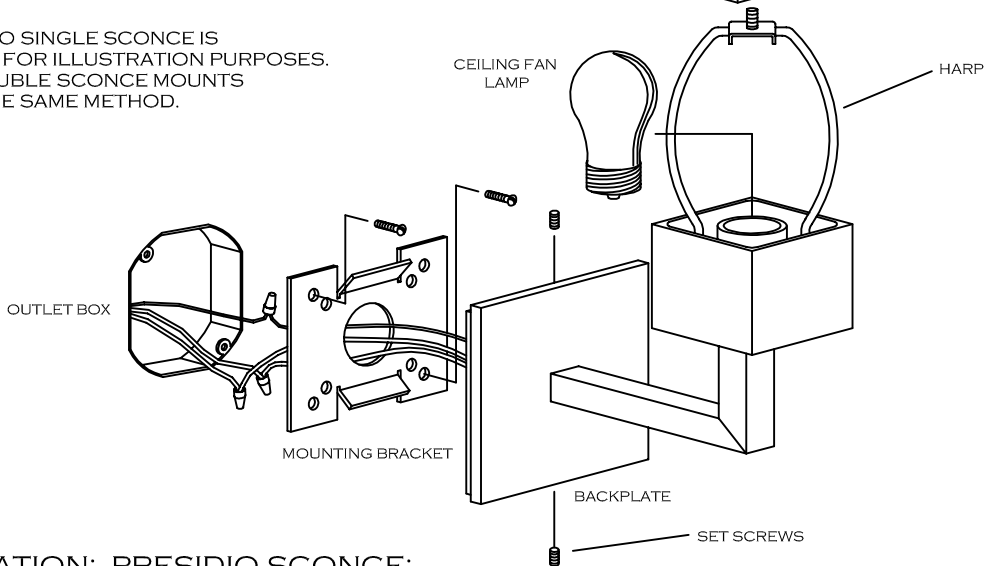
C-10045 C-10046

IMPORTANT: READ ALL INSTRUCTIONS THOROUGHLY BEFORE PROCEEDING.

CAUTION: TURN OFF POWER AT CIRCUIT BREAKER OR FUSE BOX BEFORE PROCEEDING.



PRESIDIO SINGLE SCONCE IS SHOWN FOR ILLUSTRATION PURPOSES. THE DOUBLE SCONCE MOUNTS WITH THE SAME METHOD.



INSTALLATION: PRESIDIO SCONCE:

1. ATTACH MOUNTING BRACKET TO OUTLET BOX AS SHOWN. SEE NEXT PAGE FOR AN ALTERNATE METHOD.
2. MAKE WIRE CONNECTIONS USING TWIST-ON CONNECTORS: CONNECT BLACK FIXTURE WIRE TO BLACK SUPPLY WIRE; WHITE FIXTURE WIRE TO WHITE SUPPLY WIRE; FIXTURE GROUND WIRE TO BOX GROUND WIRE OR TERMINAL. PUSH ALL CONNECTIONS INSIDE OUTLET BOX.
3. PLACE BACKPLATE OF FIXTURE OVER MOUNTING BRACKET. WITH BACKPLATE FLUSH TO WALL, SECURE BY TIGHTENING SET SCREWS AT TOP AND BOTTOM OF BACKPLATE WITH HEX WRENCH PROVIDED. NOTE: FIXTURE CAN BE MOUNTED VERTICALLY WITH THE SHADE FACING UP OR DOWN.
4. INSERT "CEILING FAN" LAMP(S) INTO LAMPHOLDER. DO NOT EXCEED MAXIMUM RATED WATTAGE ON LABEL.
5. ALIGN SHADE OVER HARP AND SECURE INTO PLACE WITH THE THREADED CUBE FINIAL.

BOYD LIGHTING COMPANY	944 FOLSOM STREET	SAN FRANCISCO	CALIFORNIA	94107
	TEL 415.778.4300	FAX 415.778.4319	WWW.BOYDLIGHTING.COM	