

Instructions for Installation:
 C-10193 Cosmo Pendant (20")
 C-10194 Cosmo Pendant (26")
 C-10195 Cosmo Pendant (35")

Lamping Specifications:
 Incandescent: Medium Base,
 Four A-19, 60w Max

IMPORTANT! AT ALL TIMES WIRING TO BE DONE PER NATIONAL ELECTRIC CODES (NEC) OR APPLICABLE LOCAL CODES

IMPORTANT | CAUTION
READ ALL INSTRUCTIONS THOROUGHLY.
TURN OFF POWER AT CIRCUIT BREAKER OR FUSE BOX BEFORE PROCEEDING.

Step 1 Remove fixture from packaging. Avoid using a sharp blade on the packaging, as doing so may result in damage to the fixture or finish.

Step 2 Carefully attach the suspension stems onto the frame of the Cosmo housing assembly. Use care not to damage the finish. Use an allen wrench to thread the set screws through the swivel ball and securely fasten the suspension stems. (Figure 1)

Step 3 Attach the stems to the upper canopy assembly and securely fasten into position with the set screws. (Figure 2)

Step 4 Turn off power to circuit at fuse box/circuit breaker. Attach the universal mounting strap with appropriate hardware to the junction box located in the ceiling. (Figure 2)

Step 5 Carefully lift the fixture assembly up to the junction box and align the hardware in the mounting strap with the holes in the canopy assembly. Attach the copper ground wire on the canopy to the ground location at junction box (if applicable) Secure canopy into position with thumb nuts or similar hardware. (Figure 2)

Step 6 Maneuver the socket cluster assembly into the center of the fixture assembly and prepare to make wire connections between the fixture and power supply wires. Connect the white fixture wire to the neutral supply wire; typically white, connect the black fixture wire to the hot supply wire; typically black, connect the copper fixture wire to the ground wire and/or the ground terminal in the outlet box. Push all connections inside of junction box. (See Figure 4)

Step 7 Align the holes in the access cover with the threaded studs located on the canopy assembly. Carefully lift the lamp cluster assembly up towards the canopy and secure the access cover into position with decorative knobs.

Step 8 Install lamps per label recommendations. To create a unique look for the fixture consider using a nostalgic or Edison style lamp.

Step 9 Restore power to circuit

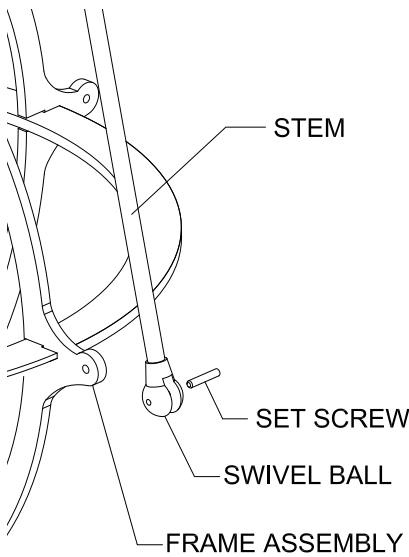


Figure 1

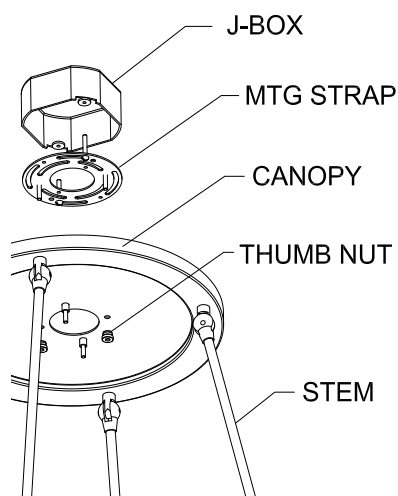
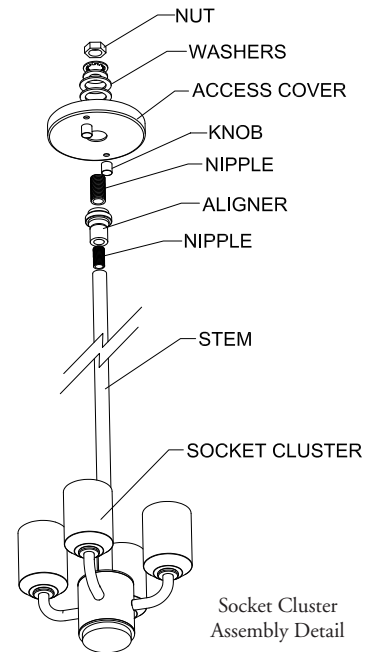


Figure 2

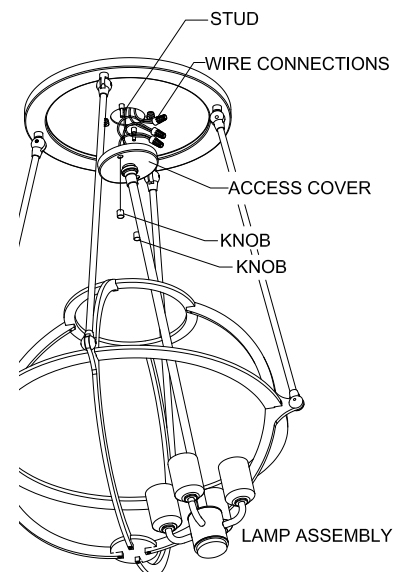


Figure 4