

Instructions for Installation:

C10435 Cadence FLO I

Lamping Specifications:

Fluorescent
Input 120, 277volt
Two, CFS10W/GR10q-4

Instructions for Installation:

C10436 Cadence FLO II

Lamping Specifications:

Fluorescent
Input 120, 277volt
Two, CFS10W/GR10q-4

IMPORTANT! AT ALL TIMES WIRING TO BE DONE PER NATIONAL ELECTRIC CODES (NEC) OR APPLICABLE LOCAL CODES

**IMPORTANT | CAUTION
READ ALL INSTRUCTIONS THOROUGHLY.
TURN OFF POWER AT CIRCUIT BREAKER OR FUSE BOX BEFORE PROCEEDING.**

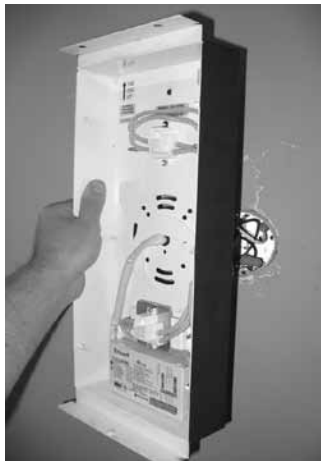


Figure 1

Step 1 Remove fixture from packaging. Avoid using a sharp blade on the packaging as doing so may result in damage to the fixture or finish.

Step 2 Turn off power to circuit at fuse box/circuit breaker.

Step 3 Remove decorative diffuser housing assembly. The housing assembly is attached to the backplate and secured with a cap head screw located at the bottom of the fixture.

Step 4 Make wire connections between the fixture and power supply wires. Connect the white fixture wire to the neutral supply wire; typically white, connect the black fixture wire to the hot supplywire; typically black, connect the copper fixture wire to the ground wire and/or the ground terminal in the outlet box. Push all connections inside of junction box. (Fig 1)



Figure 2

Step 5 Install backplate into position over the J-box. Secure the backplate to the outlet box. There are additional holes for mounting the fixture backplate to the wall. Use wall anchors or similar hardware for additional support. (Fig 2)

Step 6 Install 2D FL lamps per relamp label instruction.

Step 7 Install decorative housing assembly by carefully aligning the housing alignment pins with top holes in the backplate. Carefully lower the housing into position. (Fig 3)

Step 8 Secure the decorative housing to the backplate with a cap head machine screw. (Fig 4)

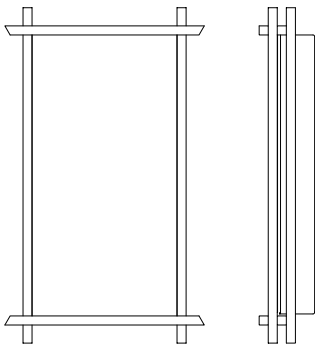
Step 9 Restore power to circuit.



Figure 3



Figure 4



Instructions for Installation:

C10438 Cadence LED I
C10439 Cadence LED II

Lamping Specifications:

LED
Input 120-277v

IMPORTANT! AT ALL TIMES WIRING TO BE DONE PER NATIONAL ELECTRIC CODES (NEC) OR APPLICABLE LOCAL CODES

**IMPORTANT | CAUTION
READ ALL INSTRUCTIONS THOROUGHLY.
TURN OFF POWER AT CIRCUIT BREAKER OR FUSE BOX BEFORE PROCEEDING.**

Step 1 Carefully unpack fixture and remove shade assembly from electrical housing. To remove the shade assembly, locate and remove the lower screw that retains the bottom bar of the shade assembly. Carefully remove screw and separate decorative shade assembly from electrical housing by pulling the lower portion out and lifting the shade assembly from the housing. (See Figure 1)

Step 2 Remove the four thumb screws that retain the internal reflector to provide access to the mounting locations and internal electrical components. (See Figure 2)

Step 3 Turn off power at the circuit before proceeding. Make wire connections: connect black fixture wire to black supply wire (load typical); white fixture wire to white supply wire (neutral); attach fixture ground wire to ground wire or ground screw.

FOR DIMMING APPLICATION: If this fixture has been wired for low voltage (0-10v) dimming use in conjunction with a compatible 0-10v dimmer control. Dimmer controls that are compatible with 0-10v dimming are available from leading companies such as Lutron, Leviton and Lightolier. These controls are sometimes referred to as 5 wire dimming.

What is 0-10v (zero to ten volt) dimming?
Used as an early fluorescent dimming system and still used today, 0-10v dimming has been adapted to become a reliable LED dimming control protocol. 0-10 volt is one of the earliest and simplest electronic lighting control signaling systems; simply put, the control signal is a DC voltage that varies between zero and ten volts. The controlled lighting should scale its output so that at 10 volts, the controlled light should be at 100% of its potential output, and at 0 volts it should be at the lowest possible dimming level.

Step 4 Connect dimming control wires. Attach the Purple wire to the positive (+) dimmer control wire. Connect the Gray wire to the negative (-) dimmer control wire. Use wire connectors provided and push all connections inside the outlet box. (See Wiring Diagram on page 2)

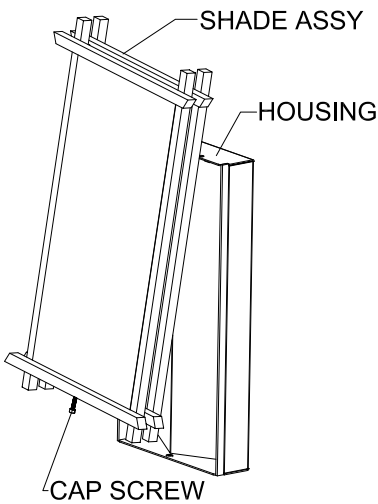


Figure 1

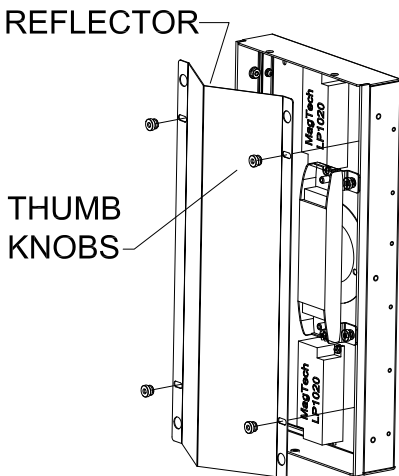


Figure 2

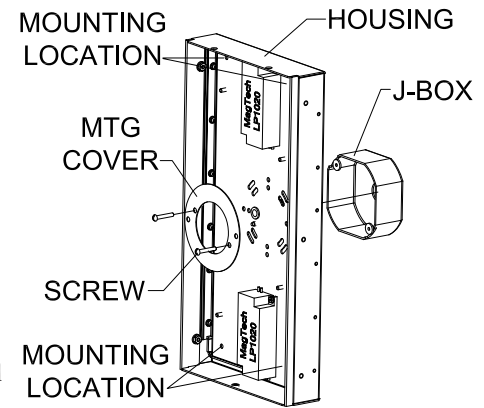


Figure 3

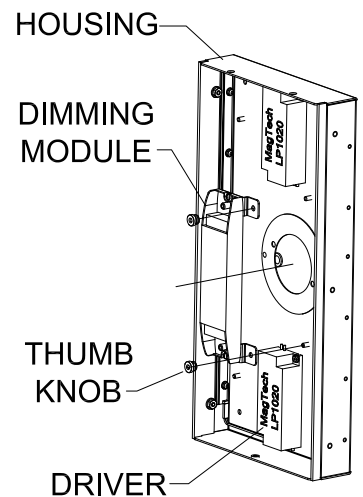


Figure 4

BOYD

Step 5 Remove thumb screws from the dimming module bracket (if applicable) and lift away from the center mounting holes. Lift electrical housing into position over the junction box. Orient the cover ring so the holes line up with the housing and the threaded holes in the junction box. Attach fixture housing to the outlet box using screws provided. (See Figures 3 and 4)

Note: Due to the weight of this fixture it is recommended to use additional hardware and attach the fixture to the wall at the four additional mounting locations. (See Figure 3)

Step 6 Replace the dimming module and bracket (if applicable) into position and secure with thumb knobs. Make sure that none of the wire connectors have been disconnected at the LED modules. These connectors are delicate and can be disconnected if disturbed. (See Figure 5)

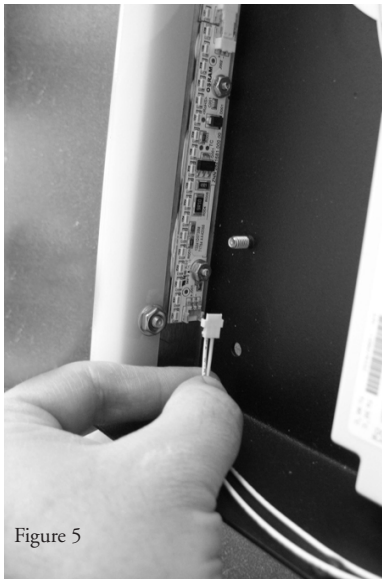


Figure 5

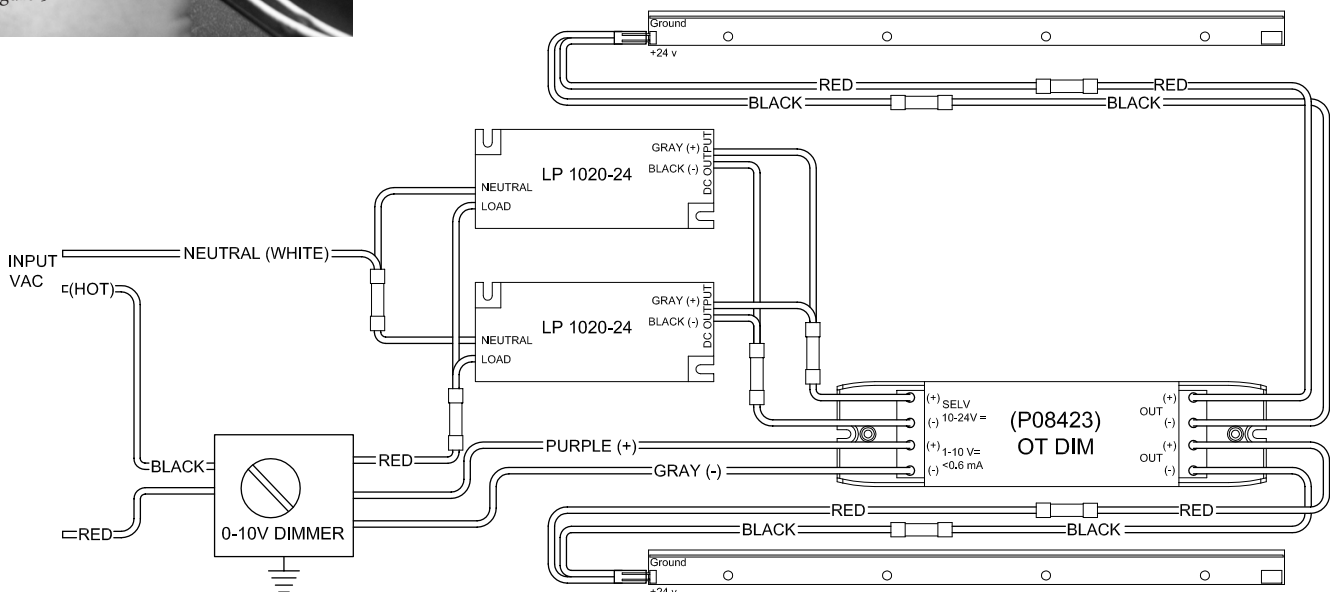


Figure 6

Step 7 Install the reflector, be careful not to damage the wire connectors or insulation on wire leads that provide power to the LED modules. Secure reflector into position with thumb knobs. (See Figure 2)

Step 8 Install decorative shade assembly. Position the top portion of the shade assembly towards the upper shelf of the fixture housing at a slight angle and align the posts in the shade with the holes in the top of the housing. Carefully lower the shade assembly and press the bottom of the shade assembly towards the fixture housing. Secure into position with cap head machine screw. (See Figure 1 and 6)

Step 9 Restore power to circuit and illuminate light fixture.



C10439 LED DIMMING WIRING DIAGRAM 12.06.13