

**Instructions for Installation:**

C-10506 Grasse Sconce  
 C-10507 Grasse ADA Sconce

**Lamping Specifications:**

Standard Sconce  
 Incandescent: One, B-10 60w Max  
 ADA Sconce  
 Incandescent: One, B-10 40w Max

**IMPORTANT! AT ALL TIMES WIRING TO BE DONE PER NATIONAL ELECTRIC CODES (NEC) OR APPLICABLE LOCAL CODES**

**IMPORTANT | CAUTION  
 READ ALL INSTRUCTIONS THOROUGHLY.  
 TURN OFF POWER AT CIRCUIT BREAKER OR FUSE BOX BEFORE PROCEEDING.**

Step 1 Carefully remove fixture from packaging. To avoid damage to the fixture be careful using a knife to open box. Handle the fixture with care as the body of the fixture is made of hand blown glass.

Step 2 Attach Universal Mounting Strap to outlet box if necessary. Attach Flared Mounting Ring to Mounting Strap or the outlet box.

Step 3 Make wire connections: connect black fixture wire to black supply wire (load typical); white fixture wire to white supply wire (neutral); attach fixture ground wire to ground wire or ground screw. Use wire connectors provided and push connections inside outlet box.

Step 4 Orient the fixture back plate over the Flared Mounting Ring.

Step 5 Tighten set screw on top and bottom of back plate with included hex wrench. Make sure that the fixture back plate is securely attached to the mounting ring.

Step 6 Remove top Shade Ring and install the Shade onto the fixture socket.

Step 7 Reinstall Shade Ring snugly against the Shade.

Step 8 Install lamp into socket per label recommendations.

Step 9 Restore power to circuit and illuminate lamps.

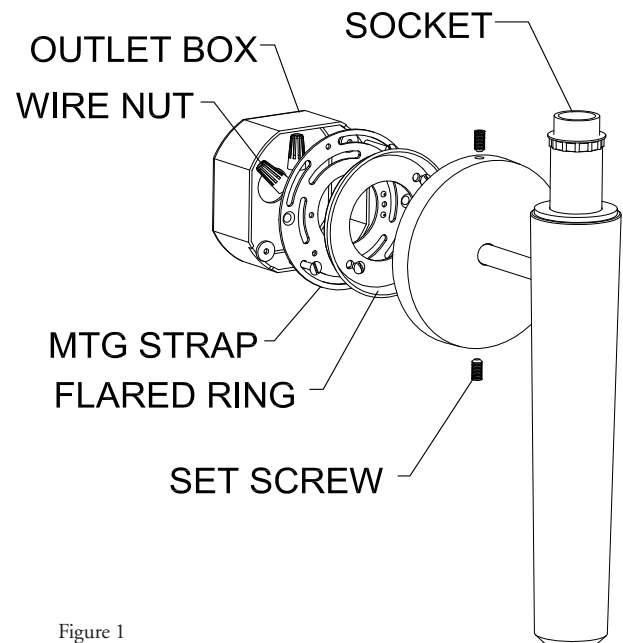
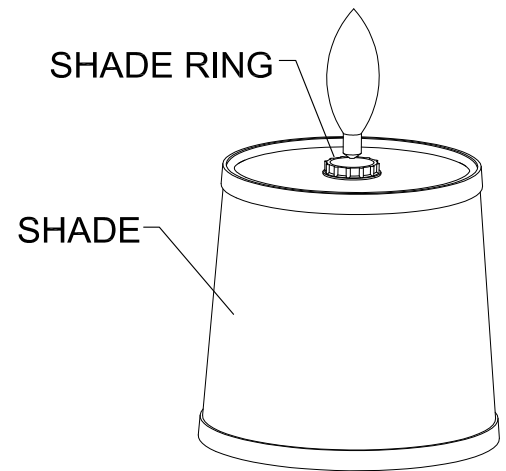


Figure 1