

BOYD

Instructions for Installation:

C-10530 Miami Sconce
C-10531 Miamicita Sconce

Lamping Specifications:

Miami 120-277V 36W (Max) LED Strips
Miamicita 120-277V 24W (Max) LED Strips

**IMPORTANT! AT ALL TIMES
WIRING TO BE DONE PER
NATIONAL ELECTRIC CODES
(NEC) OR APPLICABLE LOCAL
CODES
IMPORTANT | CAUTION
READ ALL INSTRUCTIONS
THOROUGHLY. TURN OFF POWER
AT CIRCUIT BREAKER OR FUSE
BOX BEFORE PROCEEDING.**

Step 1: Remove the fixture from packaging. Avoid using a sharp blade on the packaging, doing so may result in damage to the fixture or finish.

Step 2: Turn off power at the breaker / fuse box. Locate the MOUNTING BRACKET and prepare to make wire connections between the leads from the outlet box and the AC input wires to the FIXTURE. (See page two for additional information regarding the wiring of LED fixture with optional 0-10V dimming.) Use the supplied DRY WALL ANCHORS to securely attach bracket to the wall. Attach the MOUNTING BRACKET to the junction box. Ensure the bracket is aligned vertically. Figure 1

Step 3: Connect the white fixture wire to the neutral supply wire; typically white, connect the black fixture wire to the hot supply wire; typically black, connect the copper fixture wire to the ground wire and/or the ground terminal in the outlet box. Use the supplied connectors and push the connections inside the junction box.

Step 4: Hook the top of the FIXTURE onto the MOUNTING BRACKET at the TOP LIP. Carefully hold FIXTURE in place until step 5 is completed.

Step 5: Tighten the ALLEN SCREW at the bottom of the FIXTURE. The ALLEN SCREW will capture onto the BOTTOM LIP of the MOUNTING BRACKET. Check for secure mounting of the FIXTURE. Figure 2

Step 6: Restore power at the breaker / fuse box.

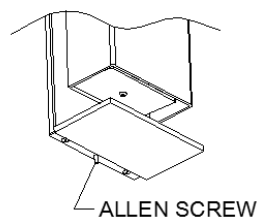
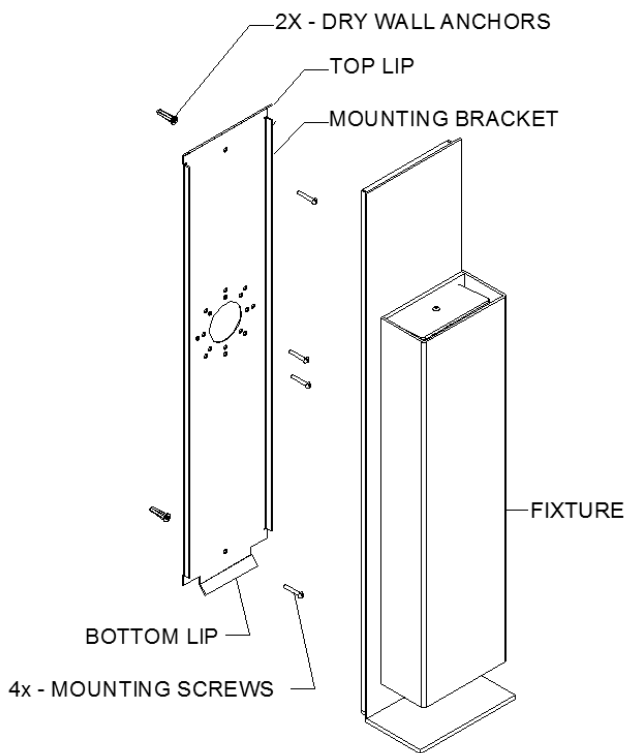
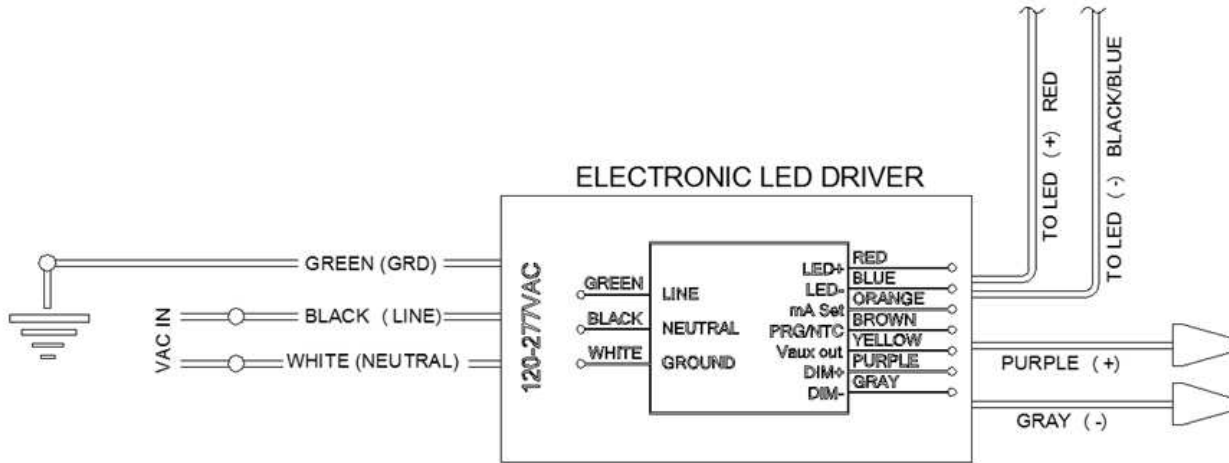


Figure 2

Figure 1

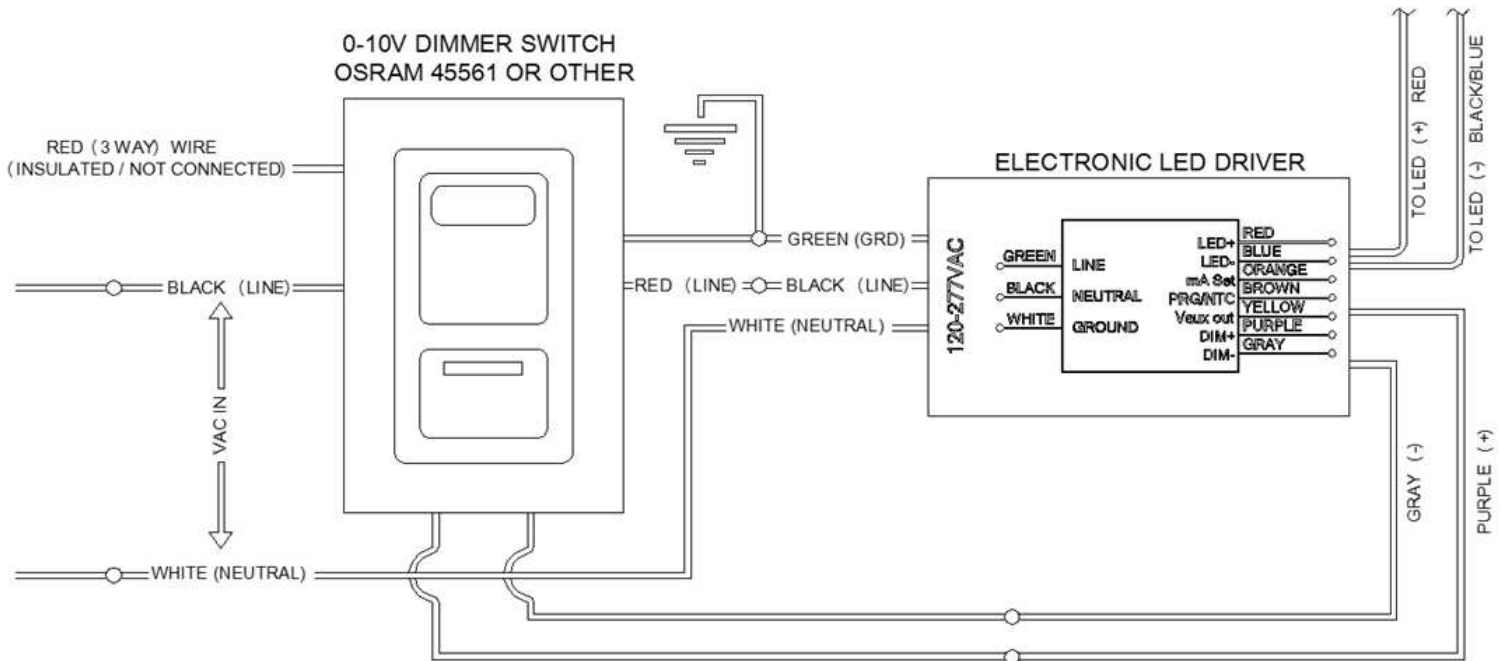
Note: This fixture is wired for a 0-10V low voltage dimming option. If dimming is not required, wire the fixture per figure 3. For the dimming option, wire the fixture per figure 4.



**NON-DIMMING WIRING DIAGRAM
(NOT CONNECTED TO DIMMER SWITCH)**

PURPLE (+) AND GRAY (-) CONTROL WIRES ARE FOR 0-10V LOW VOLTAGE DIMMING OPTION:
 - DO NOT CONNECT TO LINE VOLTAGE
 - IF NOT USED, LEAVE CAPPED

Figure 3



**0-10V DIMMING WIRING DIAGRAM
(CONNECTED TO DIMMER SWITCH)**

Figure 4