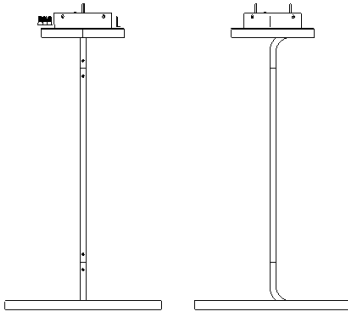


Instructions for Installation:

- C-10620 16" Hoopla Pendant
- C-10621 24" Hoopla Pendant

Lamping Specifications:

- LED, Circular strips, Integral
- Integral 120-277V Driver
- 10620 – 28 Watts Max.
- 10621 – 36 Watts Max.
- 0-10V Low Voltage Dimming



IMPORTANT! AT ALL TIMES WIRING TO BE DONE PER NATIONAL ELECTRIC CODES (NEC) OR APPLICABLE LOCAL CODES

**IMPORTANT | CAUTION !!
READ ALL INSTRUCTIONS THOROUGHLY.
TURN OFF POWER AT CIRCUIT BREAKER OR FUSE BOX BEFORE PROCEEDING.**

Step 1: Remove fixture from packaging. Avoid using a sharp blade on the packaging, as doing so may result in damage to the fixture or finish.

Step 2: Turn off power to circuit at fuse box/circuit breaker.

Step 3: Install the Mounting Bracket to the ceiling J-Box with the 2 included Mounting Screws. Figure 1

Step 4: Remove the Canopy Plate in preparation to running LED Wires thru the Stem and into the Driver Compartment. Figure 2 Route the LED Wires from the Lower LED Ring thru the Stem, Upper 8-1/2" Diameter Ring, Canopy Plate and into the Driver Compartment thru the large round holes. Re-attach the Canopy Plate – maintain the orientation of the large hole in the Canopy Plate to the Upper Ring Stem. Figures 3 & 4

Remove the 4 Stem Retainer Screws and slide the Upper and Lower Rings onto the Stem – maintain alignment of curved portions of the Rings and re-install the 4 Stem Retainer Screws. Figure 5

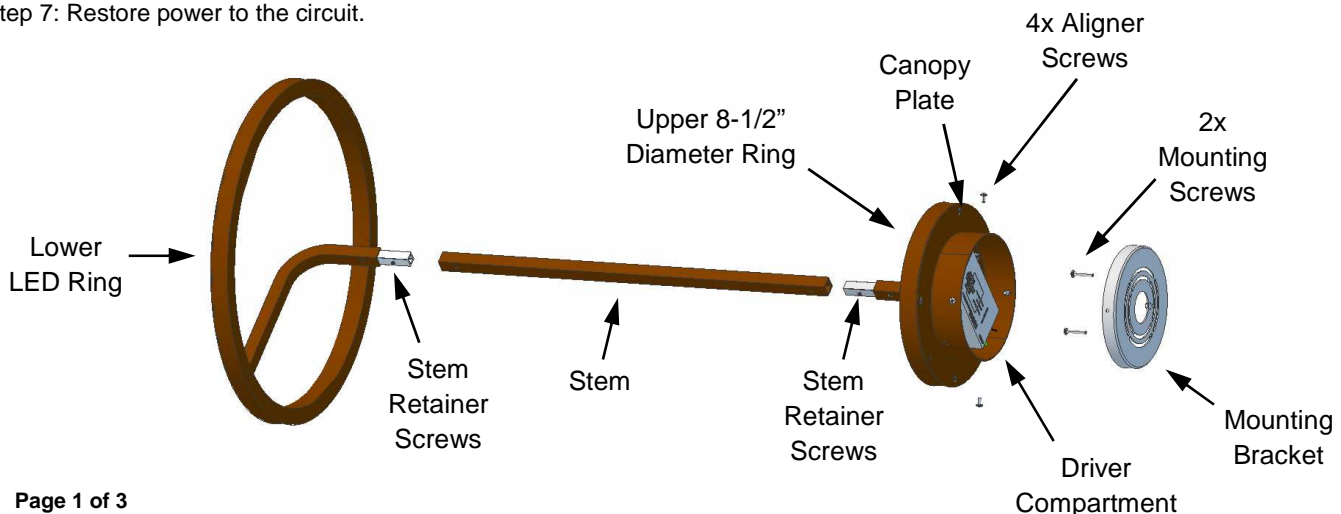
WARNING – DO NOT CONNECT THE WHITE/BLACK LOW VOLTAGE (41 VDC MAX.) DRIVER LED WIRES TO THE WHITE/BLACK HIGH VOLTAGE (120-277 VAC) WIRES OR THE POWER SUPPLY WIRES. THIS WILL RESULT IN COMPLETE FAILURE AND DAMAGE TO THE LED STRIPS. FIGURES 7 & 8

Step 5: Connect the LED Wires to the Low Voltage Red/Blue Low Voltage Driver Wires. Driver Red (pos) to LED Black (pos) , Driver Blue/Black (neg) to LED White (neg). Figure 4

Step 6: Install the Fixture. Attach the Black/White 120-277V Driver Input Power Wires to the Power Supply Wires of the J-Box using the supplied Wire Nuts. Connect the white fixture wire to the neutral supply wire (typically white); connect the black fixture wire to the hot supply wire (typically black); connect the green (or copper) fixture wire to the ground wire and/or the ground terminal in the outlet box. If dimming is required attach the Purple/Gray 0-10V Driver Wires to the dimming circuit wires. Refer to figures 7 & 8 for dimming options and schematics. Push all connections inside of junction box.

Place Fixture onto the Mounting Bracket and install the 4 color matched Aligner Screws. Figure 6 Check for alignment of the Stem for plumb and tighten the Aligner Screws once the Fixture is plumb and the Lower LED Ring is level.

Step 7: Restore power to the circuit.



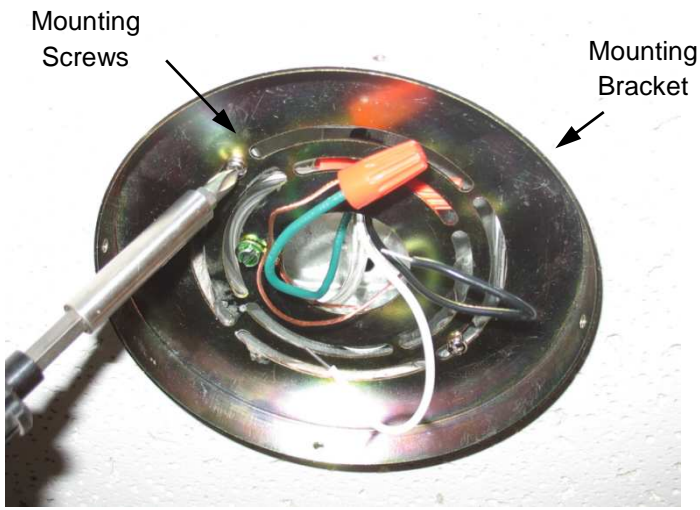


Figure 1

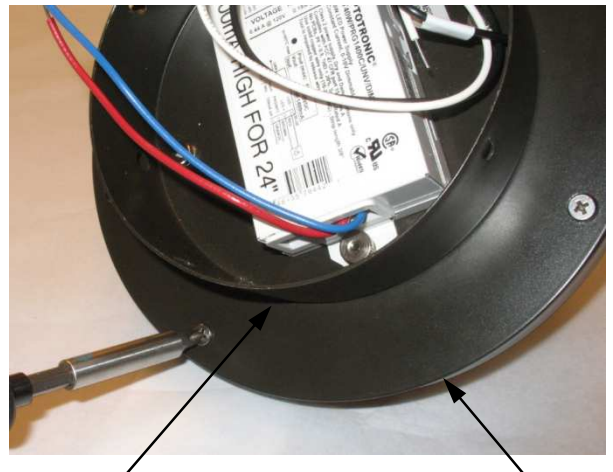


Figure 2

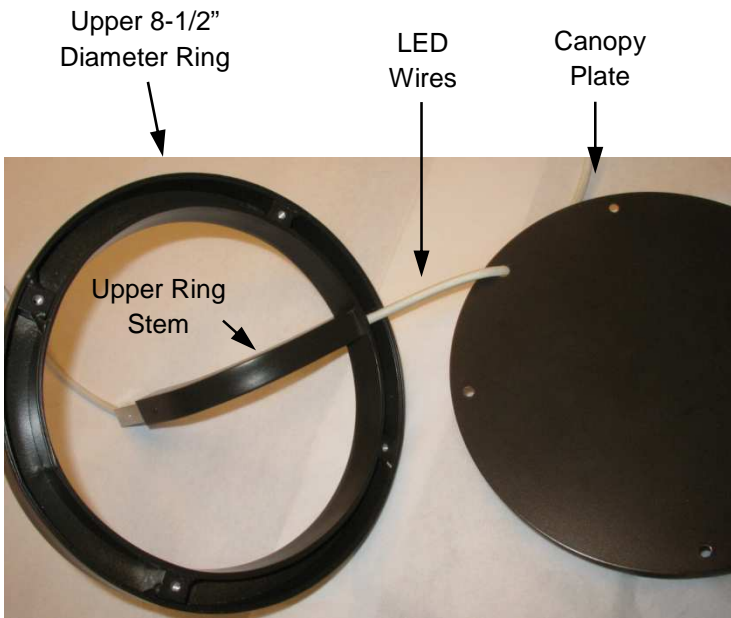


Figure 3

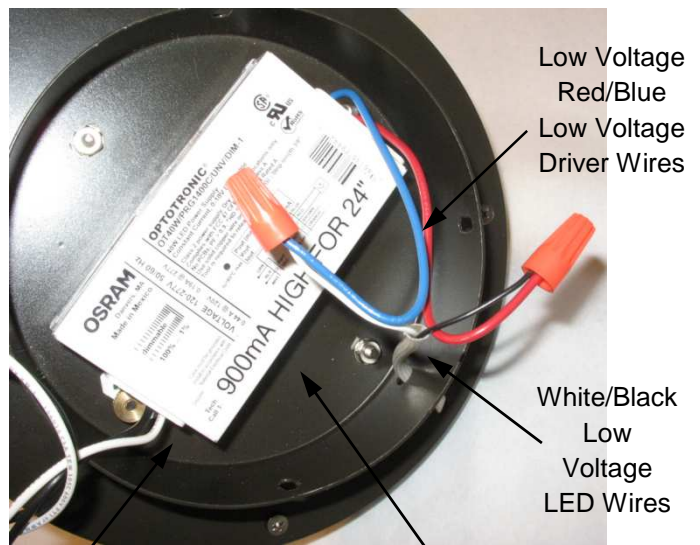


Figure 4

Black/White 120-277V
Driver Input Power Wires

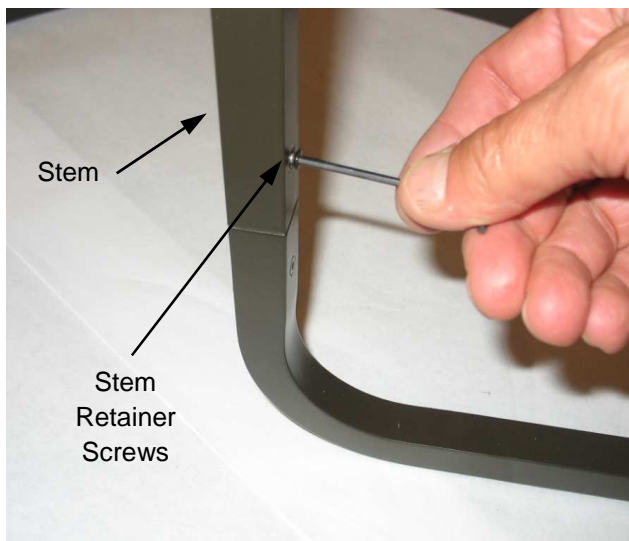


Figure 5

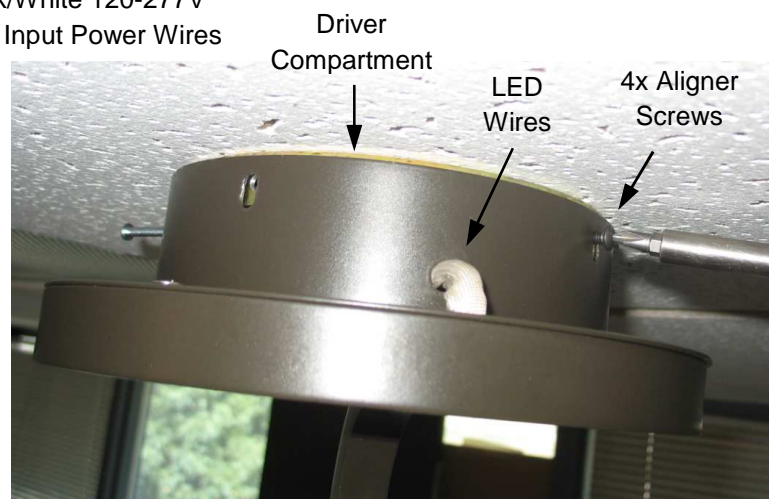
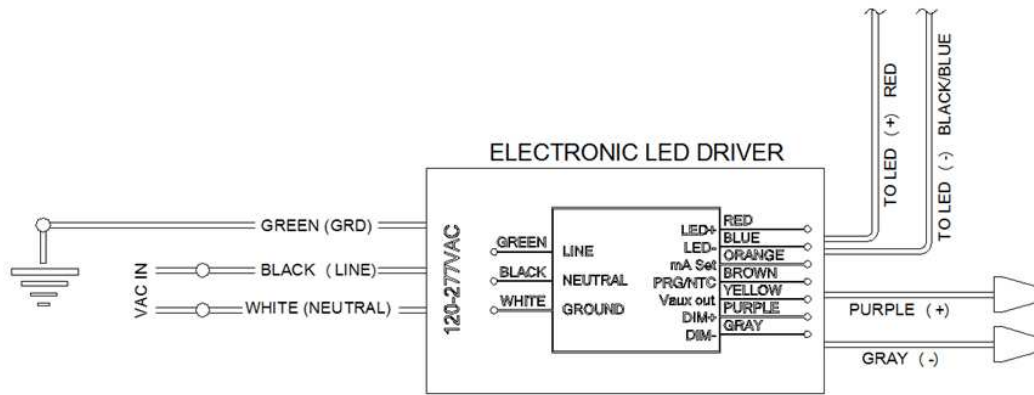


Figure 6

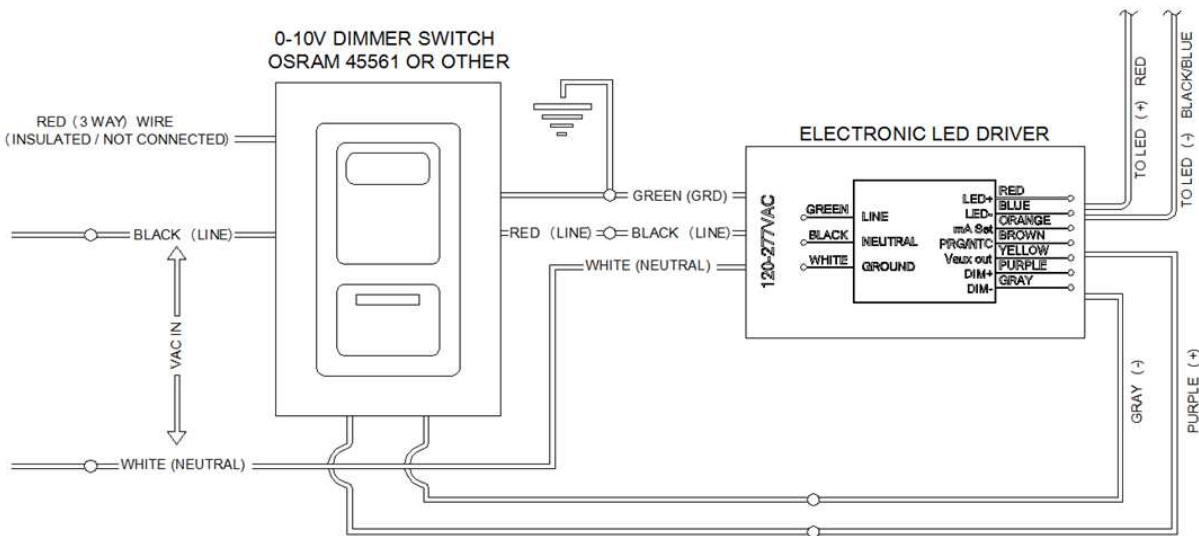
Note: This fixture is wired for a 0-10V low voltage dimming option. If dimming is not required, wire the fixture per figure 7. For the dimming option, wire the fixture per figure 8.



NON-DIMMING WIRING DIAGRAM
(NOT CONNECTED TO DIMMER SWITCH)

PURPLE (+) AND GRAY (-) CONTROL WIRES
ARE FOR 0-10V LOW VOLTAGE DIMMING OPTION:
- DO NOT CONNECT TO LINE VOLTAGE
- IF NOT USED, LEAVE CAPPED

Figure 7



0-10V DIMMING WIRING DIAGRAM
(CONNECTED TO DIMMER SWITCH)

Figure 8