



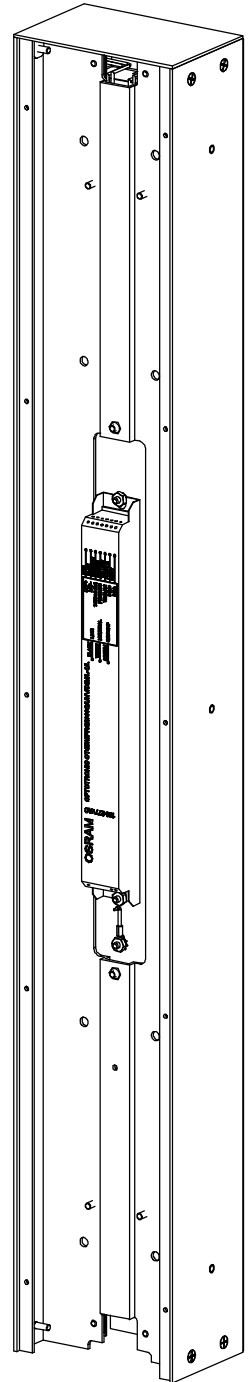
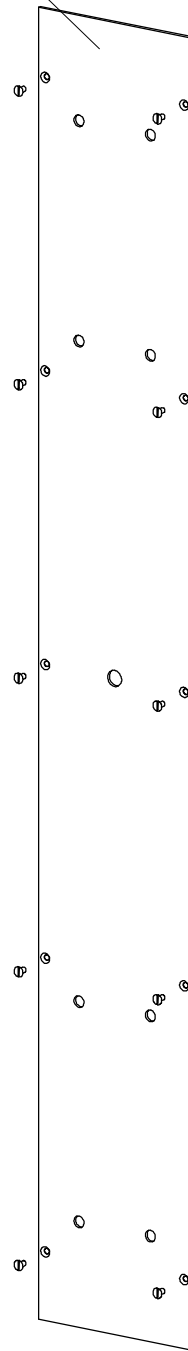
C-10673
 C-10674
 C-10675
 C-10676
 Elements LED In-Wall Sconces

IMPORTANT | CAUTION:
 READ ALL INSTRUCTIONS BEFORE THOROUGHLY
 BEFORE PROCEEDING. TURN OFF POWER AT
 CIRCUIT BREAKER OR FUSE BOX BEFORE
 PROCEEDING.

INSTALLATION: ELEMENTS LED IN-WALL SCONCE

1. Carefully remove fixture from packaging. To avoid damage, do not use a knife or other sharp instruments.
2. Lay fixture upside down on a padded surface such as a table. Using a screwdriver, loosen the small screws holding the metal back panel in place. Remove panel.
3. Using a screwdriver, loosen the four screws holding the conduit end cap to the fixture. Remove.
4. With conduit end cap removed, attach a 1/2" Romex Connector (*not included*) into the hole on the end cap and securely tighten with nut on reverse side. Insert Romex cable through connector and tighten clamping screws. Strip ends of Romex cable. Using supplied wire connectors, connect black fixture wire to the hot supply wire (typically black); connect white fixture wire to the neutral supply wire (typically white); connect the copper fixture wire to the ground wire or ground terminal at the outlet box. Push connections inside of fixture housing and re-secure conduit end cap to fixture. Re-attach back panel.

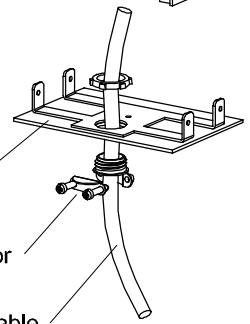
Back Panel



Conduit End Cap

Romex Connector

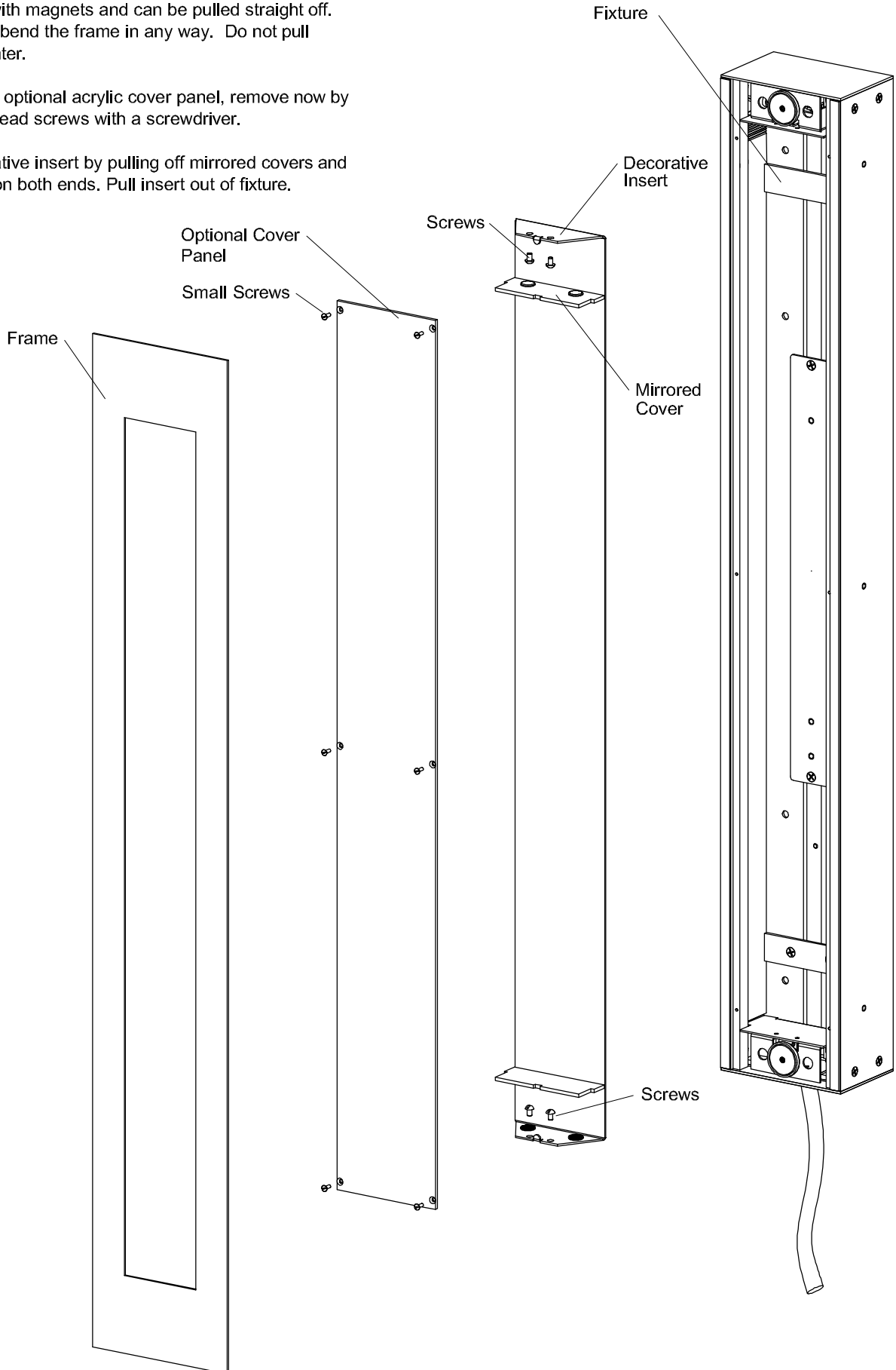
Romex Cable



5. Flip fixture over. Carefully remove frame from housing. Frame is held on with magnets and can be pulled straight off. Use caution not to bend the frame in any way. Do not pull frame from the center.

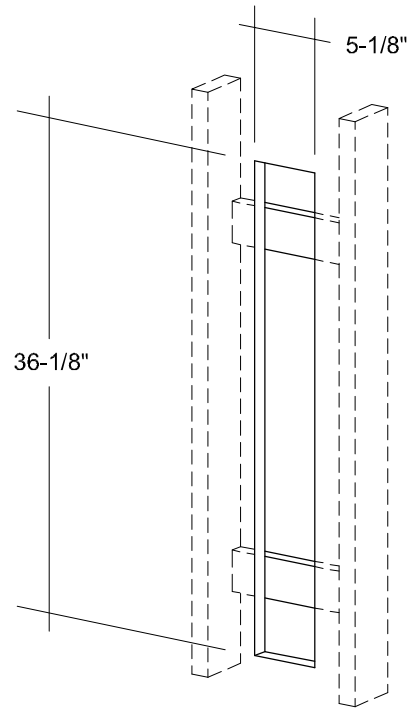
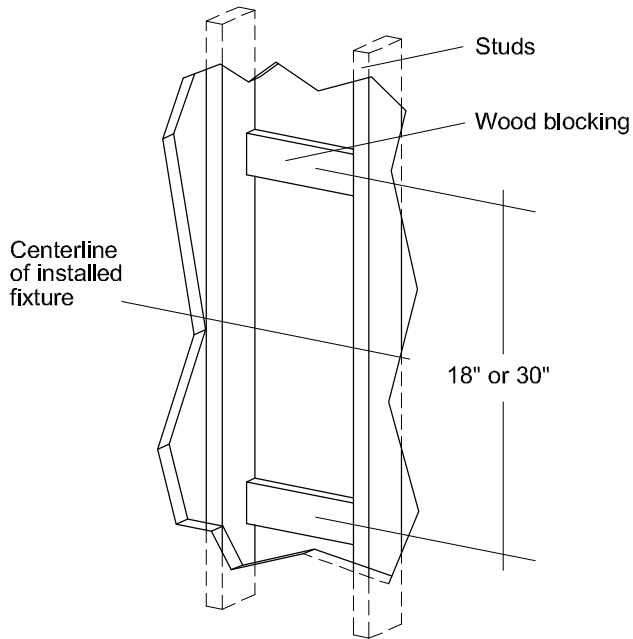
6. If fixture has an optional acrylic cover panel, remove now by loosening small flat-head screws with a screwdriver.

7. Remove decorative insert by pulling off mirrored covers and loosening screws on both ends. Pull insert out of fixture.



8. Install wood blocking in area where fixture will attach inside wall (drywall shown cut-away for illustration purposes). Blocking should be placed so that mounting screws spaced either 18" or 30" apart will insert securely into wood. Use fixture housing as a guide if necessary. Face of blocking should be no less than 3-1/4" from front face of drywall to ensure that the fixture housing does not extend beyond the drywall.

9. Cut opening in finished wall. Opening should be $36 \frac{1}{8}$ " by $5 \frac{1}{8}$ " for proper fit.



10. For optimal heat dissipation, carefully insert fixture into wall opening with Romex connector on the bottom end.

11. Be sure face of housing does not extend beyond drywall face. Secure fixture to blocking using supplied wood screws, or appropriate fasteners for your particular style of installation.

12. Re-secure the decorative insert that was originally removed in Step #7. Be sure to re-attach mirrored covers on both ends.

13. Attach optional cover panel if one is included.

14. For the final step, insert frame back into housing. Align studs on back of frame with holes in housing. Magnets will pull frame securely onto housing.

15. Turn power back on at circuit breaker.

