

INSTALLATION INSTRUCTIONS

C-10680 Capricorn Sconce



IMPORTANT!

AT ALL TIMES WIRING TO BE DONE PER NATIONAL ELECTRICAL CODES (NEC) OR APPLICABLE LOCAL CODES. READ ALL INSTRUCTIONS THOROUGHLY. TURN OFF POWER AT CIRCUIT BREAKER OR FUSE BOX BEFORE PROCEEDING.

STEP 1

- Carefully remove fixture from packaging. Avoid using a sharp blade on the packaging, as doing so may result in damage to the fixture, shade, or finish.

STEP 2

- Turn off power at fuse box or circuit breaker.

STEP 3

- Remove mounting disk. Secure to outlet box with screws provided. (Figure 1)
- Studs protruding from mounting disk should be horizontal and level. Adjust if necessary.
- Temporarily place sconce over mounting disk and mark upper backplate hole location with pencil.
- Remove sconce. Install wall anchor at pencil mark.



Figure 1

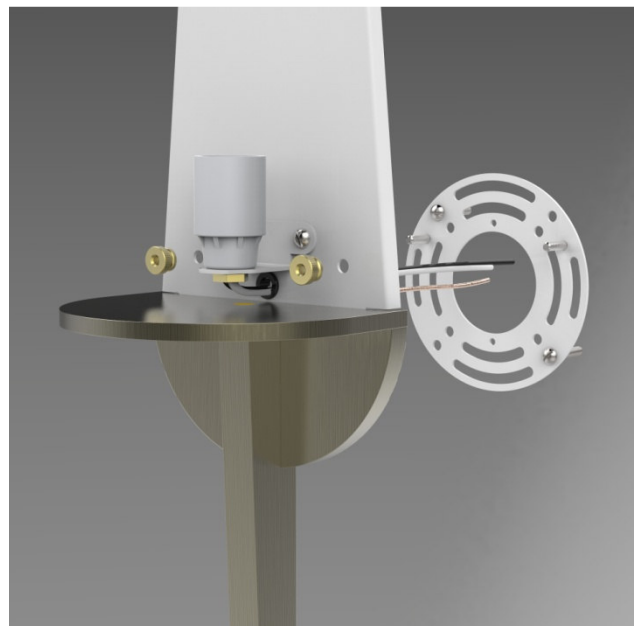


Figure 2

STEP 4

- Make wire connections using twist-on connectors. (Figure 2)
- Connect the white fixture lead to the neutral supply wire (typically white).
- Connect the black fixture lead to the hot supply wire (typically black).
- Connect the copper fixture wire to the ground wire or ground terminal in the outlet box.
- Push all connections inside the outlet box.

STEP 5

- Mount sconce to wall by aligning over studs, and tightening knurled knobs. (Figure 3)
- Secure screw into wall anchor at top of backplate.

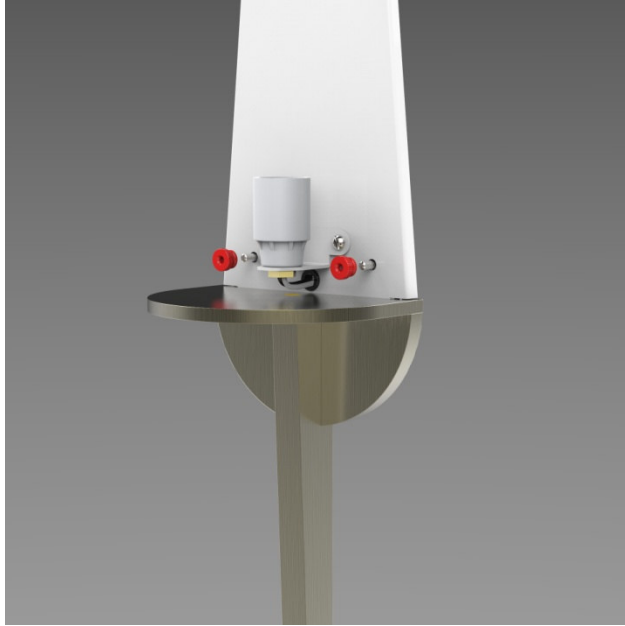


Figure 3



Figure 4

STEP 6

- Install lamp into socket. See fixture label for maximum wattage rating. (Figure 4)



Figure 5



Figure 6

STEP 7

- Install shade onto sconce. (Figure 5)
- Secure with threaded white cap.

STEP 8

- Install top cap above shade. (Figure 6)
- Secure in place with color-matched screw.



Figure 7

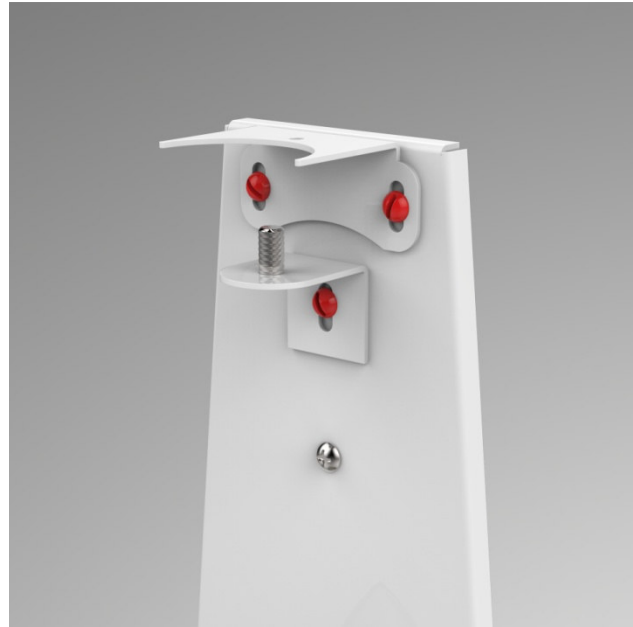


Figure 8

STEP 9

- The metal caps (shown in red) at top and bottom of shade should be evenly exposed. (Figure 7)

STEP 10

- Shade and top cap positions can be adjusted by loosening the bracket screws (shown in red).
- After adjusting one or both brackets, re-tighten screws.