

C-10688
 C-10689
 C-10690

Totem Pendants

IMPORTANT | CAUTION:
 READ ALL INSTRUCTIONS BEFORE THOROUGHLY
 BEFORE PROCEEDING. TURN OFF POWER AT
 CIRCUIT BREAKER OR FUSE BOX BEFORE
 PROCEEDING.

INSTALLATION: TOTEM PENDANTS

1. Carefully remove fixture from packaging. To avoid damage, do not use a knife or other sharp instruments.

CRITICAL: WHEN REMOVING PENDANT FROM BOX, SUPPORT FIXTURE WITH TWO HANDS. STEM ASSEMBLY IS DELICATE AND CAN BE PERMANENTLY BENT. USE ONE HAND TO SUPPORT FIXTURE NEAR THE MIDDLE, AND USE OTHER HAND TO SUPPORT TOP OF THE FIXTURE, NEAR CANOPY.

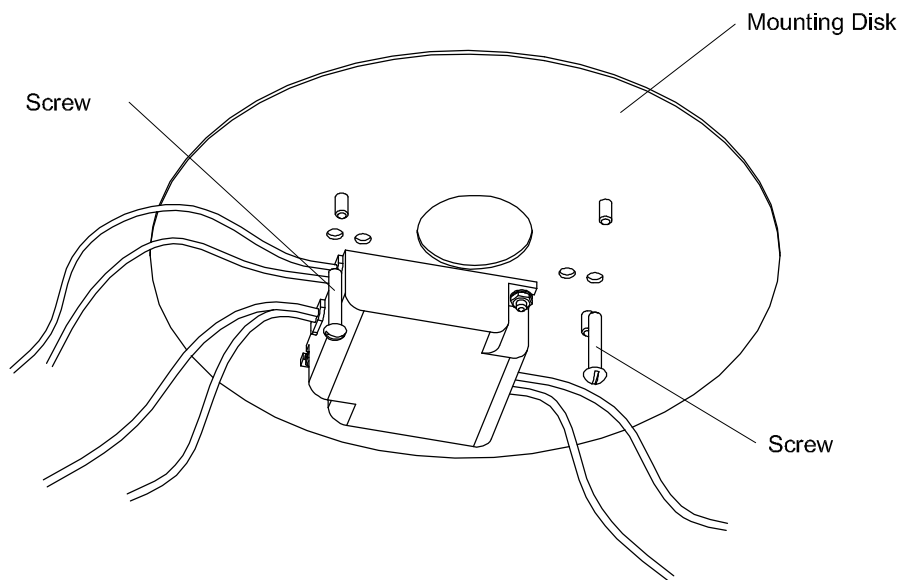
2. Remove mounting disk from pre-assembled pendant. Unthread swivel ring and lower the canopy. Loosen the two brass thumb knobs which hold the mounting disk onto the fixture. Secure mounting disk to ceiling outlet with included 8-32 screw.

3. With included twist-on wire connectors, connect black fixture wire to hot supply wire (typically black); connect white fixture wire to neutral supply wire (typically white).

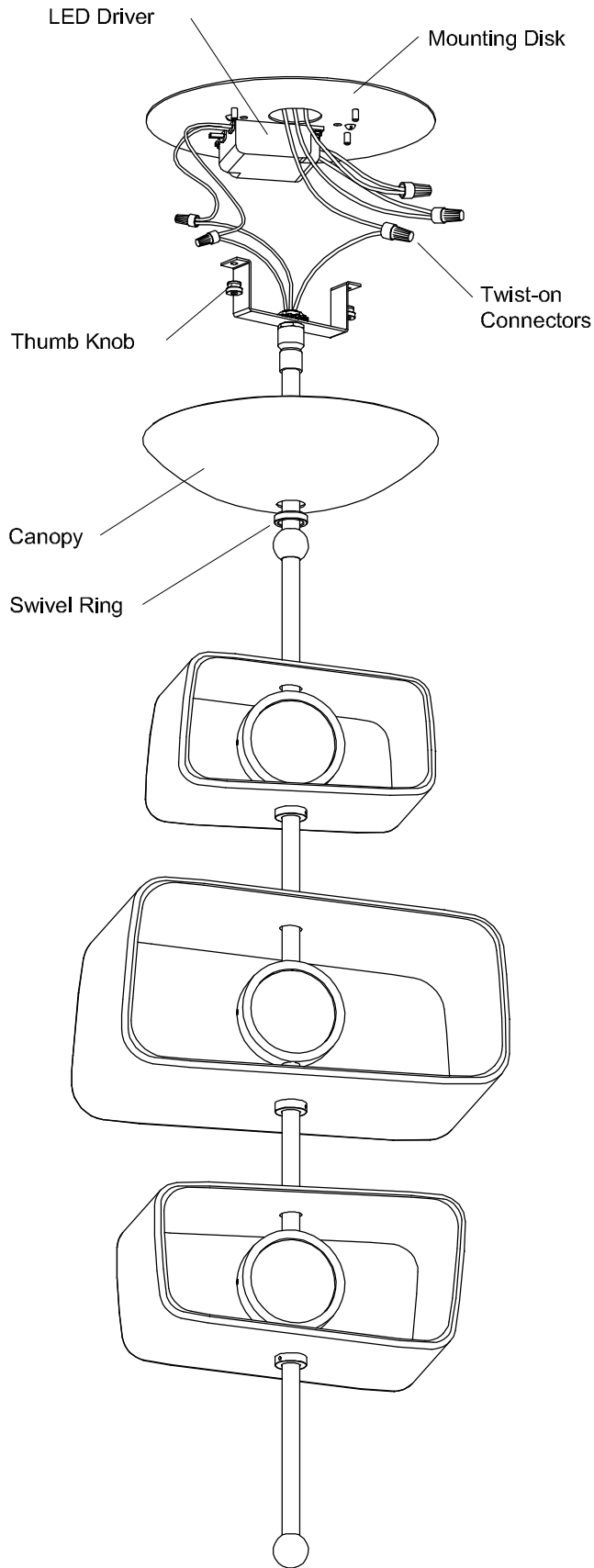
4. If fixture is to be dimmed using a 0-10 Volt dimmer switch, connect purple fixture wire to purple supply wire. Connect gray fixture wire to gray supply wire. If there is no intent to dim the fixture, the purple and gray wires should be capped off and not used.

5. Carefully lift fixture and secure to mounting disk using the two brass thumb knobs that were removed in Step #2.

6. With fixture hung on ceiling, connect the remaining wiring. Connect the copper fixture wire to the ground wire or ground terminal at the outlet box. Connect red fixture wire (+) to red LED driver wire (+). Connect black fixture wire (-) to black LED driver wire (-). Push all connections into the outlet box.



7. Gently slide canopy up stem. Secure into place with the threaded swivel ring.



8. Turn power back on at the circuit breaker.

