

THE KENTFIELD COLLECTION
 A DIVISION OF BOYD LIGHTING COMPANY
 MADE IN THE USA



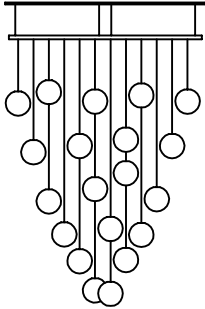
IMPORTANT: READ ALL INSTRUCTIONS THOROUGHLY BEFORE PERFORMING ANY WORK.

CAUTION: TURN OFF POWER AT CIRCUIT BREAKER OR FUSE BOX BEFORE PROCEEDING.

IMPORTANT! AT ALL TIMES WIRING TO BE DONE PER NATIONAL ELECTRIC CODES (NEC) OR APPLICABLE LOCAL CODES.

CAUTION: FIXTURE MUST BE SUPPORTED INDEPENDENTLY OF THE OUTLET BOX.

**K-0034-1
 CASCADE ROUND LUMINAIRE**



LAMPING SPECIFICATIONS:
 HALOGEN
 - 120 VOLT
 OR
 - 277 VOLT
 ONE, MRC-16, 50W MAX
 12 VOLT INTEGRAL TRANSFORMER
 36 DEGREE FLOOD LAMP WITH OPAQUE
 SILVER REFLECTOR RECOMMENDED.

INSTALLATION: CASCADE ROUND LUMINAIRE

1. CAREFULLY REMOVE FIXTURE FROM PACKAGING. TO AVOID DAMAGE, DO NOT USE A KNIFE OR OTHER SHARP INSTRUMENTS TO CUT THROUGH PACKAGING MATERIAL.
2. AS SHOWN IN FIG. 1, "LOOSELY" MOUNT FIXTURE TO CEILING OUTLET BOX AS SHOWN. USING A PENCIL OR PEN, MARK POSITIONS OF CEILING PLATE SUPPORT HOLES ONTO CEILING. BE SURE TO MARK BOTH SIDES..

CAUTION: SECONDARY METHOD OF SUPPORT SHOULD MEET LOCAL BUILDING CODES. THIS FIXTURE IS VERY HEAVY AND SHOULD ONLY BE MOUNTED BY A QUALIFIED INSTALLER. BE SURE THAT THE CEILING IS STRUCTURALLY SOUND BEFORE PROCEEDING, OR SERIOUS DAMAGE OR INJURY TO PERSON OR PROPERTY COULD RESULT.

NOTE: FOR ILLUSTRATION PURPOSES, DRAWING DETAILS HAVE BEEN SIMPLIFIED.

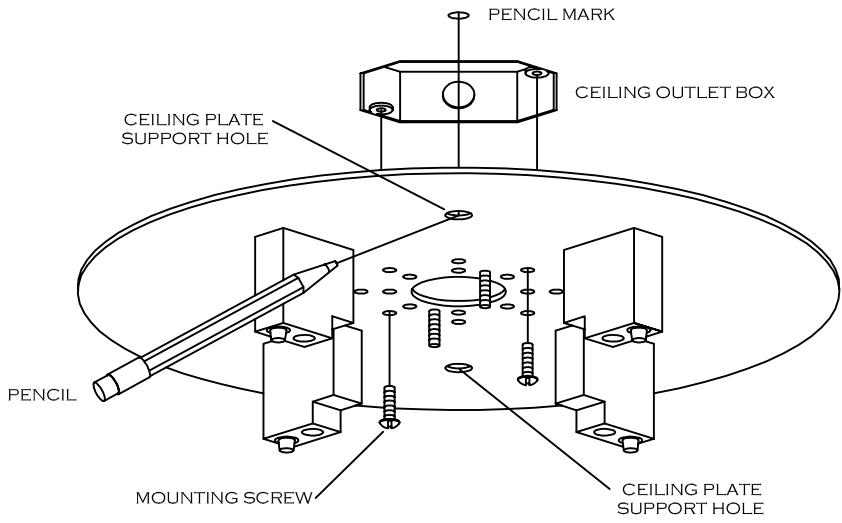


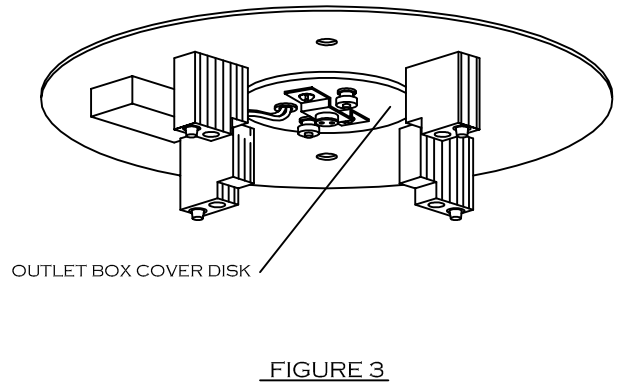
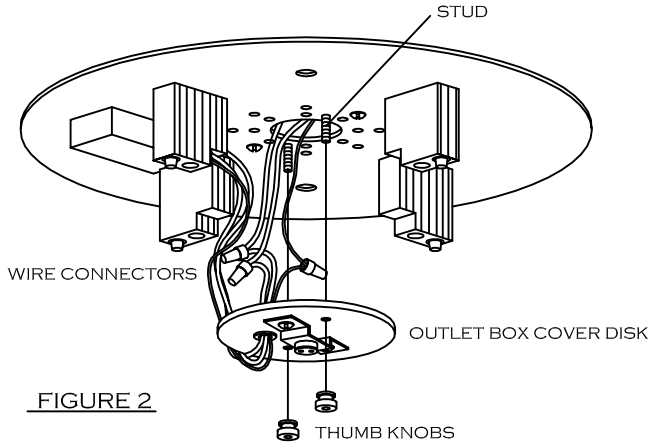
FIGURE 1

3. LOOSEN SCREWS AND REMOVE FIXTURE FROM CEILING. AT MARKS ON CEILING, DETERMINE APPROPRIATE METHOD OF SECONDARY SUPPORT FOR YOUR APPLICATION (STRONGLY RECOMMENDED FOR STABILITY).

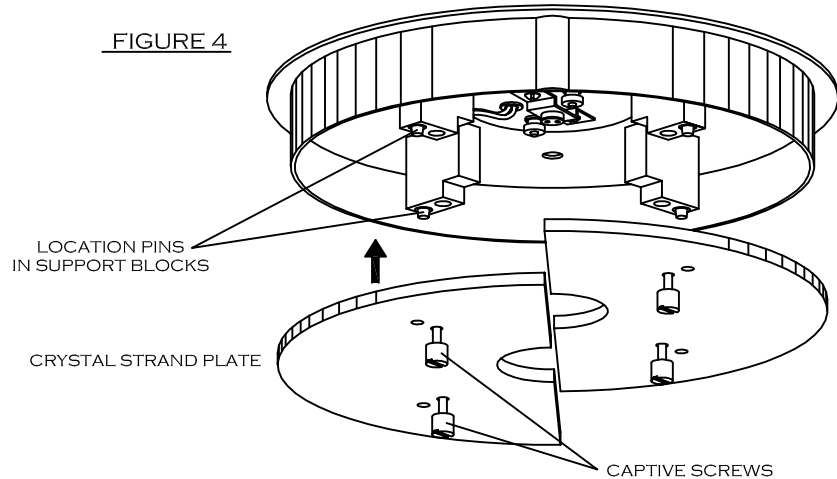
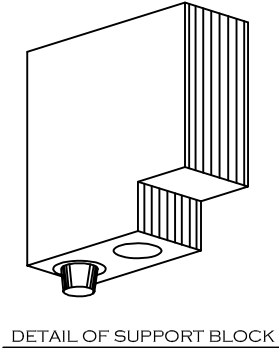
A DIVISION OF	944 FOLSOM STREET	SAN FRANCISCO	CALIFORNIA	94107
BOYD LIGHTING COMPANY	TEL 415.778.4300	FAX 415.778.4319	WWW.BOYDLIGHTING.COM	

K-0034

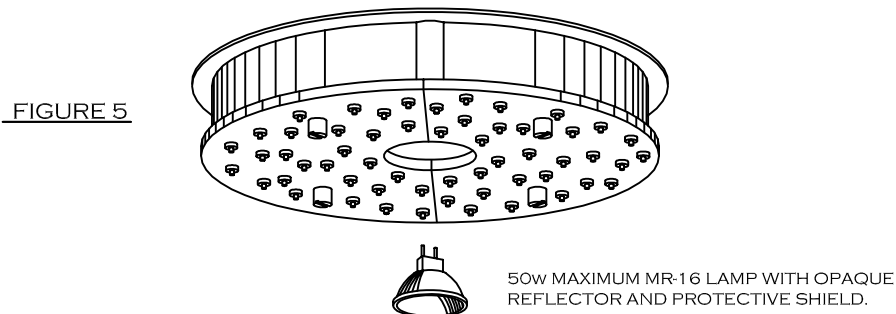
4. RE-INSTALL FIXTURE ONTO CEILING. USE MOUNTING SCREWS TO ATTACH FIXTURE TO CEILING OUTLET BOX. USE SECONDARY SUPPORT AS DISCUSSED FOR ADDITIONAL SUPPORT (STRONGLY RECOMMENDED).
5. MAKE WIRE CONNECTIONS USING TWIST-ON WIRE CONNECTORS: CONNECT BLACK FIXTURE WIRE TO BLACK SUPPLY WIRE; WHITE FIXTURE WIRE TO WHITE SUPPLY WIRE; FIXTURE GROUND WIRE TO BOX GROUND WIRE OR TERMINAL. PUSH ALL CONNECTIONS INSIDE OUTLET BOX. (FIG. 2)
6. ALIGN OUTLET BOX COVER OVER STUDS. SECURE WITH THUMB KNOBS. (FIGS. 2 & 3)



7. ATTACH A CRYSTAL STRAND PLATE BY ALIGNING HOLES IN THE PLATE WITH THE LOCATION PINS ON THE SUPPORT BLOCKS. HAND-TIGHTEN CAPTIVE SCREWS TO SECURE IN PLACE. SECURE THE OTHER PLATE USING THE SAME METHOD.



8. INSTALL A 50W MAXIMUM MR-16 LAMP WITH AN OPAQUE REFLECTOR AND PROTECTIVE SHIELD. IT IS RECOMMENDED THAT A FLOOD LAMP BE INSTALLED.



9. ENJOY YOUR NEW CASCADE ROUND LUMINAIRE BY THE KENTFIELD COLLECTION.