

# BOYD



## INSTRUCTIONS FOR INSTALLATION K0053 SOLEIL PETITE PENDANT

**IMPORTANT: READ ALL INSTRUCTIONS  
THOROUGHLY BEFORE PROCEEDING.**

**CAUTION: TURN OFF POWER AT CIRCUIT  
BREAKER OR FUSE BOX BEFORE  
PROCEEDING.**

### STEP 1.

Carefully remove fixture from packaging.  
Avoid using sharp blade on packaging as it  
may damage the finish or the fixture.

### STEP 2.

Attach the flared mounting ring to the outlet  
box with provided hardware.  
(See Figure 1)

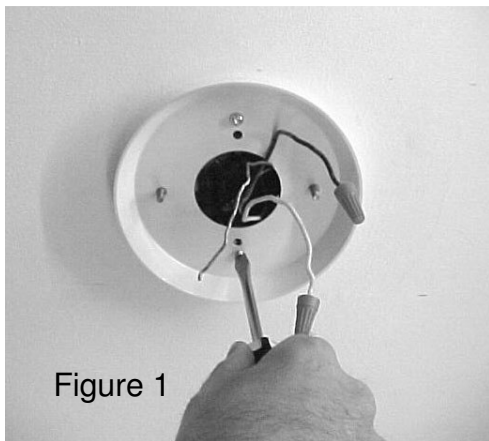


Figure 1

### STEP 3.

Carefully unpack canopy and stem assembly  
and remove the nut, lock washer and  
cardboard retainer, as these are for shipping  
purposes only. Feed the fixture wires  
through the canopy stem and carefully thread  
the canopy stem onto the lighting fixture.  
(See Figure 2)

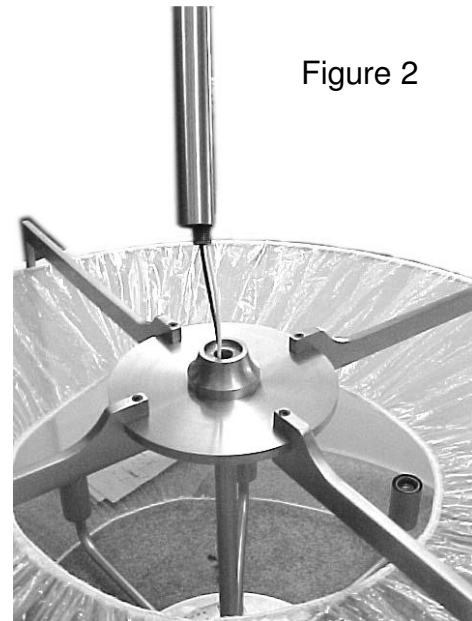


Figure 2

### STEP 4.

Attach the fixture assembly to the ceiling by  
fastening the suspension bracket to the flared  
mounting ring using the thumb knobs.  
(See Figure 3)

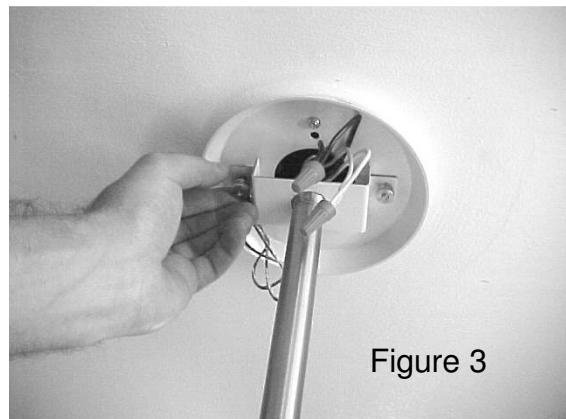


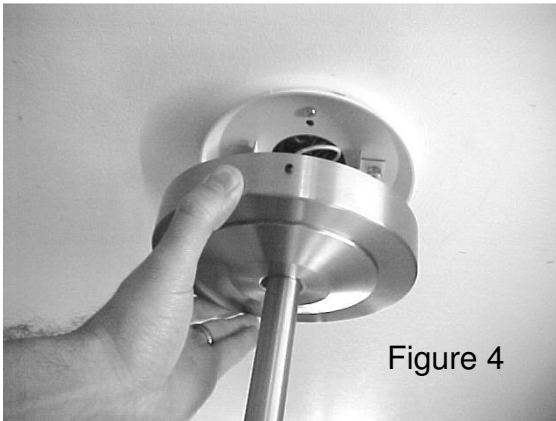
Figure 3

**STEP 5.**

Make wire connections using the twist-on connectors: connect the black fixture wire to the hot supply wire (typically black); connect the white fixture wire to the neutral supply wire (typically white); connect the copper fixture wire to the ground wire or ground terminal at the outlet box.

**STEP 6.**

With the fixture installed, carefully slide the canopy up the stem. Push the canopy up over the flared mounting ring and secure using the set-screws.  
(See Figure 4)

**STEP 7.**

Carefully remove the plastic cover on the fixture shade. The cover is strictly for shipping purposes.

**CAUTION:**

**DO NOT OPERATE THE LIGHTING  
FIXTURE WITHOUT REMOVING THE  
PLASTIC SHADE COVER.**