



IMPORTANT | CAUTION

Important!

Be sure all power is off prior to installing fixture.
 Read all instructions before performing any work.

At all times wiring to be done per National Electric Codes (NEC) or applicable local codes.



K-0057 Lamping
 Incandescent
 Candelabra base, One B-10, 60w max

K-0058 Lamping
 Incandescent
 Medium Base, One A-19, 60w max

Step 1 Remove fixture from packaging. Do not use a sharp blade on packaging because doing so may result in damage to the finish or linen shade.

Step 2 Be sure all power is off prior to installing fixture. Read all instructions before performing any work. Attach the mounting plate to the outlet box using screws provided in the mounting kit. (See Figure 1)

Step 3 Use additional mounting hardware such as hollow wall anchors at the four holes near the corners for extra support. (See Figure 2)

Step 4 Raise lampholder unit into position, then connect wiring. Connect the white fixture wire to the neutral supply wire; typically white. Connect the black fixture wire to the hot supply wire; typically black. Connect the fixture ground wire to the ground supply wire; typically copper. Carefully push wire connections up inside the outlet box, then attach the lampholder unit to the mounting plate using the decorative knobs. (See Figure 3)

Step 5 Install appropriate lamping into fixture per the re-lamp label recommendations.

Step 6 Carefully place the shade cage into position over the lampholder unit, then rotate slowly until the four pins on the inside of the metal spinning engage with the bayonet tabs on the mounting plate. (See Figure 4 thru 7)

NOTE: Make sure that all four pins are tightly engaged into the bayonet tabs to avoid the possibility of the shade cage dropping from the ceiling.

Step 7 Restore power at the breaker / fuse box.

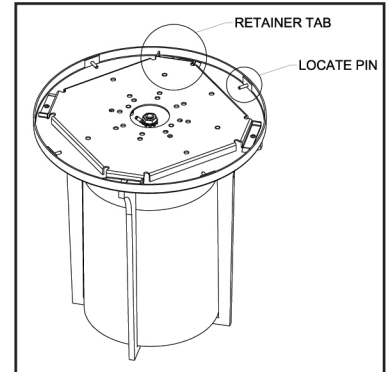


Figure 4



Figure 5- Bayonet pins

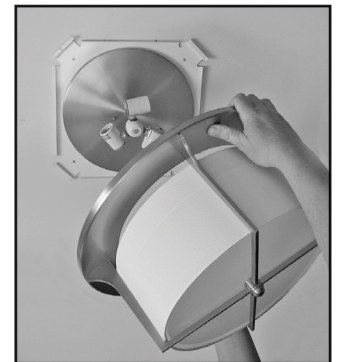


Figure 6

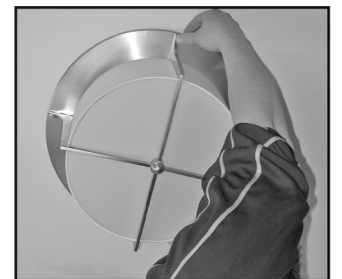


Figure 7

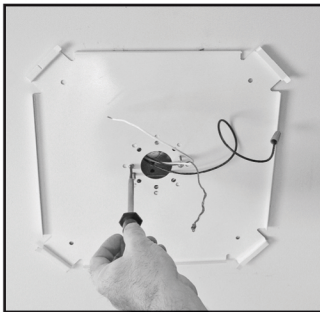


Figure 1

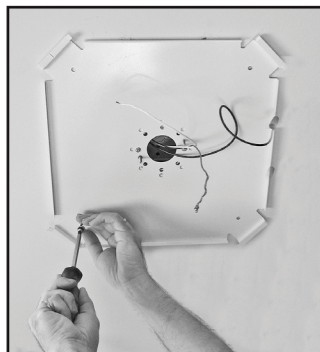


Figure 2

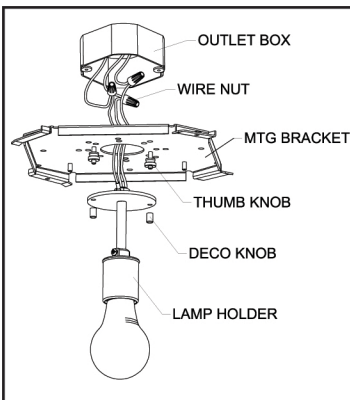


Figure 3

Thank you for your purchase and enjoy your Kentfield Collection fixture.