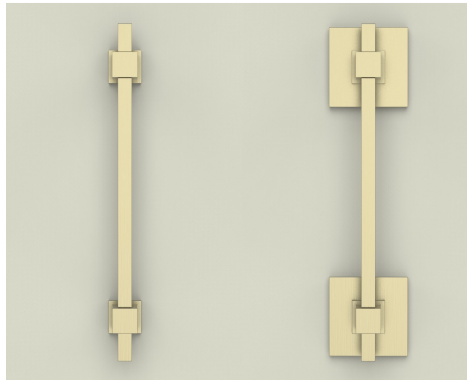




## INSTALLATION INSTRUCTIONS

Axis Sconce 24", 30", 36", 42", & 48"



### IMPORTANT!

AT ALL TIMES WIRING TO BE DONE PER NATIONAL ELECTRICAL CODES (NEC) OR APPLICABLE LOCAL CODES. READ ALL INSTRUCTIONS THOROUGHLY. TURN OFF POWER AT CIRCUIT BREAKER OR FUSE BOX BEFORE PROCEEDING.

**This fixture requires remote installation of the LED driver within the wall. This fixture also requires installation onto a round 3" mud ring or small octagonal box. If these requirements cannot be satisfied, STOP INSTALLATION NOW!**

### STEP 1

- Carefully remove fixture from packaging. Avoid using a sharp blade on the packaging, as doing so may result in damage to the fixture or finish. Fixture is fragile so handle with care.

### STEP 2

- Determine the primary direction of lighting.
- The light bar may be rotated 140 degrees in each direction after installation, but by default, the fixture is assembled so that the light is primarily focused on the wall (Figure 1). If this is the desired direction, skip directly to STEP 4.
- If the light bar should be directly aimed into the room (Figure 2), proceed to the next step.

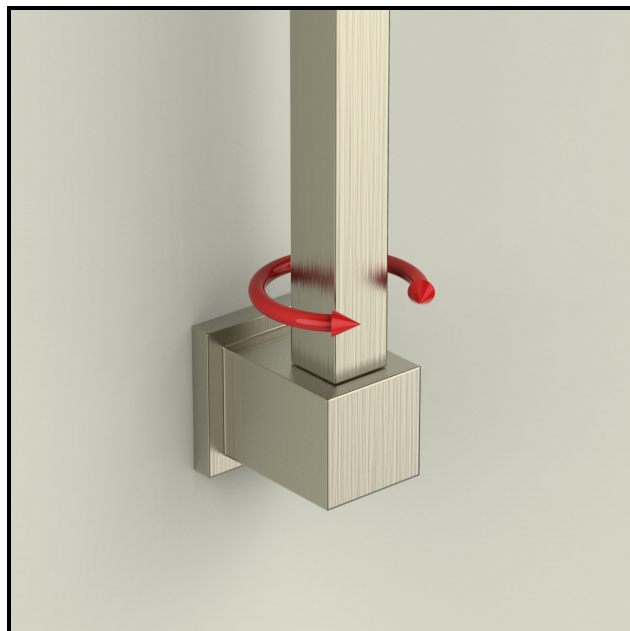


Figure 1

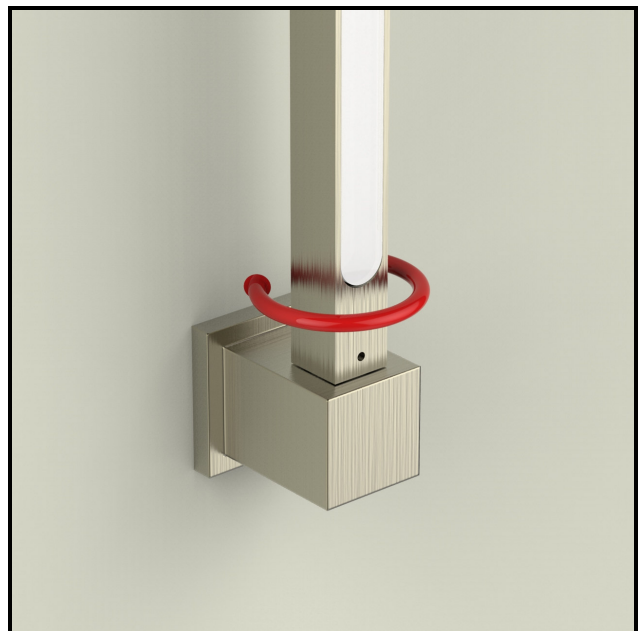


Figure 2

### STEP 3

- To reverse light bar direction, insert hex key into arm block (Figure 3). Loosen set screw, shown red (Figure 4) until the arm block can be freely rotated 180 degrees. When light bar is oriented in the opposite direction, re-tighten set screw.
- Rotate arm block to make sure that it stops. If block rotates a full 360 degrees or more, then set screw must be further tightened. Rotation must stop or an electrical short may occur.
- Repeat the previous step on the opposite end of the fixture. Set fixture aside until later.

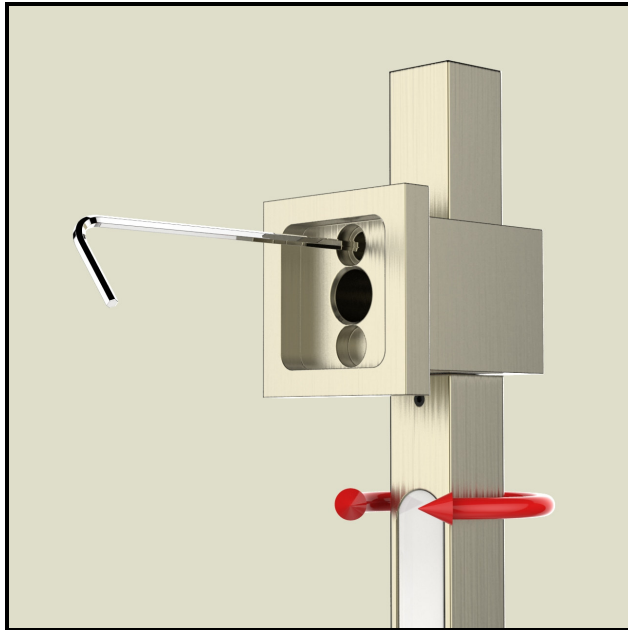


Figure 3

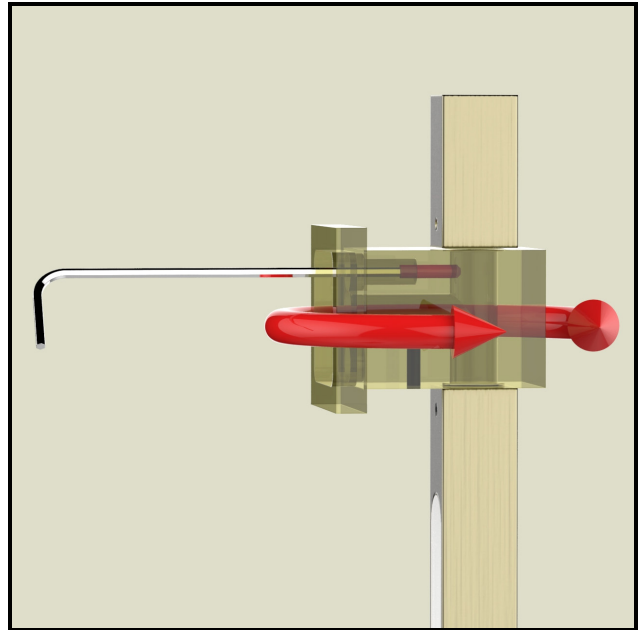


Figure 4

### STEP 4

- Install LED driver box within wall, remotely away from fixture. Driver will not fit inside fixture.
- Supply power to input side of remote driver (hot and neutral).
- Driver box must be properly grounded.
- If installing fixture on a 0-10V dimming system, run purple and gray low-voltage wires to dimmer.
- If dimming is not required, cap off the purple and gray leads separately.
- Run low-voltage cable from driver to electrical box where sconce will be installed.

## Mirror Mounting Instructions

The following steps are for mounting the fixture directly to a mirror, without using the optional large backplates. For mounting of fixture to basic drywall, proceed to STEP 13 on Page 6.

### STEP 5

- Using flat head screws, install mounting bracket directly to 3" mud ring (Figure 5) or to a small octagon box with a hole spacing of  $2\frac{3}{4}$ ". Bracket is not usable on larger boxes. Note orientation of center cutout on a vertical installation. When fixture is to be mounted horizontally, the cutout should be rotated 90 degrees.



Figure 5



Figure 6

STEP 6

- Using included machine screws, temporarily attach metal template to mounting bracket (Figure 6).
- Using a bubble level, check to be sure that template is plumb or level, depending on orientation.

STEP 7

- Using a pencil, mark the shape of the cutout on the opposite end of the template (Figure 7).
- Remove template. Align second mounting bracket over pencil marks. Mark two holes on wall.
- Using included wall anchors, or other appropriate hardware, secure bracket to wall.

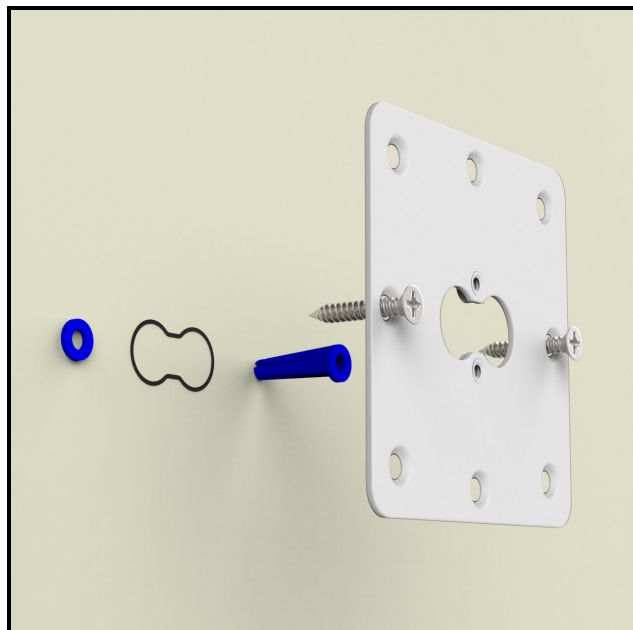


Figure 7

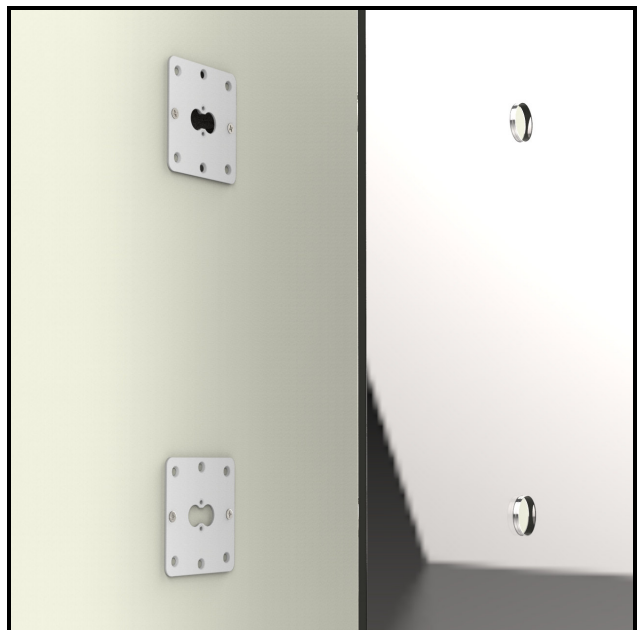


Figure 8

## STEP 8

- With brackets secured to wall, adhere mirror to wall, directly over the brackets. Mirror cutouts should be centered over brackets (Figure 8).
- Cutouts in mirror should be  $1\frac{1}{8}$ " (29mm) diameter. Spacing between holes should be:
  - 24" fixture =  $20\frac{3}{8}$ " spacing
  - 30" fixture =  $26\frac{3}{8}$ " spacing
  - 36" fixture =  $32\frac{3}{8}$ " spacing
  - 42" fixture =  $38\frac{3}{8}$ " spacing
  - 48" fixture =  $44\frac{3}{8}$ " spacing

## STEP 9

- On lower end (non-electrified end), install mounting post with included screws (Figure 9).
- Use the post which is solid and without a center hole.
- Orient post so that flat spot is facing upward (or toward opposite end of fixture when horizontal).
- **CRITICAL!** Do not over-tighten the screws, as this may crack the mirror.

## STEP 10

- On upper end (electrified end), install mounting post with included screws (Figure 10).
- While using a second person for assistance, pass red and black wires through mounting post.
- Using included gray twist-on wire connectors, connect red wire to the red lead in the low-voltage cable from STEP 4. Connect black wire to the black lead.
- Orient post so that flat spot is facing downward (or toward opposite end of fixture if horizontal).
- Secure post with provided screws.
- **CRITICAL!** Do not over-tighten the screws, as this may crack the mirror.

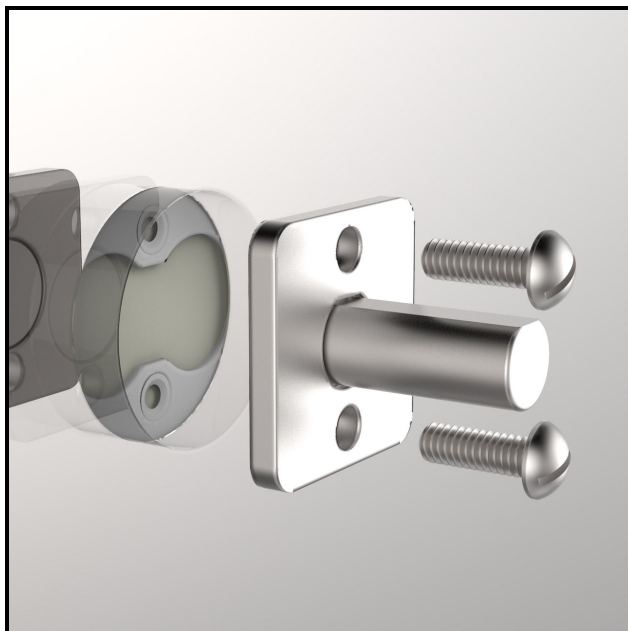


Figure 9

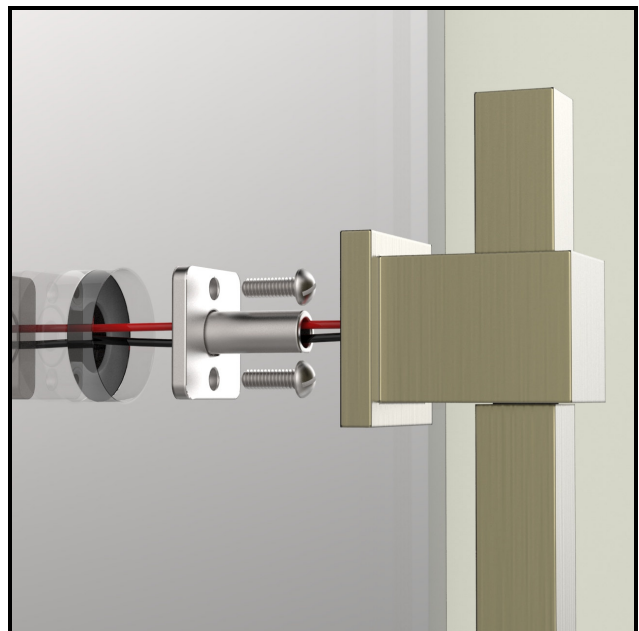


Figure 10

STEP 11

- Carefully slide fixture over posts until it is firmly seated over mirror. (Figures 11 / 12)

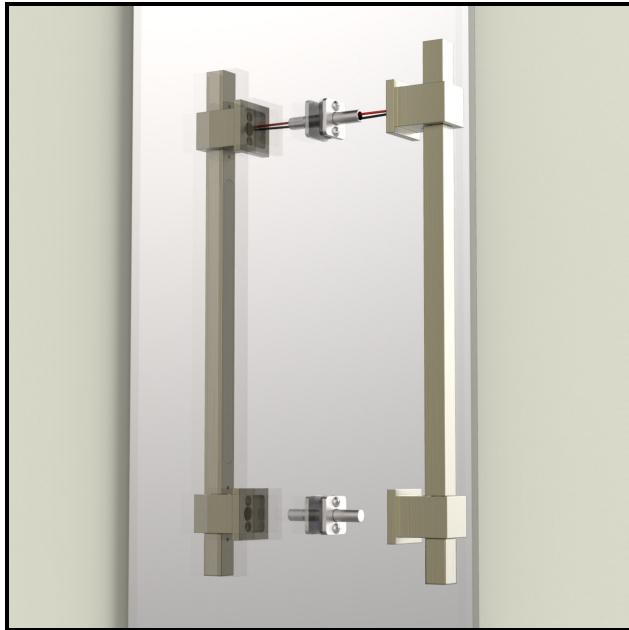


Figure 11

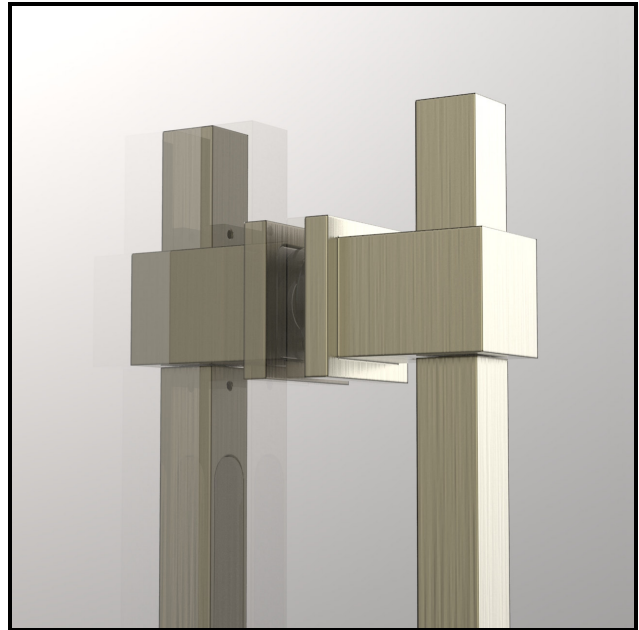


Figure 12

STEP 12

- With fixture seated, use hex key to secure set screw onto flat spot on post. Repeat process on top and bottom arm blocks (Figure 13).
- Give fixture a gentle pull to make sure set screws are properly tightened (Figure 14)
- Restore power to circuit.

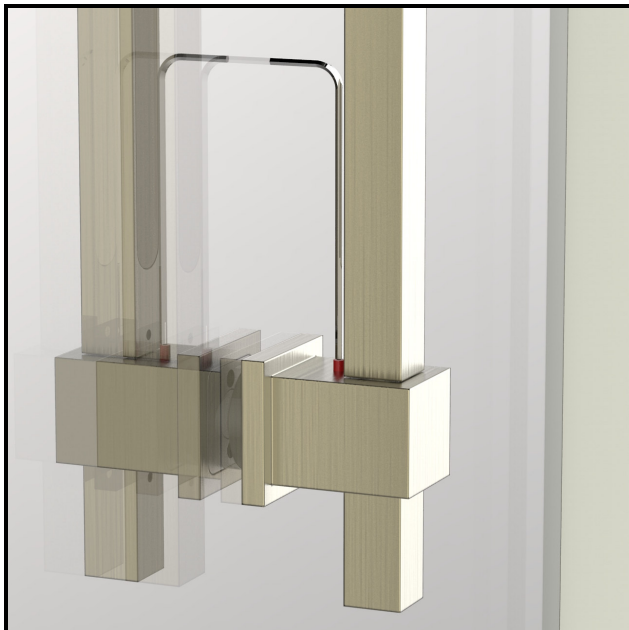


Figure 13

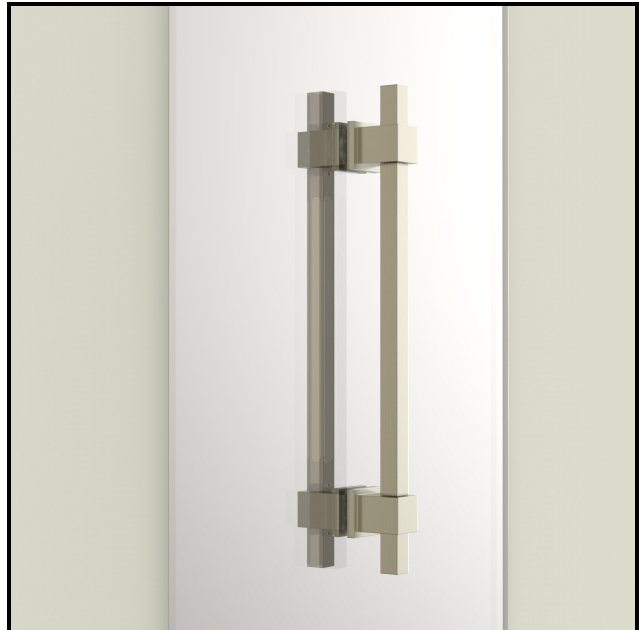


Figure 14

## Drywall Mounting Instructions

The following steps are for mounting the fixture directly to basic drywall with optional large backplates.



Figure 15



Figure 16

### STEP 13

- Install mounting bracket directly to 3" mud ring (Figure 15) or to a small octagon box with a hole spacing of  $2\frac{3}{4}$ ". Bracket is not usable on larger boxes. Note orientation of center cutout on a vertical installation. When mounted horizontally, the cutout should be rotated 90 degrees.

### STEP 14

- Using included machine screws, temporarily attach metal template to mounting bracket (Fig 16).
- Using a bubble level, check to be sure that template is plumb or level, depending on orientation.

### STEP 15

- Using a pencil, mark the shape of the cutout on the opposite end of the template (Figure 17).
- Remove template. Align second mounting bracket over pencil marks. Mark two holes on wall.
- Using included wall anchors, or other appropriate hardware, secure bracket to wall.



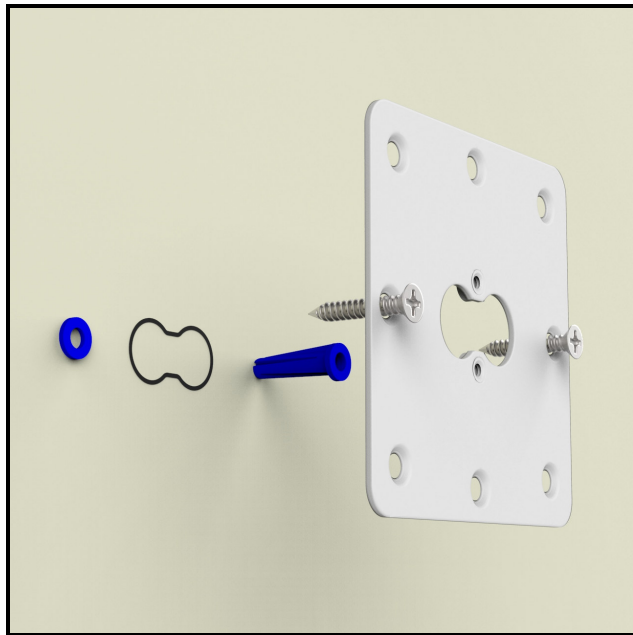


Figure 17

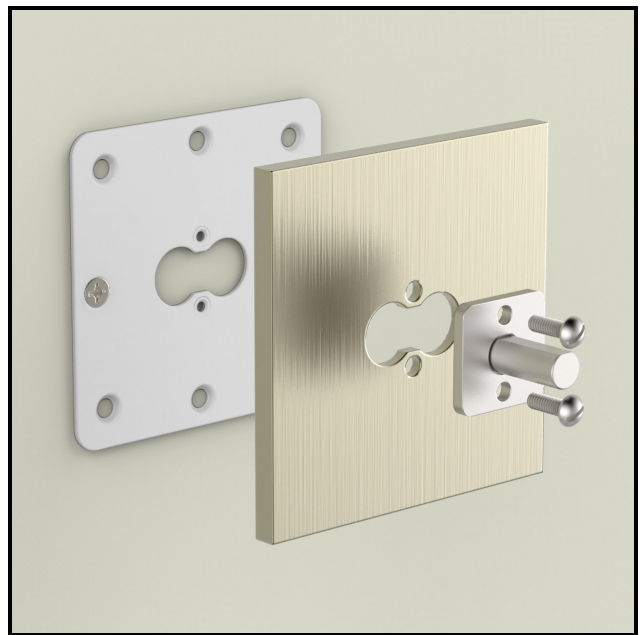


Figure 18

STEP 16

- On lower end (non-electrified end), install large optional backplate and mounting post with included screws (Figure 18).
- Use the post which is solid and without a center hole.
- Orient post so that flat spot is facing upward (or toward opposite end of fixture when horizontal).

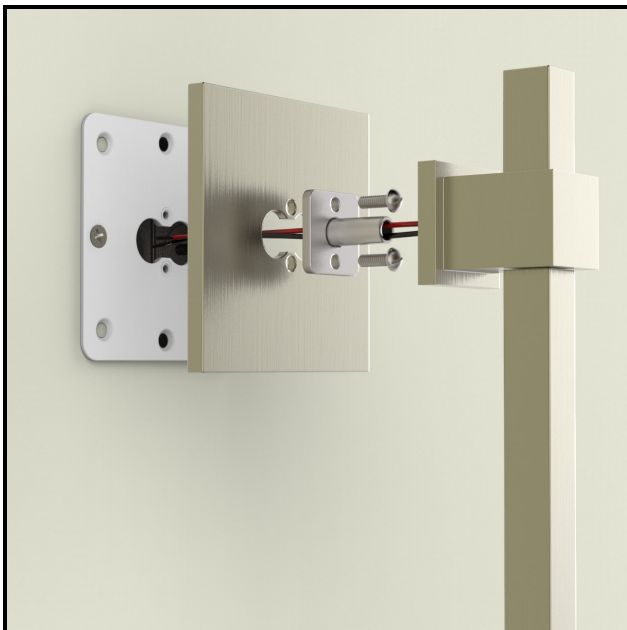


Figure 19

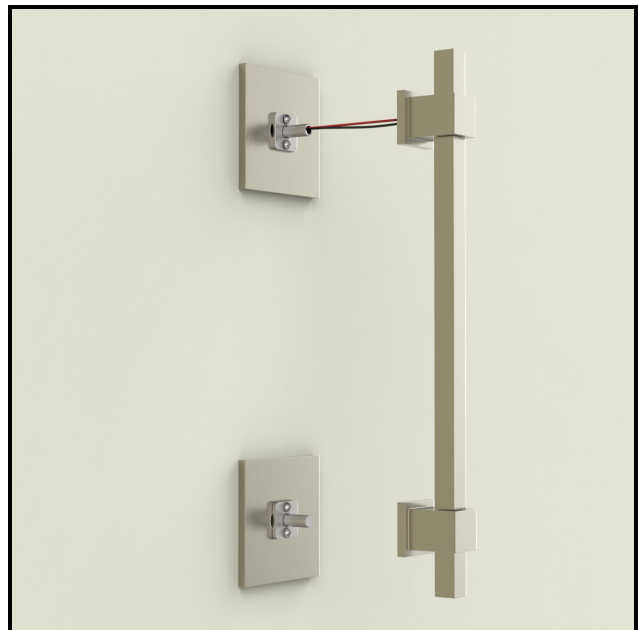


Figure 20

#### STEP 17

- Using a second person for assistance, pass red and black wires through post and backplate. (Fig 19)
- Using included gray twist-on wire connectors, connect red wire to the red lead in the low-voltage cable from STEP 4. Connect black wire to the black lead.
- Orient post so that flat spot is facing downward (or toward opposite end of fixture if horizontal).
- Secure post and backplate with provided screws.

#### STEP 18

- Carefully slide fixture over posts until it is firmly seated against wall. (Figures 20)

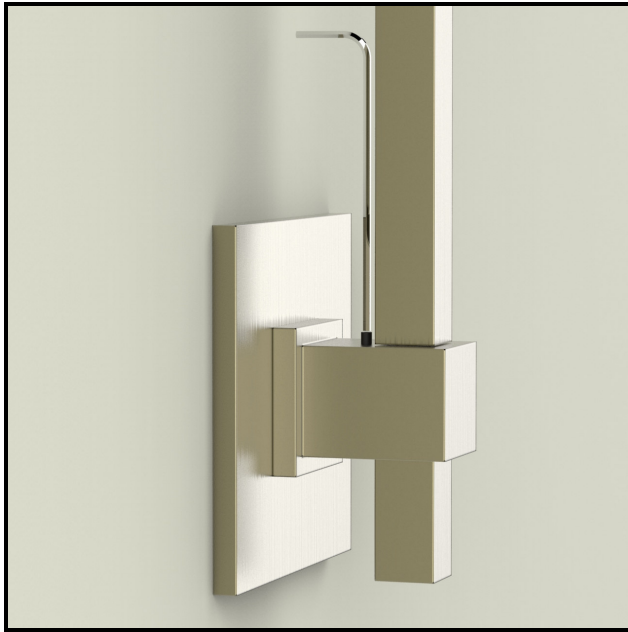


Figure 21

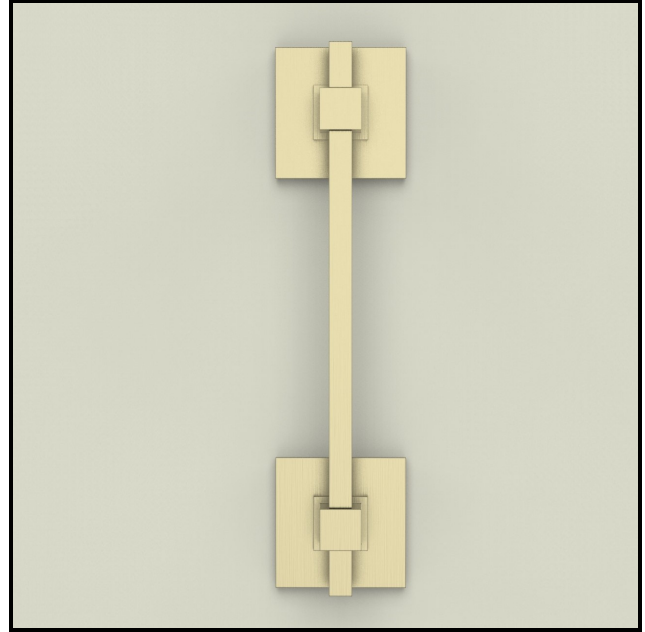


Figure 22

#### STEP 19

- With fixture seated, use hex key to secure set screw onto flat spot on post. Repeat process on top and bottom arm blocks (Figure 21).
- Give fixture a gentle pull to make sure set screws are properly tightened (Figure 22)
- Restore power to circuit.