



INSTALLATION INSTRUCTIONS

C-10770 Ovalo Chain Cluster Pendant 24"
C-10771 Ovalo Chain Cluster Pendant 36"

IMPORTANT!

AT ALL TIMES WIRING TO BE DONE PER NATIONAL ELECTRICAL CODES (NEC) OR APPLICABLE LOCAL CODES. READ ALL INSTRUCTIONS THOROUGHLY. TURN OFF POWER AT CIRCUIT BREAKER OR FUSE BOX BEFORE PROCEEDING.

STEP 1

- Carefully remove fixture components from packaging. Avoid using a sharp blade on the packaging, as doing so may result in damage to the fixture or finish. Handle with care.
- Chain link assemblies are very long and rigid. They are not flexible like a traditional chain. When removing from the box or crate, always support the assembly along the entire length. Failure to do so could result in permanent bending of the brass components.

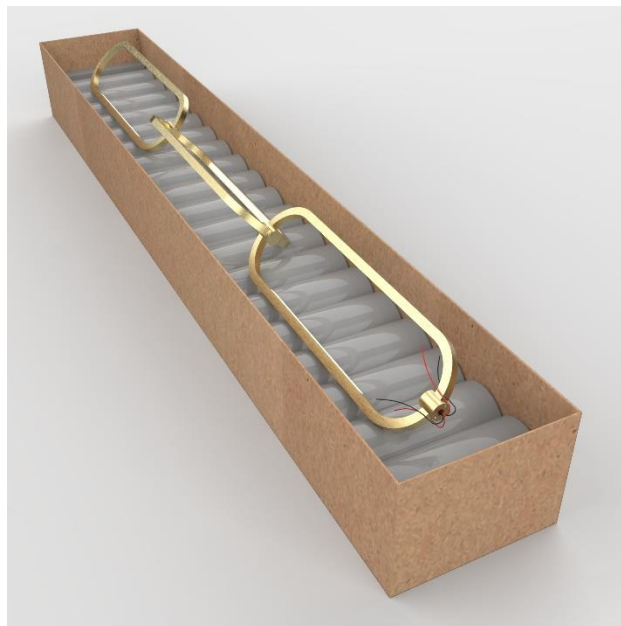


Figure 1

STEP 2

- Remove temporary nuts and washers from underside of canopy (Figure 2).
- These fasteners were only intended for shipment purposes.

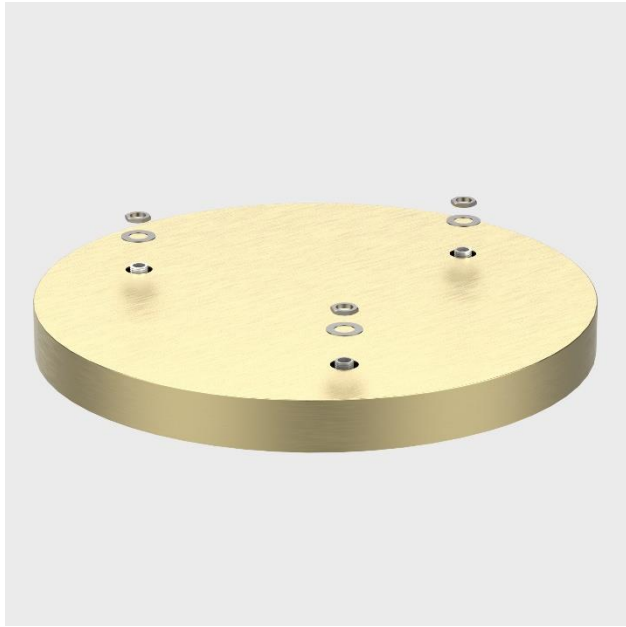


Figure 2

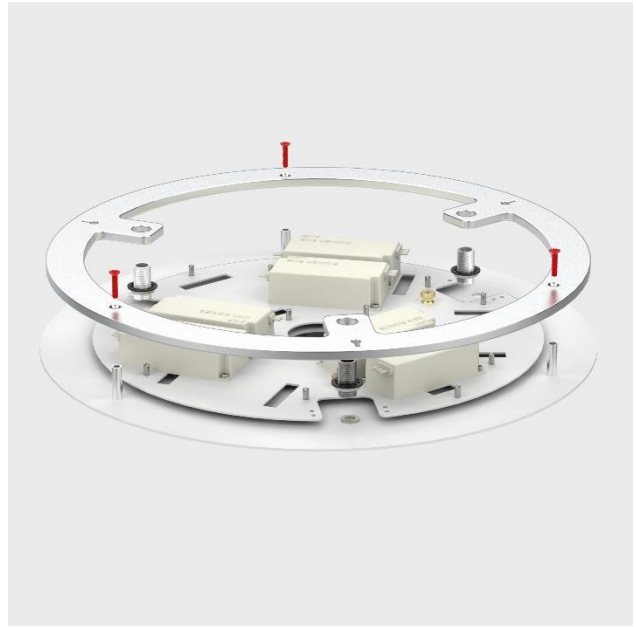


Figure 3

STEP 3

- Slide canopy off electrical mounting disk assembly.
- With disk exposed, remove the aluminum ring which is held in position with three screws (Figure 3).
- Place loose nipples, nuts, and lock washers off to the side, to be used later in STEP 10.

STEP 4

- Remove the electrical disk portion of the assembly by unthreading the brass thumb knobs (Figure 4).

STEP 5

- Secure ceiling disk to the electrical box using the provided screws (Figure 5).
- Due to the heavy weight of the fixture, secondary anchors must be used. Anchors have been provided but the installer should use a style of anchor appropriate for the specific ceiling type.

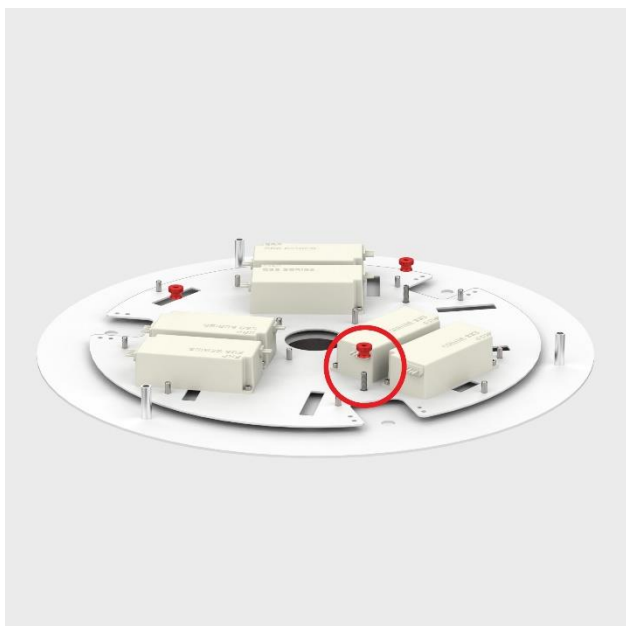


Figure 4



Figure 5

STEP 6

- Hold electrical disk in the vicinity of the ceiling plate.
- Make wire connections using included orange connectors. (Figure 6)
- The standard drivers on this fixture are dimmable with multiple different styles of dimmers.
- **If installing on ELV/reverse-phase or MLV/forward-phase dimming systems, or a basic switch:**
 - Connect the white driver leads to the neutral supply wire (typically white).
 - Connect the black driver leads to the hot supply wire (typically black).
 - Connect the copper fixture wire to the ground wire or ground terminal in the electrical box.
 - The fixture may now be dimmed using a compatible ELV/MLV/Triac dimmer.
- **If installing on a 0-10V dimming system, follow the previous steps plus:**
 - Connect the purple driver wire to the purple supply wire.
 - Connect the pink (or gray) driver wire to the pink (or gray) supply wire.
- **If 0-10V dimming is not required:**
 - Cap purple and gray wires as these wires are not needed.

STEP 7

- Secure electrical disk to ceiling disk using the thumb knobs removed in STEP 4.
- Be sure that no wires are pinched and that disk sits flat.
- Allow black and red leads to hang from disk.



Figure 6



Figure 7

STEP 8

- Re-secure aluminum ring to ceiling assembly (Figure 7).

STEP 9

- Suspend canopy from ceiling assembly (Figure 8).
- Feed aircraft cable through the three slotted holes around perimeter of ring.
- Allow canopy to hang freely.

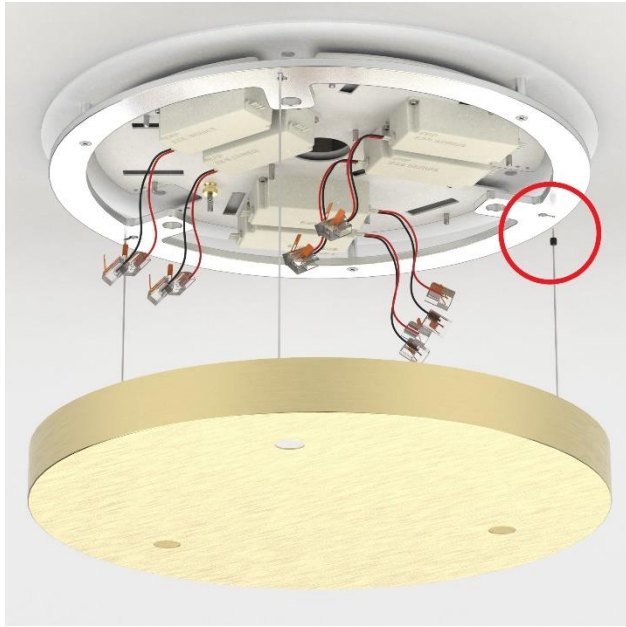


Figure 8

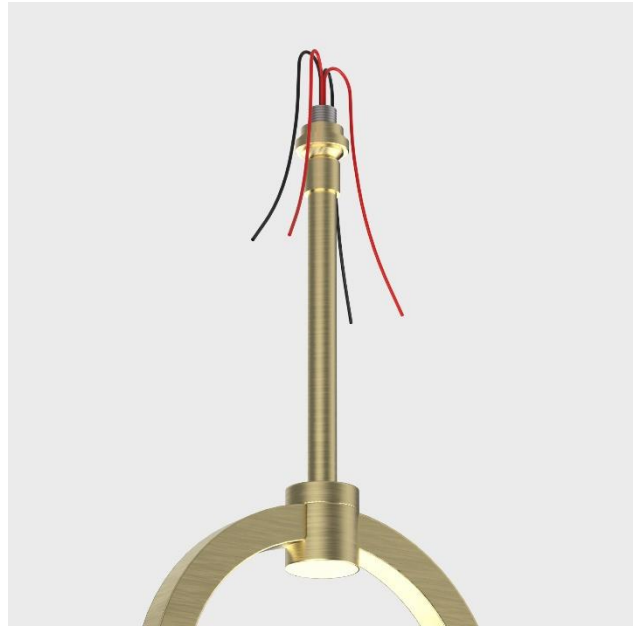


Figure 9

STEP 10

- Thread stems to top of the individual chain assembly (Figure 9).
- Carefully feed wires through stem.
- Thread nipples, which were removed in STEP 3, into top of swivel.

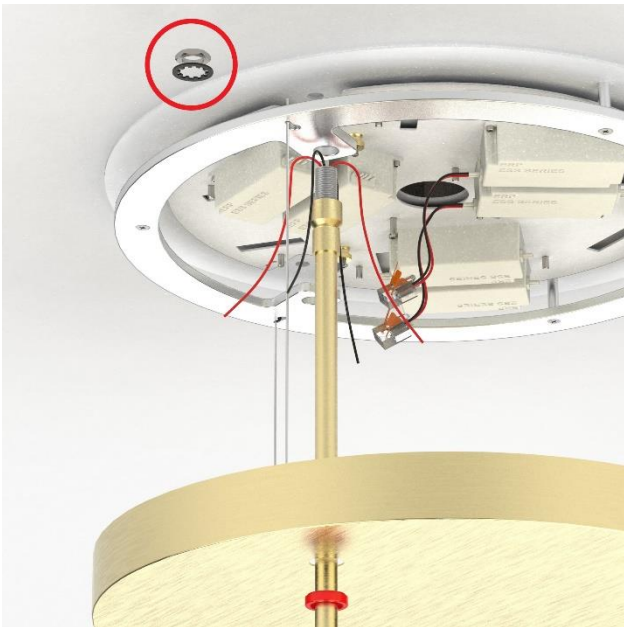


Figure 10



Figure 11

STEP 11

- While carefully supporting the chain assembly with the longest stem, unthread the swivel ring (shown red) and allow it to slide down the stem (Figure 10).
- Feed stem up through hole on underside of canopy.
- Secure assembly to aluminum ring using the nut and lock washer, shown circled (Figure 10).

STEP 12

- Using the two paired drivers closest to the newly mounted stem, make remaining wire connections:
 - Connect the red (+) fixture wire to the red (+) driver wire.
 - Connect the black (-) fixture wire to the black (-) driver wire.
 - Connect the red/white striped (+) fixture wire to the red/white striped (+) driver wire.
 - Connect the black/white striped (-) fixture wire to the black/white striped (-) driver wire.
- Carefully tuck wiring into canopy, making sure it is not strained in any way.

STEP 13

- Repeat the process for the remaining two chain assemblies.
- As a reminder, be sure that the threaded swivel ring is fully slid down the stem, prior to securing fixture to ceiling.

STEP 14

- Carefully and slowly, slide canopy up stems (Figure 11).
- Secure canopy to ceiling with the threaded swivel rings.
- If canopy doesn't sit flat, be sure that wires and connectors are not pinched.

STEP 15

- Restore power to fixture.