

Ovalo Chain Pendant Cluster

boyd



Shown in Satin Brass

Ovalo Chain Pendant Cluster

MODEL #'S 10770, 10771

Square tubes of hand-finished brass form obround loops connected in a chain link which illuminates from within satin white diffusers. Cluster these chains together to form large installations as a focal piece for your project. Made-to-order by hand in Colorado.

MATERIALS

Brass.

FINISHES

Satin Brass, Antiqued Boyd Brass, Blackened Brass, Earthen Brass, Satin Nickel.

LAMPING

LED, 150 WATTS, 120-277V, 2700K, 90+ CRI,
~ 11,000 Fixture lumens. Lamps included with fixture.
3000°k color temperature is available.

DIMENSIONS

24" links - 83" H x 15" W

HOA - 96" - 132" (2438 - 3353 mm)

36" links - 100" H x 15" W

HOA - 132"-168" (3353-4267 mm)

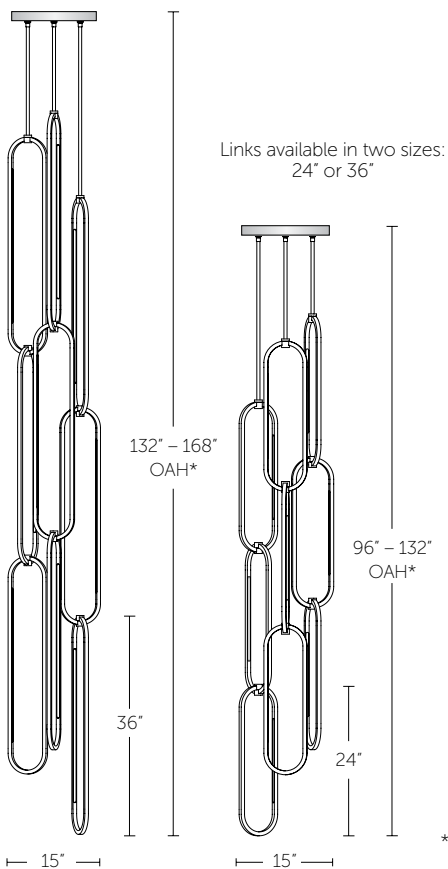
WEIGHT

35 lbs.

41 lbs.

NOTES

- Canopy: 16" D x 1½" H (40.6 x 3.8 cm)
- UL listed (or equivalent) for damp locations
- 0-10V Dimming Optional



* Please specify overall height