

INSTALLATION INSTRUCTIONS

DA2027 Isa Sconce 16
Isa Sconce 30

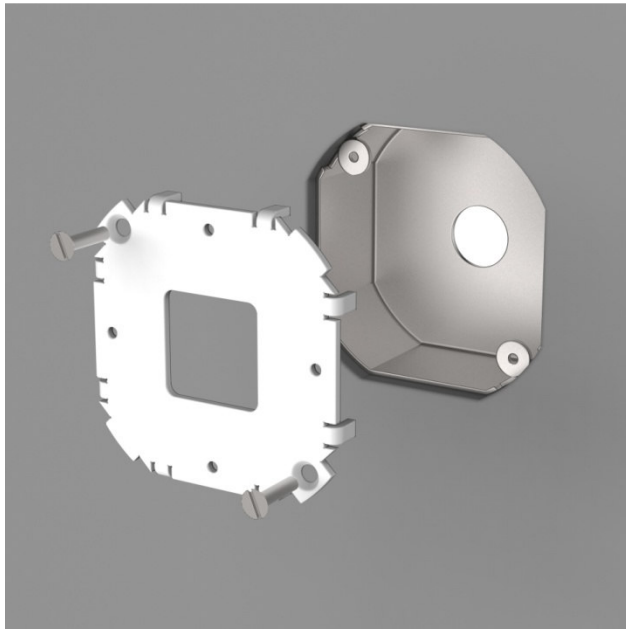
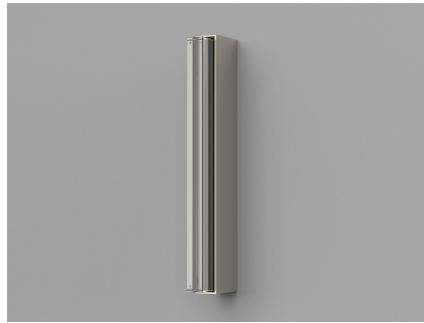


Figure 1

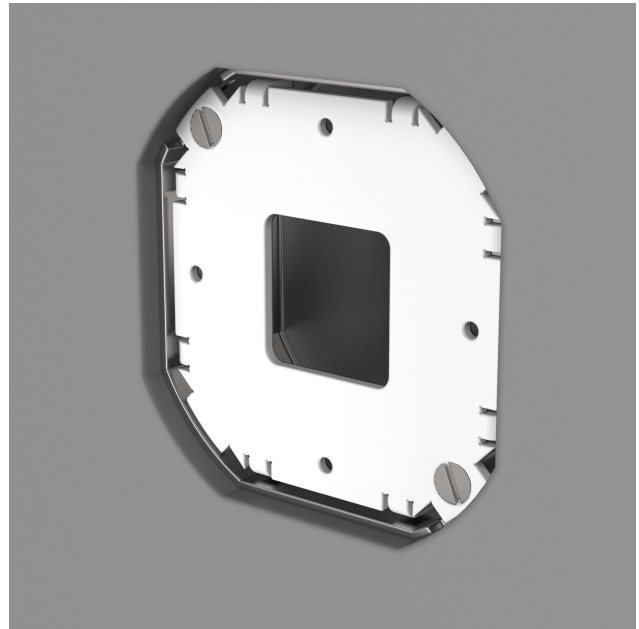


Figure 2

IMPORTANT!

AT ALL TIMES WIRING TO BE DONE PER NATIONAL ELECTRICAL CODES (NEC) OR APPLICABLE LOCAL CODES. READ ALL INSTRUCTIONS THOROUGHLY. TURN OFF POWER AT CIRCUIT BREAKER OR FUSE BOX BEFORE PROCEEDING.

This fixture requires professional drywall mudding techniques and installation of the LED driver within the wall. If electrician cannot satisfy both of these requirements, STOP INSTALLATION NOW!

STEP 1

- Carefully remove fixture from packaging. Avoid using a sharp blade on the packaging, as doing so may result in damage to the fixture or finish. Glass shade has fragile edges, so handle with care.

STEP 2

- Turn off power at fuse box or circuit breaker.

STEP 3

- Install LED driver within wall, remotely away from fixture. Driver will not fit inside fixture.
- Supply power to input side of remote driver (hot and neutral).
- If installing fixture on a 0-10V dimming system, run purple and gray low voltage wires to dimmer.
- If dimming is not required, cap off the purple and gray leads separately.
- Run red and black LED driver leads to electrical box where fixture will be installed.

STEP 4

- Fixture must be hung on a 3½" octagonal electrical box. (Figure 1)
- Electrical box must be secured at least ¼" deep, behind surface of wall.
- Attach steel mudding plate to electrical box as shown, using flat-head screws.

STEP 5

- With mudding plate secured to electrical box, plate should be at least ¼" deep in wall. (Figure 2)

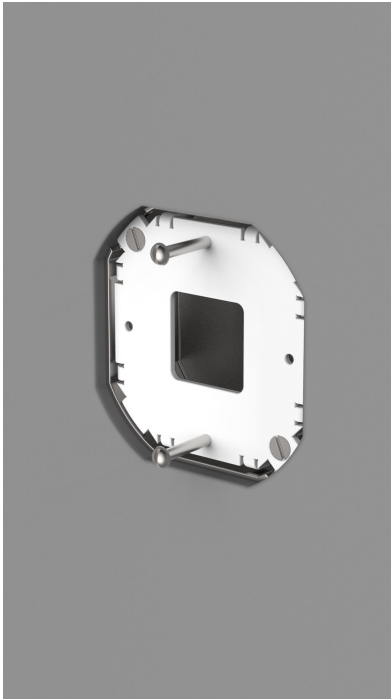


Figure 3



Figure 4



Figure 5

STEP 6

- Thread screws into holes on mudding plate. Screws should extend by ½" as shown. (Figure 3)
- Using professional techniques, apply joint tape and mud to completely cover mudding plate.
- Do not block access hole in center of plate. Leave screws in to prevent covering of screw holes.
- Allow mud to dry. Shown as white circle in illustration.
- Sand and feather mud. (Figure 4)
- Check finished wall straightness using a straight edge.
- Any irregularities on the wall surface will be accentuated when fixture is hung.
- Sand and repeat as necessary.
- Paint wall.

STEP 7

- Secure mounting bracket to wall with the screws provided. (Figure 5)
- Use secondary anchors at top and bottom of bracket. Electrician should select anchors suitable for the wall surface, and the anchors shown in the illustration may differ from those used.

STEP 7

- While holding fixture, make LED wiring connections with included connectors. (Figure 5)
- Connect RED (+) wire to red supply wire.
- Connect BLACK (-) wire to black supply wire.
- Connect the copper fixture wire to the ground wire or ground terminal in the outlet box.
- Push all connections inside the outlet box.

STEP 8

- Align fixture over mounting bracket and push toward wall until it is properly seated. (Figures 5/6)
- Secure fixture at top and bottom with set screws. The provided Allen wrench will be needed.



Figure 6



Figure 7

STEP 9

- Install glass. (Some fixtures may ship with glass already installed. If so, ignore this step.)
- Gently slide glass into fixture until it stops. (Figure 7)
- Secure glass in place by installing set screw on top of fixture.
- If set screw is on the bottom of the fixture, the housing is installed upside-down. Reverse.