



# Cadence I Sconce

## MODEL # 10438

The Asian-inspired Cadence ADA Sconce. Featuring an ivory Ecoresin diffuser for a soft glow. With interlaced bars which highlight Boyd's expert joinery. Designed by Doyle Crosby.

### MATERIALS

Hand-finished brass.

### FINISHES

Antiqued Boyd Brass, Blackened Brass, Polished Brass, Polished Nickel, Satin Brass or Satin Nickel

### LAMPING

17w LED lamps (included) offer 2700 K, 90+ CRI, providing ~900 lumens. Universal voltage 120v-277v. LED lamps can be dimmed using 0-10V low-voltage dimming controls and wiring. Other systems to be quoted. 3000°k OR 3500°k, color temperatures are available.

### DIMENSIONS

W 11" x H 14" x D 3"

W 279 mm x H 356 mm x D 76 mm

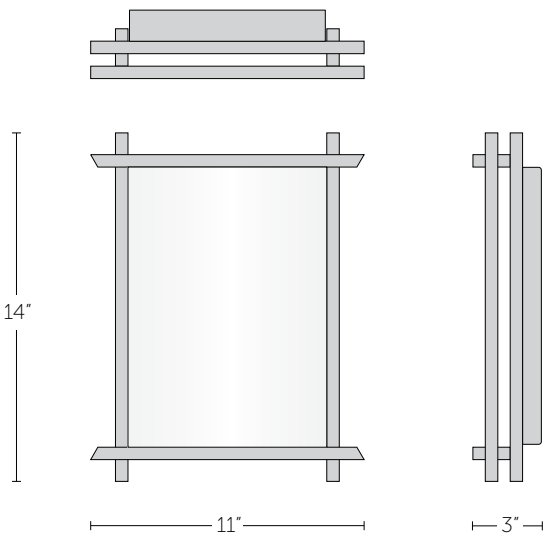
### WEIGHT

18 lbs.

8.2 kg

### NOTES

- Center of outlet box to top of fixture: 7" (178 mm)
- ADA compliant at any mounting height
- UL listed (or equivalent) for damp locations
- Diffuser: Ecoresin Linea Ivory
- Patent Design: D674,952.



# Cadence II Sconce

## MODEL # 10439

The Asian-inspired Cadence ADA Sconce. Featuring an ivory Ecoresin diffuser for a soft glow. With interlaced bars which highlight Boyd's expert joinery. Designed by Doyle Crosby.

### MATERIALS

Hand-finished brass.

### FINISHES

Antiqued Boyd Brass, Blackened Brass, Polished Brass, Polished Nickel, Satin Brass or Satin Nickel.

### LAMPING

29w LED lamps (included) offer 2700 K, 90+ CRI, providing ~1500 lumens. Universal voltage 120v-277v. LED lamps can be dimmed using 0-10V low-voltage dimming controls and wiring. Other systems to be quoted. 3000°k OR 3500°k, color temperatures are available.

### DIMENSIONS

W 11" x H 18.5" x D 3"

W 279 mm x H 470 mm x D 76 mm

### WEIGHT

21 lbs

9.5 kg

### NOTES

- Center of outlet box to top of fixture: 9.25" (235 mm)
- ADA compliant at any mounting height
- UL listed (or equivalent) for damp locations
- Diffuser: Ecoresin Linea Ivory
- Patent Design: D674,952.

