



INSTALLATION INSTRUCTIONS

C-10796 Duet Sconce

IMPORTANT!

AT ALL TIMES WIRING TO BE DONE PER NATIONAL ELECTRICAL CODES (NEC) OR APPLICABLE LOCAL CODES. READ ALL INSTRUCTIONS THOROUGHLY. TURN OFF POWER AT CIRCUIT BREAKER OR FUSE BOX BEFORE PROCEEDING.

This fixture requires installation of the LED driver within the wall. If this requirement cannot be satisfied, STOP INSTALLATION NOW!

STEP 1

- Carefully remove fixture components from packaging. Avoid using a sharp blade on the packaging, as doing so may result in damage to the fixture or finish. Shade is glass. Handle with care.

STEP 2

- Install driver enclosure within wall, remotely away from fixture. Driver will not fit inside fixture.
- Make wire connections using included orange twist-on connectors.
- **If installing on ELV/reverse-phase or MLV/forward-phase dimmer systems, or a basic switch:**
 - Connect the white driver lead to the neutral supply wire (typically white).
 - Connect the black driver lead to the hot supply wire (typically black).
 - Connect the copper ground wire to the ground supply wire.
- **If installing on a 0-10V dimming system,,** follow the previous steps plus:
 - Connect the purple driver wire to the purple supply wire.
 - Connect the gray driver wire to the gray supply wire.
- **If 0-10V dimming is not required,** cap purple and gray wires as these wires are not needed.
- Leave black and red driver wires dangling for hookup on a later step.

STEP 3

- Separate mounting disk from fixture assembly. (Figure 1)
- Loosen top and bottom knobs on backplate. This will allow removal of mounting disk.

STEP 4

- Secure mounting disk to electrical box with the provided screws (Figure 2)
- Be sure that stud on mounting disk is pointed upward.

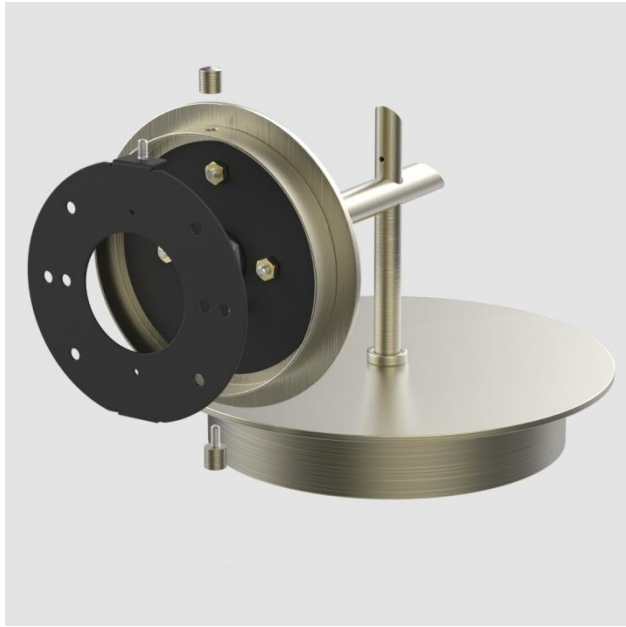


Figure 1

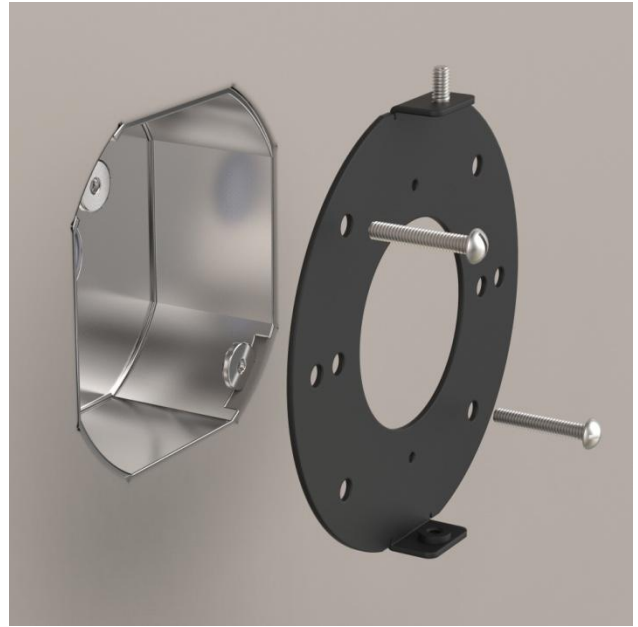


Figure 2

STEP 5

- Begin assembly of shade frame.
- Secure the two forks to the shade ring, using flat head screws (Figure 3).
- Be sure that side of fork with the vertical groove detail is facing outward.



Figure 3

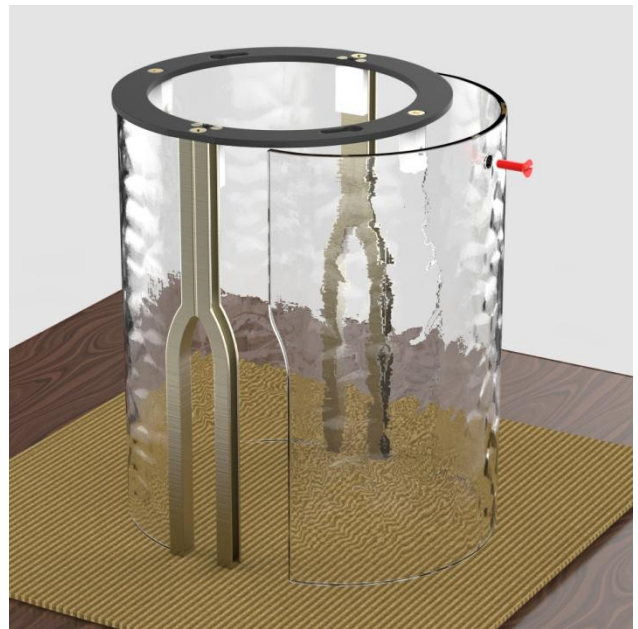


Figure 4

STEP 6

- Prepare a padded surface for assembling the glass shade.
- Gently slide glass shade into forks. Forks are lined with a soft silicone channel.
- Secure glass to frame with 5/8" long white nylon screw, shown red for illustration (Figure 4)
- Do not over-tighten screw.

STEP 7

- Repeat process for second piece of glass.

STEP 8

- Flip main fixture assembly as shown (Figure 5).
- It is suggested that a second person assists with this step.
- Flip shade assembly so that ring is facing downward.
- Hold glass shade assembly over fixture

STEP 9

- Align slots on shade ring with the brass balls on outside of white housing. See arrows (Figure 6)
- Lower shade assembly over brass balls.
- *Note: glass shown removed from shade assembly for illustration purposes on Figures 6/7/8/9.*



Figure 5

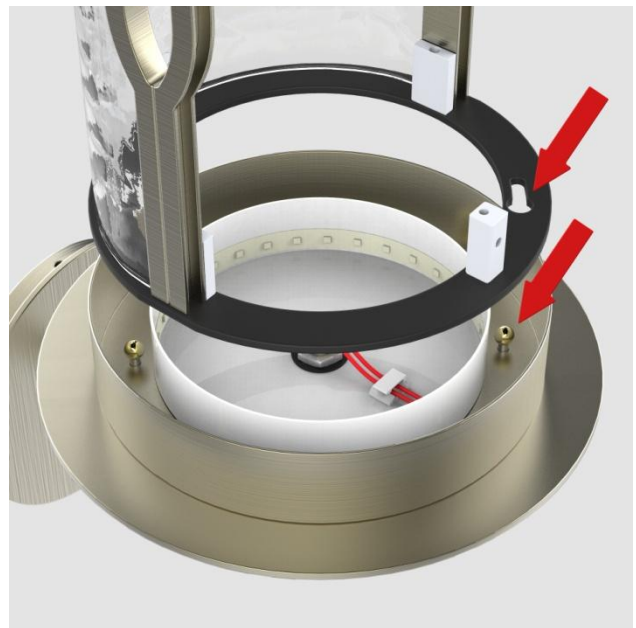


Figure 6

STEP 10

- Rotate shade assembly clockwise until brass ball is at end of slot (Detail 1 on Figure 7)
- Fixture has an anti-rotation mechanism to prevent glass shade from backing out and falling.
- **Critical!** Using a hex key (Detail 2 on Figure 7), tighten set screws within the blocks adjacent to forks.
- Tighten until both screws bottom out.



Figure 7

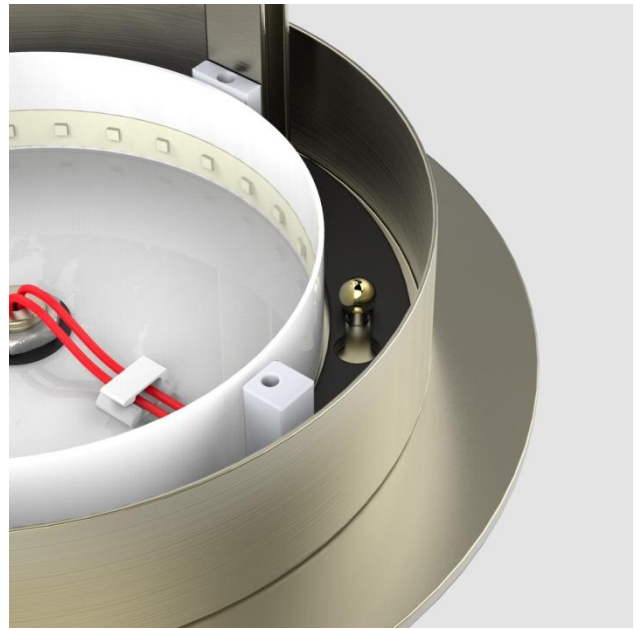


Figure 8

STEP 11

- Using a screwdriver, attach acrylic diffuser disk to white housing (Figures 9/10)
- Use provided 3/8" long white nylon screws.

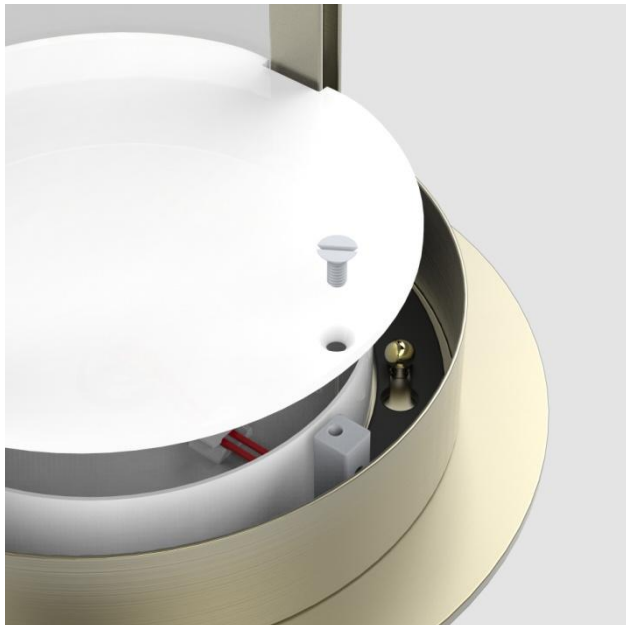


Figure 9



Figure 10

STEP 12

- Using provided connectors, connect fixture wiring to the supply wiring (Figure 11)
- Pair the red (+) fixture lead to the red (+) supply wire.
- Pair the black (-) fixture lead to the black (-) supply wire.

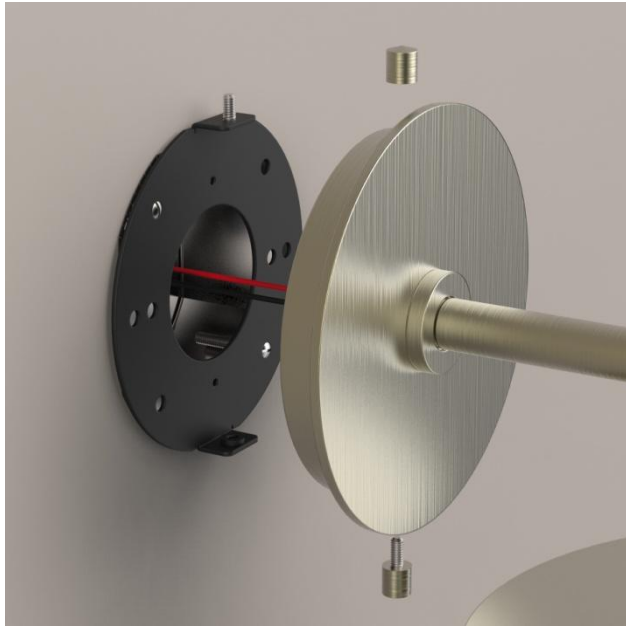


Figure 11



Figure 12

STEP 13

- Secure backplate to wall with two knobs (Figures 11/12)

STEP 14

- Restore power to circuit.