

# boyd

New Vision Catalog  
01/29/25

Boyd's design vision of the last  
five years under the guidance  
of Creative Director  
Schuyler Sweet



CLICK ON THE FIXTURE NAME TO GO THE PAGE

**Wall Fixtures**

Alex Sconce (DA2026) . . . . . 90  
Axis Sconce (10736-10738, 10739, 10749) . . . . . 28  
Branch Sconce (10720) . . . . . 74  
Duet Sconce (10796) . . . . . 40  
Isa Sconce (10821) . . . . . 94  
Lily Sconce (10821) . . . . . 16  
Loop Double (10726) . . . . . 64  
Loop Single (10725) . . . . . 62  
Lucia Artlight . . . . . 6  
Lucia Sconce . . . . . 4  
Obi (10694) . . . . . 86  
Plateau Round (10710, 10711, 10712) . . . . . 82  
Plateau Square (10714, 10715, 10716) . . . . . 84  
Quadrant Sconce (10886) . . . . . 4  
Santa Fe (10698) . . . . . 76  
Scorpio (10681) . . . . . 88  
Spire Sconce (10751) . . . . . 16  
Taos (10700) . . . . . 82

**Ceiling Fixtures**

Callisto Linear (10854, 10856, 10858) . . . . . 24  
Callisto Pendant (10845,10848,10849,10851) . . . . . 26  
Lily Pendant 1 (10819) . . . . . 18  
Lily Pendant 5 (10818) . . . . . 20  
Lily Pendant 9 (10820) . . . . . 22

**Pendant Fixtures**

Blade Pendant (10831, 10832, 10833, 10834, 10835) . . . . . 8  
Branch Pendant (10746, 10747,10748) . . . . . 68  
Duet Pendant (10796) . . . . . 38  
Ghost Parabolica (10705, 10706, 10707, 10708) . . . . . 42  
Ghost Rectangle (10701) . . . . . 46  
Ghost Round (10702, 10703) . . . . . 44  
Isa Pendant (DA2016-36,48, 60) . . . . . 92  
Loop Pendant (10728, 10729, 10730) . . . . . 66  
Nebula Pendant (10780, 10781) . . . . . 48  
Nebula Pendant 3 . . . . . 50  
Nebula Pendant 9 . . . . . 52  
Numi Linear Pendant (10813, 10814) . . . . . 34  
Ovalo Pendant Single (10740, 10472) . . . . . 58  
Ovalo Pendant Double (10741, 10473) . . . . . 60  
Ovalo Chain Single Pendant (10744, 10745) . . . . . 54  
Ovalo Chain Cluster Pendant (10770, 10771) . . . . . 56  
Spire Leaf Pendant (10754) . . . . . 4  
Spire Pendant 3 (10753) . . . . . 10  
Spire Leaf Pendant 9 (10755) . . . . . 12

**Table Fixtures**

Branch Table (10721) . . . . . 72

**Floor Fixtures**

Branch Floor (10722) . . . . . 70

**Accessories**

Eclipse Mirror (10766, 10767) . . . . . 30  
Volterra Mirror (10808, 10767) . . . . . 32

boyd

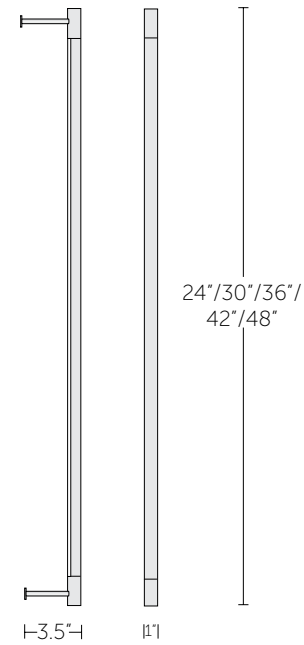
BOYD'S DESIGN  
VISION OF THE LAST  
FIVE YEARS UNDER  
THE GUIDANCE OF  
CREATIVE DIRECTOR  
SCHUYLER SWEET







**10886-10879 Lucia Sconce**



**LAMPING**

**10876 LED**

11 total watts, Standard 3000K/98+ CRI  
 ~825 Fixture Lumens Universal 120-277V.  
 W 1" x L 24" x Projection 3.5"  
 (25mm x 610mm x 90mm)

7 lbs  
 3.2 kg

**10876 LED**

14 total watts, Standard 3000K/98+ CRI  
 ~1100 Fixture Lumens Universal 120-277V.  
 W 1" x L 30" x Projection 3.5"  
 (25mm x 762mm x 90mm)

8 lbs  
 3.6 kg

**10877 LED**

16 total watts, Standard 3000K/98+ CRI  
 ~1250 Fixture Lumens Universal 120-277V.  
 W 1" x L 36" x Projection 3.5"  
 (25mm x 914mm x 90mm)

9 lbs  
 4 kg

**10878 LED**

20 total watts, Standard 3000K/98+ CRI  
 ~1500 Fixture Lumens Universal 120-277V.  
 W 1" x L 42" x Projection 3.5"  
 (25mm x 1067mm x 90mm)

10 lbs  
 4.5 kg

**10879 LED**

27 total watts, Standard 3000K/98+ CRI  
 ~2100 Fixture Lumens Universal 120-277V.  
 W 1" x L 48" x Projection 3.5"  
 (25mm x 1067mm x 90mm)

11 lbs  
 4.5 kg

**NOTES**

- UL listed (or equivalent) for damp locations.
- Backplates: 2"ø x 3/8" (51 x 10mm) or a 7/8"ø trim plate on premium mud style.
- 270 degree rotation
- The lamps standard in this fixture can be dimmed with 0-10V or forward-phase style dimmers.
- Driver must be mounted remotely.
- End Cap Style: Knurled or Smooth.

**STANDARD FINISHES**

- Earthen Bronze
- Blackened Bronze
- Satin Bronze

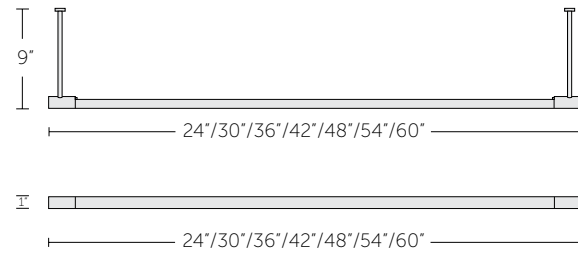
**SPECIALTY FINISHES**

- Satin Nickel





**10824-10830 Lucia Art Light**



**LAMPING/ DIMENSIONS**

<b>10824 LED</b> 12 total watts, Standard 3000K/98+ CRI ~1300 Fixture Lumens Universal 120-277V. H 1" x L 24" x Projection 9" (25mm x 610mm x 229mm)	7 lbs 3.2 kg
<b>10825 LED</b> 15 total watts, Standard 3000K/98+ CRI ~1600 Fixture Lumens Universal 120-277V. H 1" x L 30" x Projection 9" (25mm x 762mm x 229mm)	8 lbs 3.6 kg
<b>10826 LED</b> 19 total watts, Standard 3000K/98+ CRI ~2000 Fixture Lumens Universal 120-277V. H 1" x L 36" x Projection 9" (25mm x 914mm x 229mm)	9 lbs 4 kg
<b>10827 LED</b> 24 total watts, Standard 3000K/98+ CRI ~2550 Fixture Lumens Universal 120-277V. H 2" x L 42" x Projection 9" (25mm x 1067mm x 229mm)	10 lbs 4.5 kg
<b>10828 LED</b> 27 total watts, Standard 3000K/98+ CRI ~2900 Fixture Lumens Universal 120-277V. H 1" x L 48" x Projection 9" (25mm x 1219mm x 229mm)	11 lbs 5kg
<b>10829 LED</b> 32 total watts, Standard 3000K/98+ CRI ~3400 Fixture Lumens Universal 120-277V. H 1" x L 54" x Projection 9" (25mm x 1371mm x 229mm)	12lbs 5.5kg
<b>10830 LED</b> 36 total watts, Standard 3000K/98+ CRI ~3800 Fixture Lumens Universal 120-277V. H 1" x L 54" x Projection 9" (25mm x 1371mm x 229mm)	12lbs 5.5kg

**Notes**

- UL listed (or equivalent) for damp locations.
- Backplates: 2"ø x 3/8" (51 x 10mm) or a 7/8"ø trim plate on premium mud style.
- Wire Exit Location: left end or right end.
- The lamps standard in this fixture can be dimmed with ELV or MLV style dimmers
- Driver must be mounted remotely.
- End Cap Style: Knurled or Smooth.

**STANDARD FINISHES**

- Earthen Bronze
- Blackened Bronze
- Satin Bronze

**SPECIALTY FINISHES**

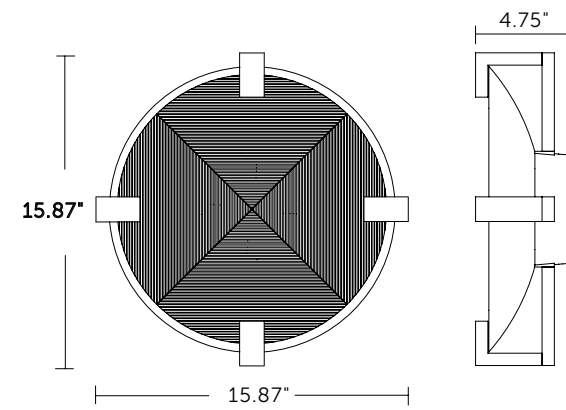
- Satin Nickel







## 10886 Quadrant Sconce



### LAMPING

#### LED

- 11 watts
- 2700 K, 90+ CRI
- Universal 120-277 V
- ~ 600 Fixture Lumens
- Lamps included with fixture

3000°k color temperature is available.

The LED lamps standard in this fixture can be dimmed with ELV; or MLV; or 0-10V low- voltage dimming controls and wiring.

**UL listed** (or equivalent) for damp locations

Backplate is cast and may exhibit slight imperfections, consistent with the casting process.

#### STANDARD FINISHES

- Antiqued Bronzes
- Blackened Bronze

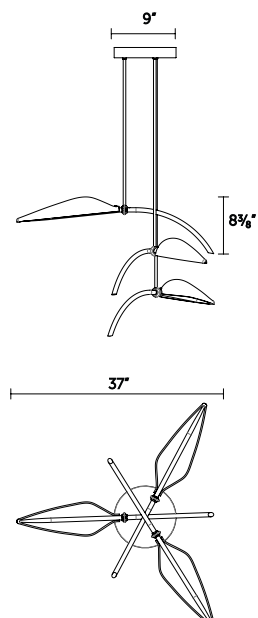
#### SPECIALTY FINISHES

- Satin Nickel





### 10754 Spire Leaf Pendant



#### LAMPING

##### LED

- 25 watts
- 2700 K, 90+ CRI
- Universal 120-277 V
- ~ 1900 Fixture Lumens
- Lamps included with fixture

3000°k color temperature is available.

The LED lamps standard in this fixture can be dimmed with ELV; or MLV; or 0-10V low-voltage dimming controls and wiring.

**UL listed** (or equivalent) for damp locations

**Shade:** porcelain

Height Overall: 36"-66" (914-1776 mm)

#### STANDARD FINISHES

- Antiqued Boyd Brass
- Blackened Brass
- Satin Brass

#### SPECIALTY FINISHES

- Satin Nickel

#### OPTIONS

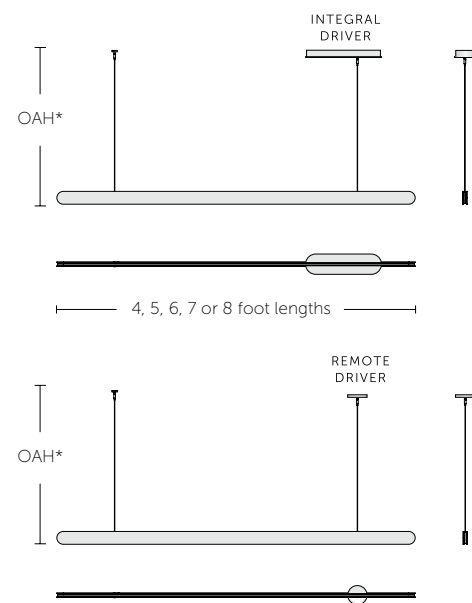
White Shade  
with Gold Leaf

Black Shade  
with Gold Leaf





- 10831 Blade Pendant 4'**
- 10832 Blade Pendant 5'**
- 10833 Blade Pendant 6'**
- 10834 Blade Pendant 7'**
- 10835 Blade Pendant 8'**



**LAMPING/ DIMENSIONS**

**10831 LED**  
 62 total watts, Standard 3000K/90+ CRI  
 ~3600 Fixture Lumens Universal 120-277V.  
 Frame H 3" x W 1" x L 47.75" 17 lbs  
 (76mm x 25mm x 1213mm) 7.7 kg

**10832 LED**  
 78 total watts, Standard 3000K/90+ CRI  
 ~4500 Fixture Lumens Universal 120-277V.  
 Frame H 3" x W 1" x L 59.75" 19 lbs  
 (76mm x 25mm x 1518mm) 8.6 kg

**10833 LED**  
 94 total watts, Standard 3000K/90+ CRI  
 ~5400 Fixture Lumens Universal 120-277V.  
 Frame H 3" x W 1" x L 71.75" 21 lbs  
 (76mm x 25mm x 1816mm) 9.5 kg

**10834 LED**  
 102 total watts, Standard 3000K/90+ CRI  
 ~6000 Fixture Lumens Universal 120-277V.  
 Frame H 3" x W 1" x L 83.75" 23 lbs  
 (76mm x 25mm x 2127mm) 10.5 kg

**10835 LED**  
 113 total watts, Standard 3000K/90+ CRI  
 ~6500 Fixture Lumens Universal 120-277V.  
 Frame H 3" x W 1" x L 95.75" 25 lbs  
 (76mm x 25mm x 2432mm) 11.4 kg

Canopy for Integral Driver: 17.75" x 4.75" (451 x 121mm)  
 Canopy for Remote Driver: 4.50" x .62" (121mm x 16mm)

Up-light and down-light wired for use with either one or two circuits. The LED lamps standard in this fixture can be dimmed with ELV; or MLV; or 0-10V low-voltage dimming controls and wiring.

**Height Overall:** 12" - 72" (304 - 1829 mm)

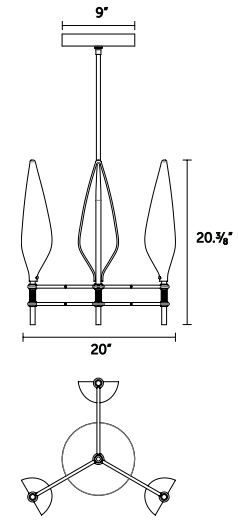
**STANDARD FINISHES**

Black Granite, Dark Bronze, Gossamer Aluminum, Light Bronze, Gloss White.





### 10753 Spire Pendant 3



#### LAMPING

##### LED

- 25 watts
- 2700 K, 90+ CRI
- Universal 120-277 V
- ~ 1900 Fixture Lumens
- Lamps included with fixture

3000°k color temperature is available.

The LED lamps standard in this fixture can be dimmed with ELV; or MLV; or 0-10V low-voltage dimming controls and wiring.

**UL listed** (or equivalent) for damp locations

**Shade:** porcelain

Height Overall: 36"-66" (914-1776 mm)

#### STANDARD FINISHES

- Antiqued Boyd Brass
- Blackened Brass
- Satin Brass

#### SPECIALTY FINISHES

- Satin Nickel

#### OPTIONS

White Shade  
with Gold Leaf

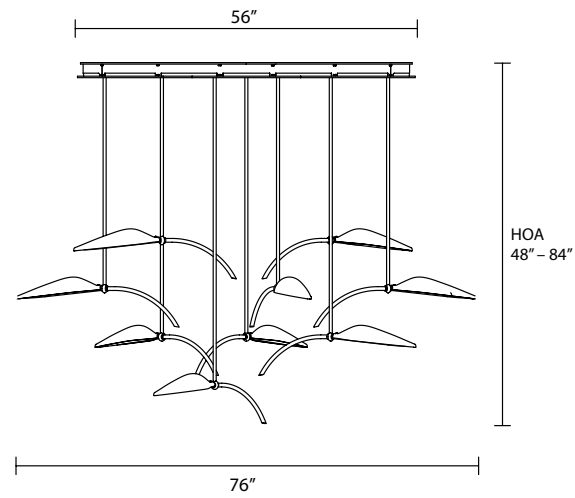
Black Shade  
with Gold Leaf







## 10755 Spire Leaf Pendant 9



### LAMPING

#### LED

- 70 watts
- 2700 k, 90+ CRI
- Universal 120-277 V
- ~2750 fixture lumens up, ~2500 fixture lumens down.
- Lamps included with fixture

3000°k and 3500°k color temperature is available.

The LED lamps standard in this fixture can be dimmed with ELV; or MLV; or 0-10v low-voltage dimming controls and wiring.

Drivers must be mounted remotely.

**Shade:** Porcelain

**Crown brass banding:** finished to match stems unless otherwise specified

**Crown Aluminum Support Plates:** Dark Bronze, Prismatic Gold, Silver Fog, Gossamer Aluminum

**Height Overall:** 48" - 84 (1219 - 2134 mm)

### STANDARD FINISHES

- Antiqued Boyd Brass
- Blackened Brass
- Satin Brass

### SPECIALTY FINISHES

- Satin Nickel

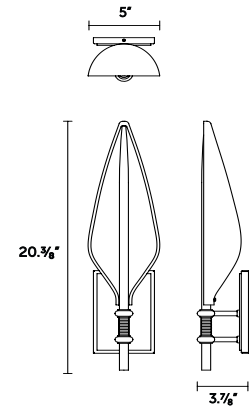
### OPTIONS

White Shade  
with Gold Leaf

Black Shade  
with Gold Leaf



## 10751 Spire Sconce



### LAMPING

#### LED

- 25 watts
- 2700 K, 90+ CRI
- Universal 120-277 V
- ~ 1900 Fixture Lumens
- Lamps included with fixture

3000°k color temperature is available.

The LED lamps standard in this fixture can be dimmed with ELV; or MLV; or 0-10V low-voltage dimming controls and wiring.

**UL listed** (or equivalent) for damp locations

**Shade:** porcelain

Height Overall: 36"-66" (914-1776 mm)

### STANDARD FINISHES

- Antiqued Boyd Brass
- Blackened Brass
- Satin Brass

### SPECIALTY FINISHES

- Satin Nickel

### OPTIONS

White Shade  
with Gold Leaf

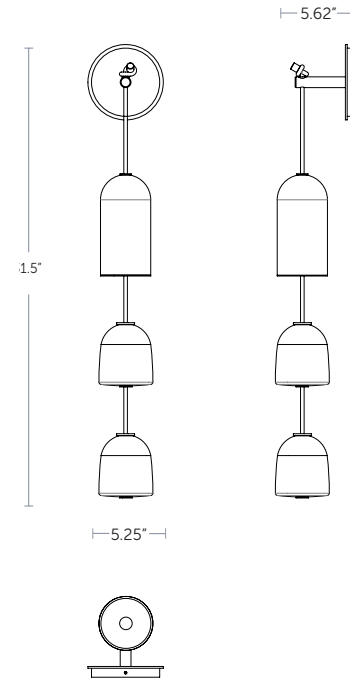
Black Shade  
with Gold Leaf







**10821 Lily Sconce**



**LAMPING**

**LED**

- 3.33 watts
  - 2700 K, 90+ CRI
  - Universal 120-277 V
  - ~300 Fixture Lumens
- Lamps included with fixture

Driver must be mounted remotely

The LED lamps standard in this fixture can be dimmed with basic forward-phase dimming controls and wiring.

**UL listed** (or equivalent) for damp locations

**Shade:** gloss white opal glass

**STANDARD FINISHES**

- Antiqued Boyd Brass
- Blackened Brass
- Satin Brass

**SPECIALTY FINISHES**

- Satin Nickel

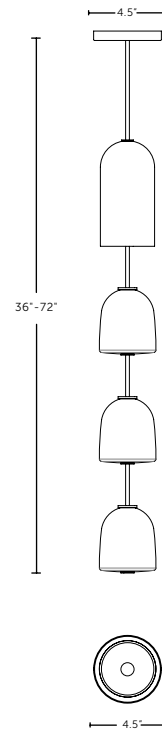
**CORD COLOR**

- Charcoal
- Dark olive
- Red
- Silver
- Warm Tan
- Navy Blue
- Black





### 10819 Lily Pendant 1



#### LAMPING

##### LED

- 5 watts
- 2700 k, 90+ CRI
- Universal 120-277 V
- ~450 Fixture Lumens
- Lamps included with fixture

Driver must be mounted remotely. The LED lamps standard in this fixture can be dimmed with basic forward-phase dimming controls and wiring.

**UL listed** (or equivalent) for damp locations

**Height Overall:** 36" - 72" (914 - 1829 mm)

**Shade:** gloss white opal glass

#### STANDARD FINISHES

- Antiqued Boyd Brass
- Blackened Brass
- Satin Brass

#### SPECIALTY FINISHES

- Satin Nickel

#### CORD COLOR

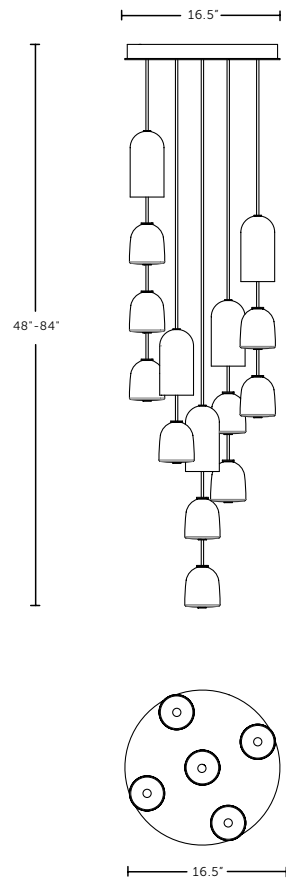
- Charcoal
- Dark olive
- Red
- Silver
- Warm Tan
- Navy Blue
- Black







### 10818 Lily Pendant 5



#### LAMPING

##### LED

- 20 watts
- 2700 K, 90+ CRI
- Universal 120-277 V
- ~1150 Fixture Lumens
- Lamps included with fixture
- 

The LED lamps standard in this fixture can be dimmed with basic forward-phase dimming controls and wiring.

**UL listed** (or equivalent) for damp locations

**Height Overall:** 48" - 84" (1219 - 2134 mm)

**Shade:** gloss white opal glass

#### STANDARD FINISHES

- Antiqued Boyd Brass
- Blackened Brass
- Satin Brass

#### SPECIALTY FINISHES

- Satin Nickel

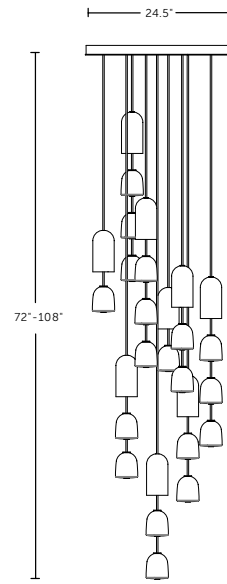
#### CORD COLOR

- Charcoal
- Dark olive
- Red
- Silver
- Warm Tan
- Navy Blue
- Black





## 10820 Lily Pendant 9



### LAMPING

#### LED

- 34 watts
- 2700 K 90+ CRI
- Universal 120-277 V
- ~2500 Fixture Lumens
- Lamps included with fixture

The LED lamps standard in this fixture can be dimmed with basic forward-phase dimming controls and wiring.

**UL listed** (or equivalent) for damp locations

**Height Overall:** 72" - 108" (1829 - 2743 mm)

**Shade:** gloss white opal glass

#### STANDARD FINISHES

- Antiqued Boyd Brass
- Blackened Brass
- Satin Brass

#### SPECIALTY FINISHES

- Satin Nickel

#### CORD COLOR

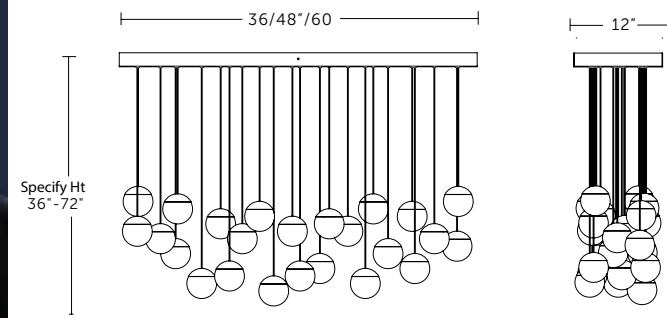
- Charcoal
- Dark olive
- Red
- Silver
- Warm Tan
- Navy Blue
- Black







**10854 Callisto Linear 36**  
**10856 Callisto Linear 48**  
**10858 Callisto Linear 60**



**LAMPING**

**10854 Linear 36**

**LED**

34 watts, ~2700 lumens, Universal 120-277V  
 Color Temperature: 2700K, 90+ CRI

**10856 Linear 48**

**LED**

48 watts, ~3600 lumens, Universal 120-277V  
 Color Temperature: 2700K, 90+ CRI

**10858 Linear 60**

**LED**

60 watts, ~4500 lumens, Universal 120-277V  
 Color Temperature: 2700K, 90+ CRI

The LED lamps standard in this fixture can be dimmed with ELV; or MLV; or 0-10V low-voltage dimming controls and wiring.

**UL listed** (or equivalent) for damp locations

**Height Overall:** 36" - 78" (914 - 1981 mm)

**Hanging element:** Alabaster

There will be variations in color and veining of alabaster spheres

**STANDARD FINISHES**

- Antiqued Boyd Brass
- Earthen Brass
- Blackened Brass
- Satin Brass

**SPECIALTY FINISHES**

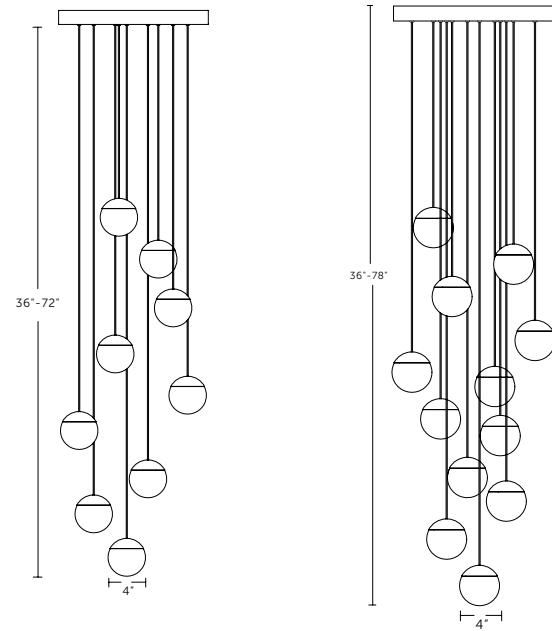
- Satin Nickel







**10849 Callisto Pendant 9**  
**10849 Callisto Pendant 12**  
**10851 Callisto Pendant 18**



**LAMPING**

**Callisto Pendant 9**

- LED**
- 12 watts
  - 2700 k, 90+ CRI
  - Universal 120-277 V
  - ~750 Fixture Lumens
- Lamps included with fixture

**Callisto Pendant 12**

- LED**
- 22 watts
  - 2700 K 90+ CRI
  - Universal 120-277 V
  - ~ 1800 Fixture Lumens
- Lamps included with fixture

**Callisto Pendant 18**

- LED**
- 22 watts
  - 2700 K 90+ CRI
  - Universal 120-277 V
  - ~ 1800 Fixture Lumens
- Lamps included with fixture

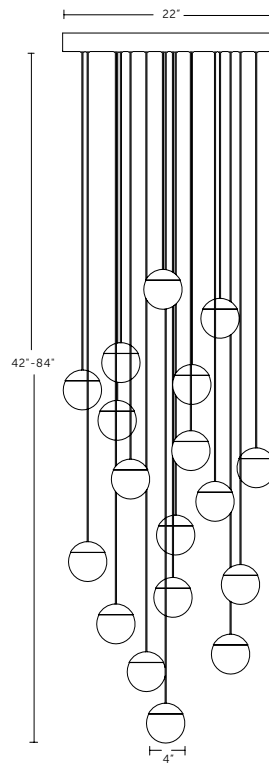
**Hanging element:** Alabaster  
 There will be variations in color and veining of alabaster spheres

**STANDARD FINISHES**

- Antiqued Boyd Brass
- Blackened Brass
- Earthen Brass
- Satin Brass

**SPECIALTY FINISHES**

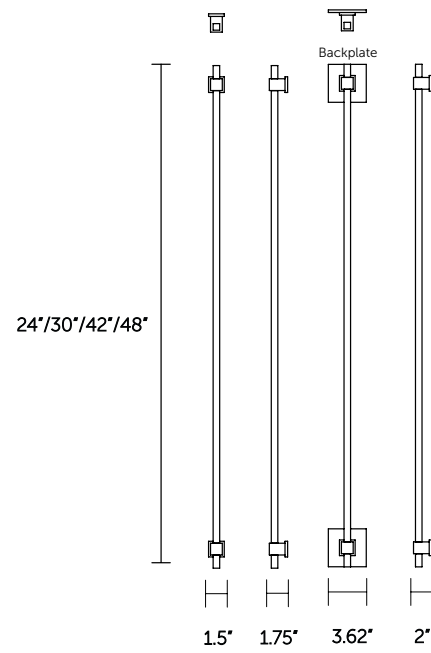
- Satin Nickel







- 10739 Axis Sconce 24"
- 10736 Axis Sconce 30"
- 10737 Axis Sconce 36"
- 10749 Axis Sconce 42"
- 10738 Axis Sconce 48"



**10739 (24")**

**LED**

8 watts ~700 lumens Universal 120v-277v.

Color Temperature: 3000° K 90+ CRI

**10736 (30")**

**LED**

11 watts ~850 lumens Universal 120v-277v.

Color Temperature: 3000° K 90+ CRI

**10737 (36")**

**LED**

13 watts ~1000 lumens Universal 120v-277v.

Color Temperature: 3000° K 90+ CRI

**10749 (42")**

**LED**

15 watts ~1000 lumens Universal 120v-277v.

Color Temperature: 3000° K 90+ CRI

**10738 (48")**

**LED**

17 watts ~1000 lumens Universal 120v-277v.

Color Temperature: 3000° K 90+ CRI

2700°k color temperature is available.

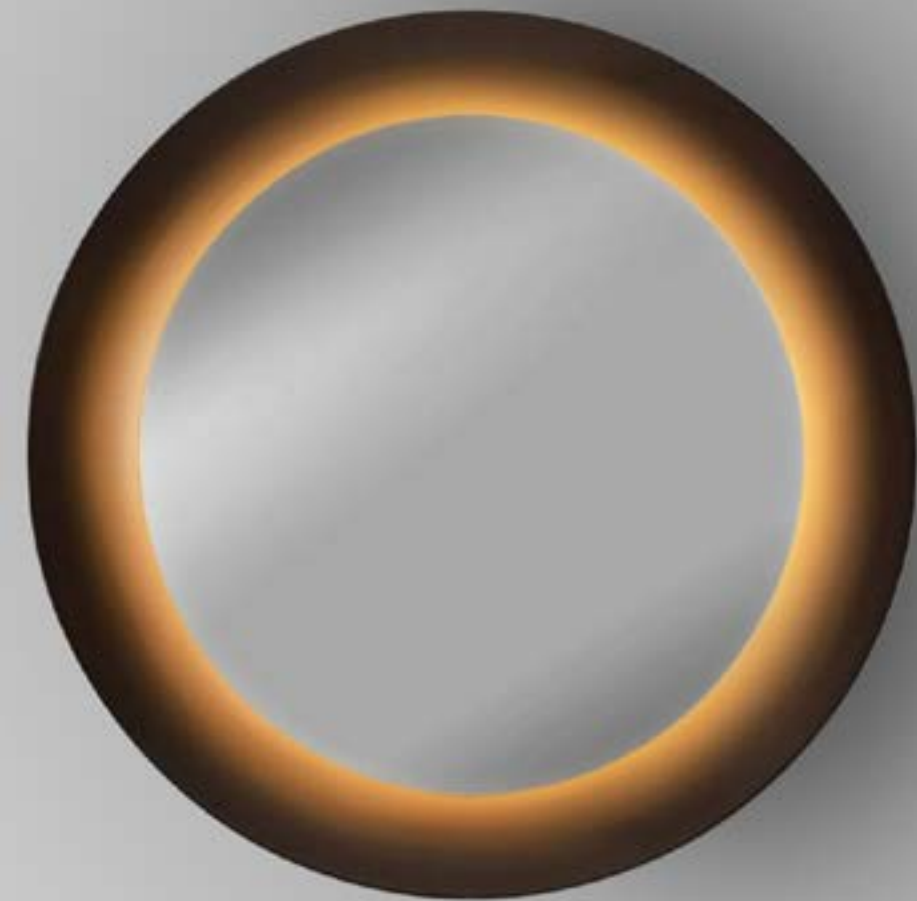
**STANDARD FINISHES**

- Antiqued Boyd Brass
- Blackened Brass
- Satin Brass

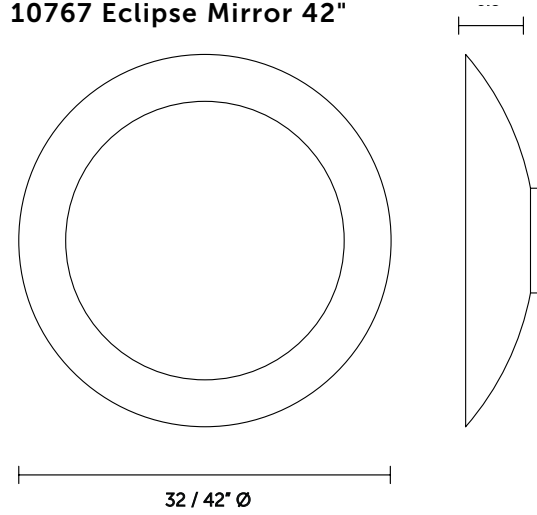
**SPECIALTY FINISHES**

- Satin Nickel





10766 Eclipse Mirror 32"  
10767 Eclipse Mirror 42"



**LAMPING**

**LED**

- 36 watts
- 2700 K, 90+ CRI
- Universal 120-277 V
- ~2000 Fixture Lumens
- Lamps included with fixture

The LED lamps standard in this fixture can be dimmed with ELV; or MLV; or 0-10v low voltage dimming controls and wiring.

Available in soda-lime and water white glass.

UL listed (or equivalent) for damp locations

**STANDARD FINISHES**

- Black Granite
- Cloud
- Dark Bronze
- Light Bronze
- Golden Gate Orange

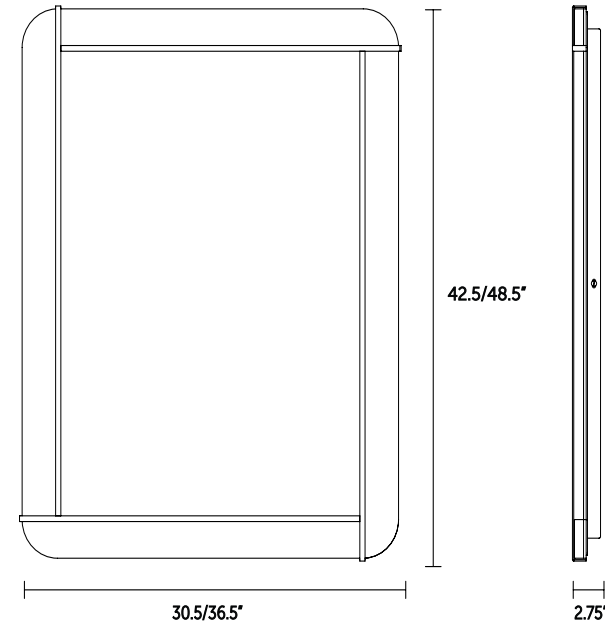
White or Yellow Gold Leafing







**10808 Volterra Mirror Small**  
**10809 Volterra Mirror Large**



**LAMPING**

**SMALL**

- 32 watts
  - 2700 K, 90+ CRI
  - Universal 120-277 V
  - ~1200 Fixture Lumens
- Lamps included with fixture

**LARGE**

- 40 watts
  - 2700 K, 90+ CRI
  - Universal 120-277 V
  - ~1500 Fixture Lumens
- Lamps included with fixture

3000°k color temperatures are available.

The LED lamps standard in this fixture can be dimmed with ELV; or MLV; or 0-10v low voltage dimming controls and wiring.

Decorative Illuminated border: Alabaster  
\*There will be some variation veining and color of Alabaster.

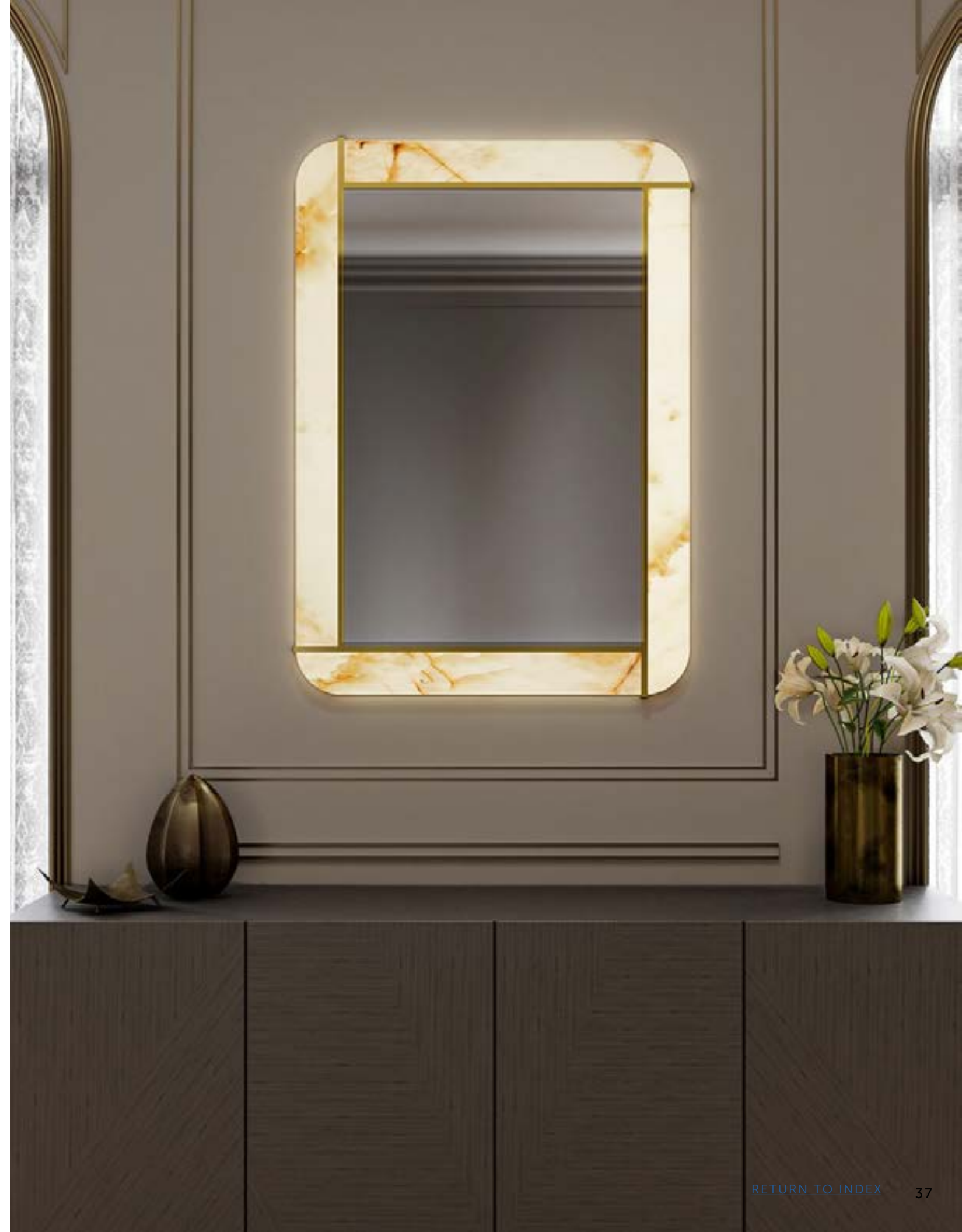
UL listed (or equivalent) for damp locations

**STANDARD FINISHES**

- Antiqued Boyd Brass
- Blackened Brass
- Satin Brass

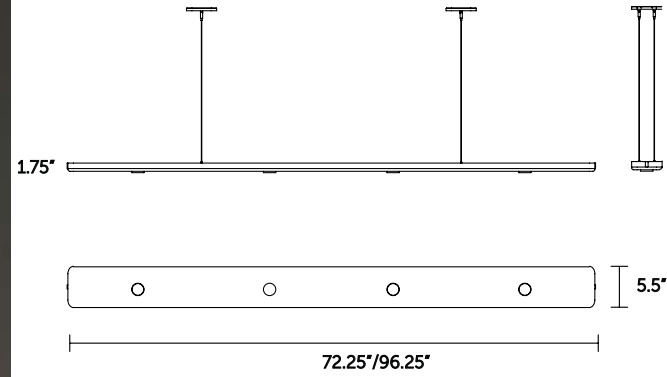
**SPECIALTY FINISHES**

- Satin Nickel





**10813 Numi Linear Pendant 6'**  
**10814 Numi Linear Pendant 8'**



**LAMPING**

**LED**

- 70 watts
  - 2700 k, 90+ CRI
  - Universal 120-277 V
  - ~2750 fixture lumens up, ~2500 fixture lumens down.
- Lamps included with fixture

3000°k and 3500°k color temperature is available.

The LED lamps standard in this fixture can be dimmed with ELV; or MLV; or 0-10v low-voltage dimming controls and wiring.

Drivers must be mounted remotely.

**Height Overall:** 12" - 72" (300 - 1830 mm)

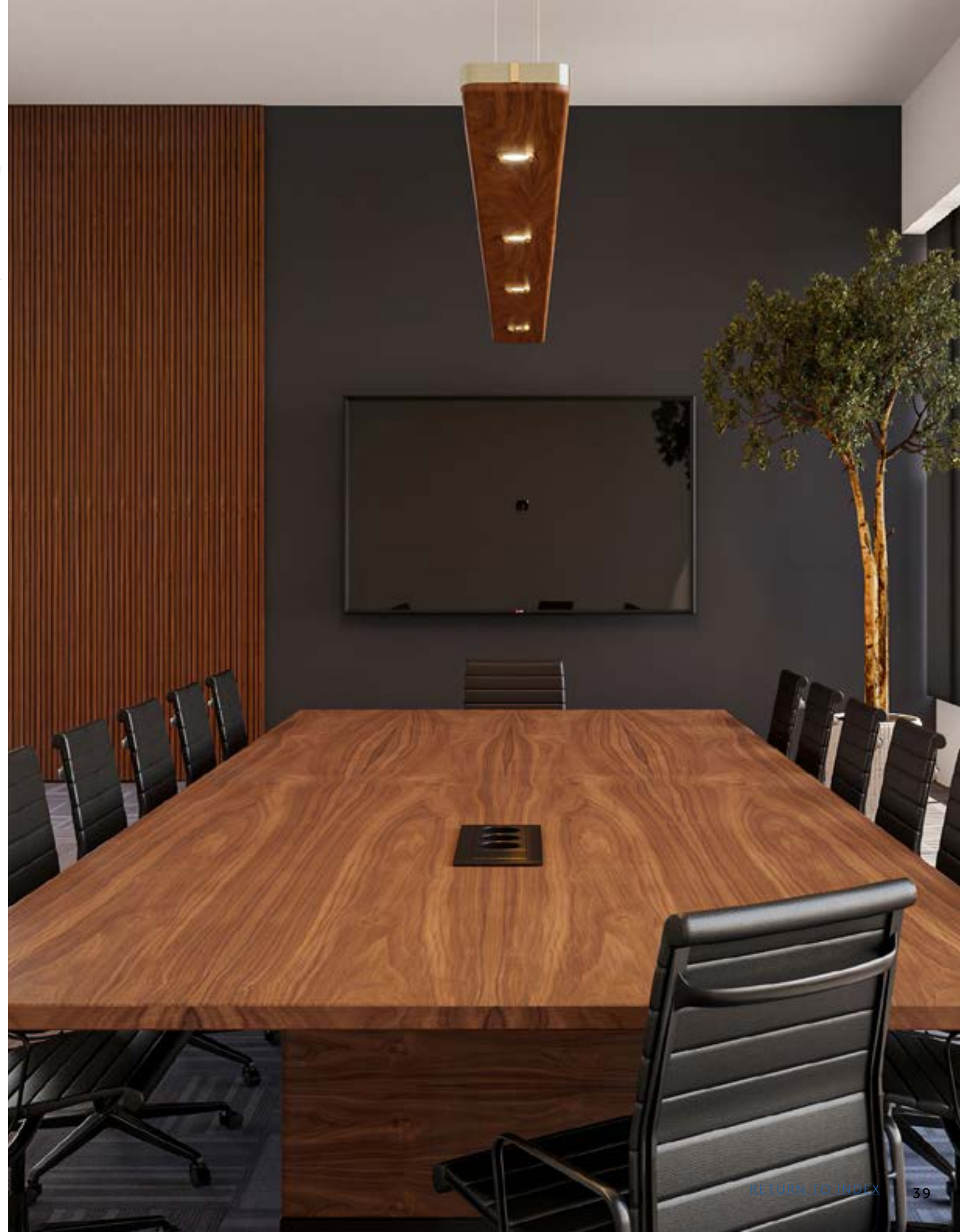
**Specify Wood options:** Butternut, Roasted Brown, and Squall

Up-light and down-light wired for use with either one or two circuits

UL listed (or equivalent) for damp locations

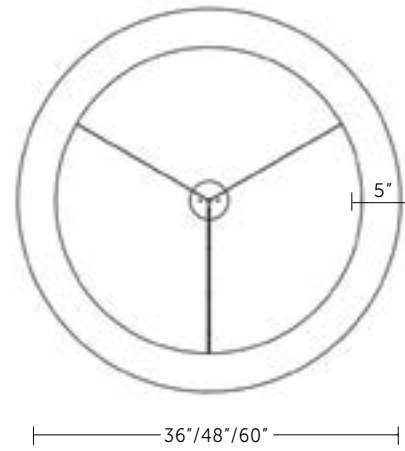
**STANDARD FINISHES**

- Antiqued Boyd Brass
- Blackened Brass
- Dark Bronze
- Satin Brass





**DA3040 NUMI 36/48/60**



**LAMPING**

**DA3040-36**

**LED**

40 watts ~2400 Lumens Universal 120v-277v.  
Color Temperature: 2700K 90+ Cri

**DA3040-48**

**LED**

47 watts ~2800 Lumens Universal 120v-277v.  
Color Temperature: 2700K 90+ Cri

**DA3040-60**

**LED**

60 watts ~4300 Lumens Universal 120v-277v.  
Color Temperature: 2700K 90+ Cri

Drivers must be mounted remotely.

**Height Overall:** 12" - 72" (300 - 1830 mm)

Up-light and down-light wired for use with either one or two circuits

UL listed (or equivalent) for damp locations

**Specify Wood options:** Butternut, Roasted Brown, and Squall

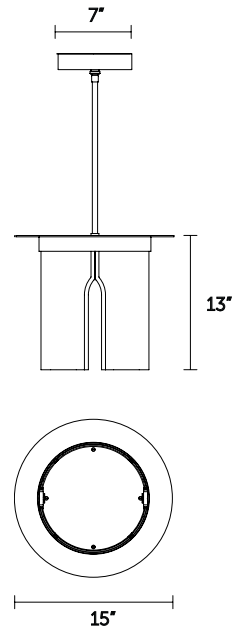
**STANDARD FINISHES**

- Antiqued Boyd Brass
- Blackened Brass
- Dark Bronze
- Satin Brass





### 10796 Duet Pendant



#### LAMPING

##### LED

- 18 watts max
- 2700 k., 90+ CRI
- Universal 120-277 V
- ~1300 fixture lumens
- Lamp included with fixture

3000°k color temperature is available.

The LED lamps standard in this fixture can be dimmed with 0-10V ELV, or Triac style dimmers

**Height Overall:** 30"-60" (762-1524 mm)

UL listed (or equivalent) for damp locations

Shade: clear rippled glass or white opal rippled glass

#### STANDARD FINISHES

- Antiqued Boyd Brass
- Blackened Brass
- Satin Brass

#### SPECIALTY FINISHES

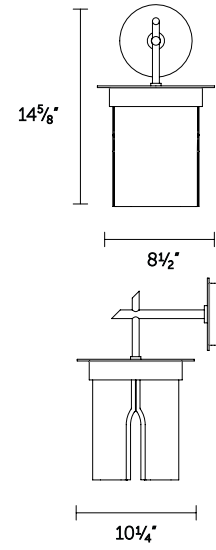
- Satin Nickel







### 10796 Duet Sconce



#### LAMPING

##### LED

- 6 watts
- 2700 K, 90+ CRI
- Universal 120-277 V
- ~ 500 Fixture Lumens
- Lamps included with fixture

3000°k color temperature is available.

The driver must be mounted remotely.

The LED lamps standard in this fixture can be dimmed with 0-10V ELV, or Triac style dimmers

Center of outlet box to top of fixture:  
2.62" (67 mm)

For ADA compliance, height of outlet box above finished floor:  
92" (2337 mm)

UL listed (or equivalent) for damp locations

Shade: clear rippled glass or white opal rippled glass

#### STANDARD FINISHES

- Antiqued Boyd Brass
- Blackened Brass
- Satin Brass

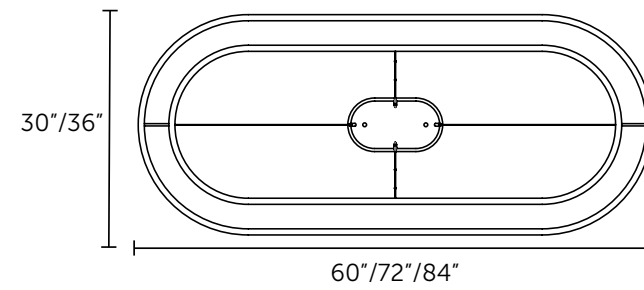
#### SPECIALTY FINISHES

- Satin Nickel





- 10705 Ghost Parabolica 60" x 30"
- 10706 Ghost Parabolica 72" x 30"
- 10707 Ghost Parabolica 72" x 36"
- 10708 Ghost Parabolica 84" x 36"



#### LAMPING

##### LED

- 90 watts
- 2700 K, 90+ CRI
- Universal 120-277 V
- ~ 4100 Fixture Lumens
- Lamps included with fixture

3500 K color temperature is available

The LED lamps standard in this fixture can be dimmed with ELV; or MLV; or 0-10V low-voltage dimming controls and wiring.

Micro-etched: 56% uplight/44% downlight

Stainless steel aircraft cables can be minimally adjusted on-site via spring-loaded cable grips.

**Height Overall:** 30" - 84" (762 - 2134 mm)

UL listed (or equivalent) for damp locations

#### STANDARD FINISHES

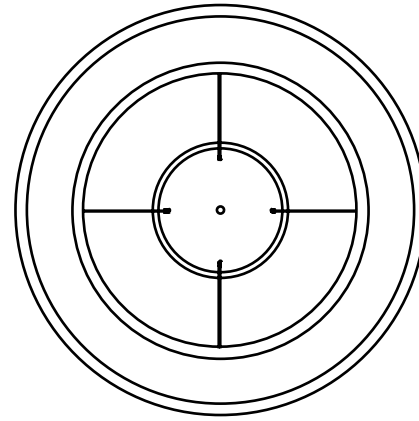
- Dark Bronze
- Light Bronze
- Black Granite
- Cloud







**10702 Ghost Round 36**  
**10703 Ghost Round 48**



36"/48"

**LAMPING**

**LED**

- 81 watts
- 2700 K, 90+ CRI
- Universal 120-277 V
- ~ 3600 Fixture Lumens
- Lamps included with fixture

Standard fixture with integral driver is dimmable with 0-10v, ELV, or Triac dimming systems. Contact your local rep for additional information.

Micro-etched: 56% uplight/44% downlight

Stainless steel aircraft cables can be minimally adjusted on-site via spring-loaded cable grips.

UL listed (or equivalent) for damp locations

**Height Overall:** 24" - 48" (610 - 1219 mm)

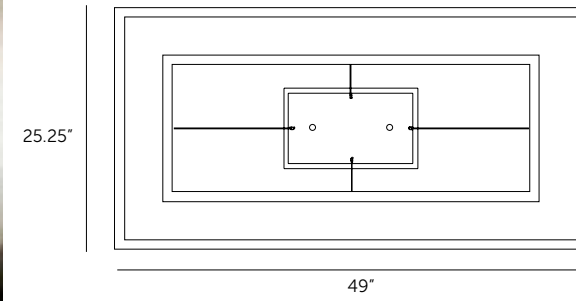
**STANDARD FINISHES**

- Dark Bronze
- Light Bronze
- Black Granite
- Cloud





### 10701 Ghost Rectangle Pendant



#### LAMPING

##### LED

- 81 watts
- 2700 K, 90+ CRI
- Universal 120-277 V
- ~ 3600 Fixture Lumens
- Lamps included with fixture

Standard fixture with integral driver is dimmable with 0-10v, ELV, or Triac dimming systems. Contact your local rep for additional information.

Micro-etched: 56% uplight/44% downlight

Stainless steel aircraft cables can be minimally adjusted on-site via spring-loaded cable grips

UL listed (or equivalent) for damp locations

**Height Overall:** 30" - 54" (762 - 1372 mm)

#### STANDARD FINISHES

- Dark Bronze
- Light Bronze
- Black Granite
- Cloud

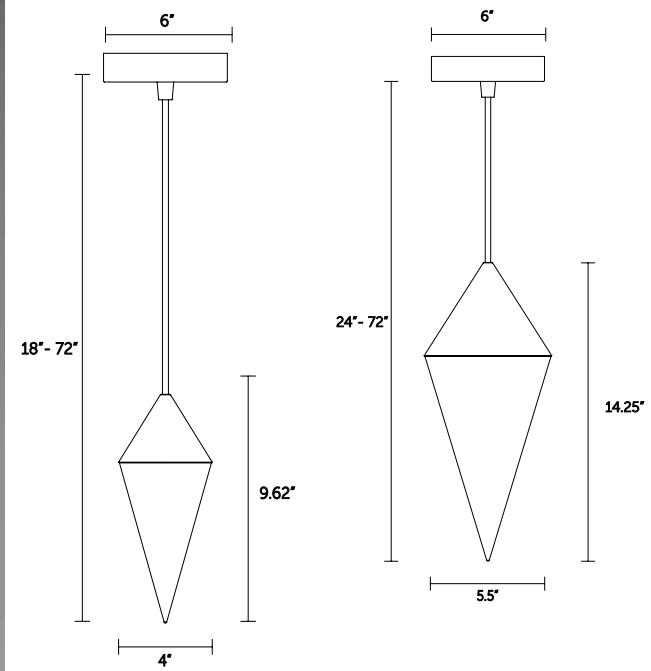






**10780 Nebula Pendant Small**

**10781 Nebula Pendant Large**



**LAMPING**

**10780**

**LED**

- 6 watts
- 2700 K 90+ CRI
- Universal 120-277 V
- ~400 Fixture Lumens
- Lamps included with fixture

**10781**

**LED**

- 6 watts
- 2700 K 90+ CRI
- Universal 120-277 V
- ~400 Fixture Lumens
- Lamps included with fixture

3000°k color temperature is available.

The LED lamps standard in this fixture can be dimmed with 0-10V ELV, or Triac style dimmers

**Height Overall:** 18"/24" - 72" (457/610 - 1829 mm)

**STANDARD FINISHES**

- Antiqued Boyd Brass
- Blackened Brass
- Satin Brass

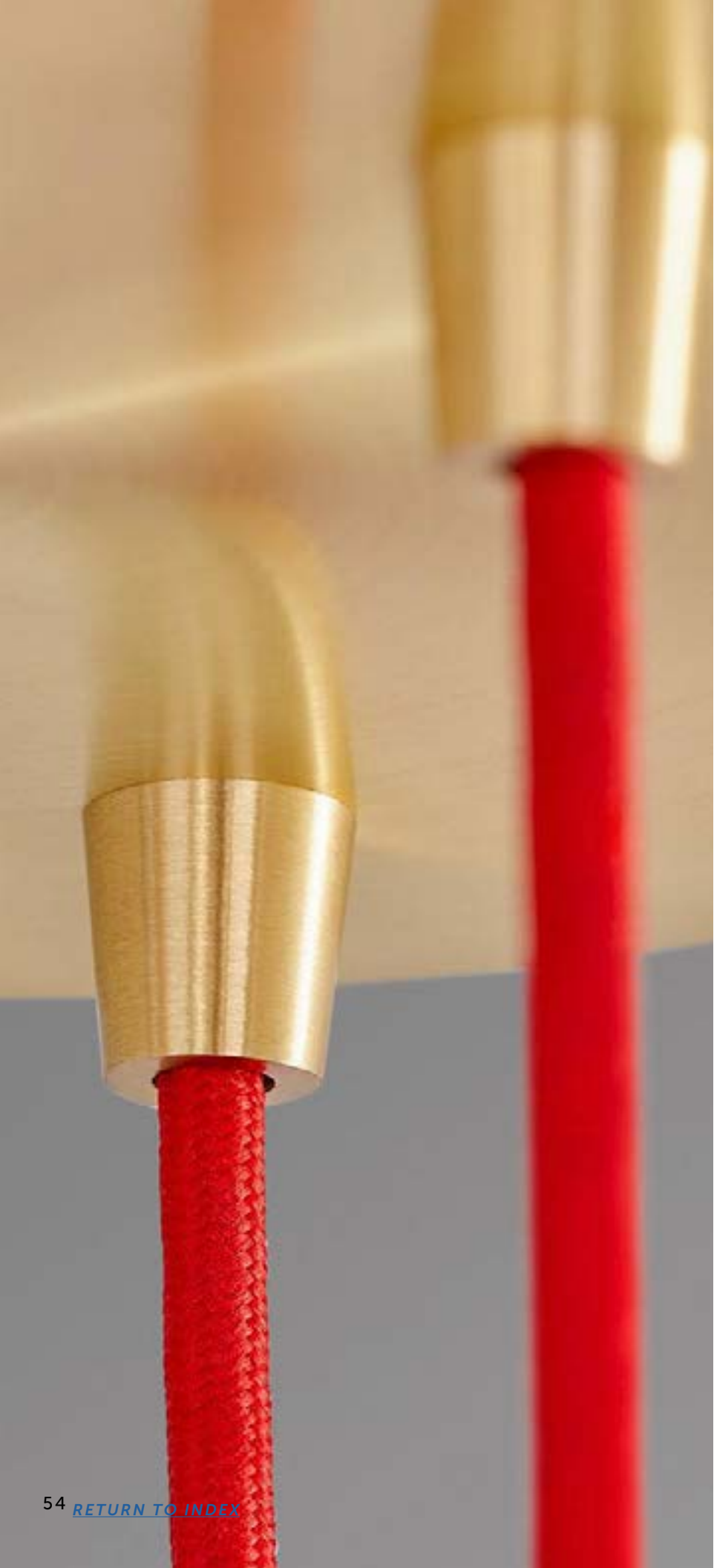
**SPECIALTY FINISHES**

- Satin Nickel

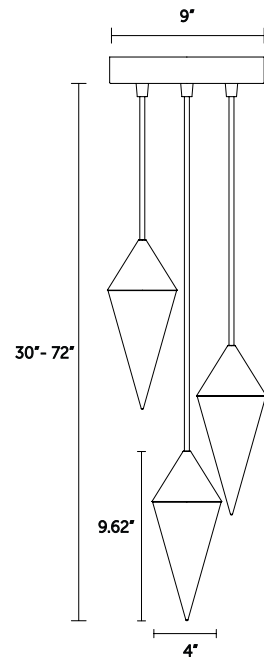
**CORD COLOR**

- Charcoal
- Dark olive
- Red
- Silver
- Warm Tan
- Navy Blue
- Black





### 10782 Nebula Pendant 3



#### LAMPING

##### LED

- 18 watts
- 2700 K 90+ CRI
- Universal 120-277 V
- ~1200 Fixture Lumens
- Lamps included with fixture

3000°k color temperature is available.

The LED lamps standard in this fixture can be dimmed with 0-10V ELV, or Triac style dimmers

**Height Overall:** 30" - 72" (762 - 1829 mm)

#### STANDARD FINISHES

- Antiqued Boyd Brass
- Blackened Brass
- Satin Brass

#### SPECIALTY FINISHES

- Satin Nickel

#### CORD COLOR

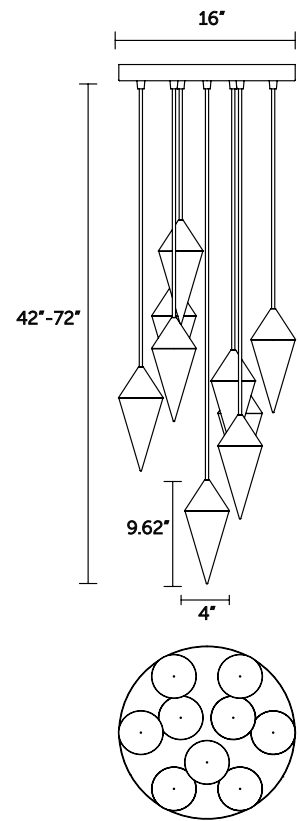
- Charcoal
- Dark olive
- Red
- Silver
- Warm Tan
- Navy Blue
- Black







### 10783 Nebula Pendant 9



#### LAMPING

##### LED

- 18 watts
- 2700 K 90+ CRI
- Universal 120-277 V
- ~1200 Fixture Lumens
- Lamps included with fixture

3000°k color temperature is available.

The LED lamps standard in this fixture can be dimmed with 0-10V ELV, or Triac style dimmers

Pendant: Alabaster and Brass  
 There will be some variation in color and veining of Alabaster.  
 Custom configurations and sizes available upon request

**Height Overall:** 30" - 72" (762 - 1829 mm)

#### STANDARD FINISHES

- Antiqued Boyd Brass
- Blackened Brass
- Satin Brass

#### SPECIALTY FINISHES

- Satin Nickel

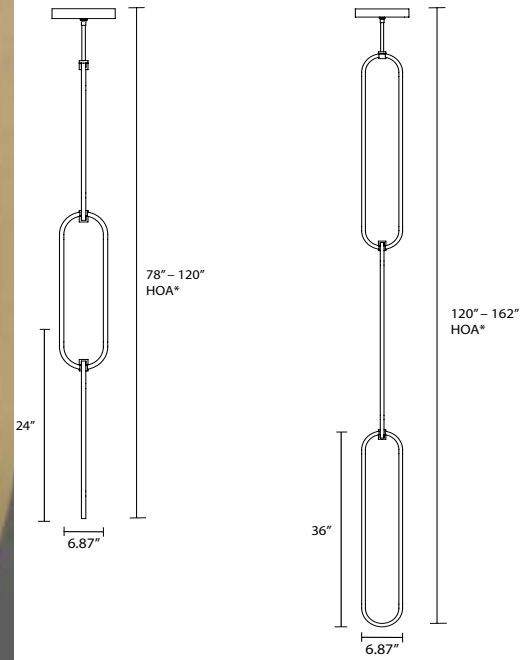
#### CORD COLOR

- Charcoal
- Dark olive
- Red
- Silver
- Warm Tan
- Navy Blue
- Black





**10744 Ovalo Chain Single Pendant 24"**  
**10745 Ovalo Chain Single Pendant 36"**



**LAMPING**

**LED**

- 50 watts
- 2700 K 90+ CRI
- Universal 120-277 V
- ~ 3800 Fixture Lumens
- Lamps included with fixture

3000°k color temperature is available.

Standard fixture with integral driver is dimmable with 0-10v, ELV, or Triac dimming systems. Contact your local rep for additional information.

**Height Overall:** 78"-120" (1981-3048 mm)

**STANDARD FINISHES**

- Antiqued Boyd Brass
- Blackened Brass
- Satin Brass

**SPECIALTY FINISHES**

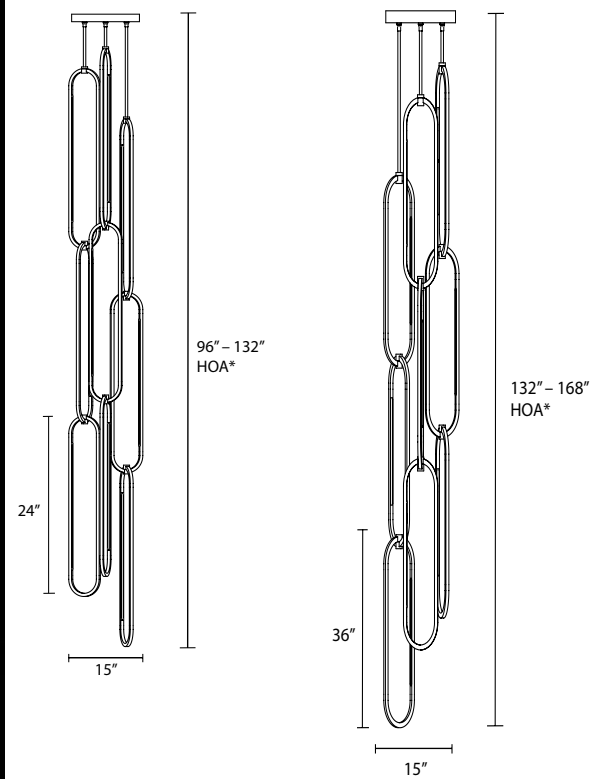
- Satin Nickel







**10770 Ovalo Chain Cluster 24"**  
**10771 Ovalo Chain Cluster 36"**



**LAMPING**

**LED**

- 150 watts
- 2700 k 90+ CRI
- Universal 120-277 V
- ~ 11000 Fixture Lumens
- Lamps included with fixture

3000°k color temperature is available.

Standard fixture with integral driver is dimmable with 0-10v, ELV, or Triac dimming systems. Contact your local rep for additional information. UL listed (or equivalent) for damp locations

**Height Overall:**

#10770  
 96"-132" (2438-3353 mm)

#10771  
 132"-168" (3353-4267 mm)

**STANDARD FINISHES**

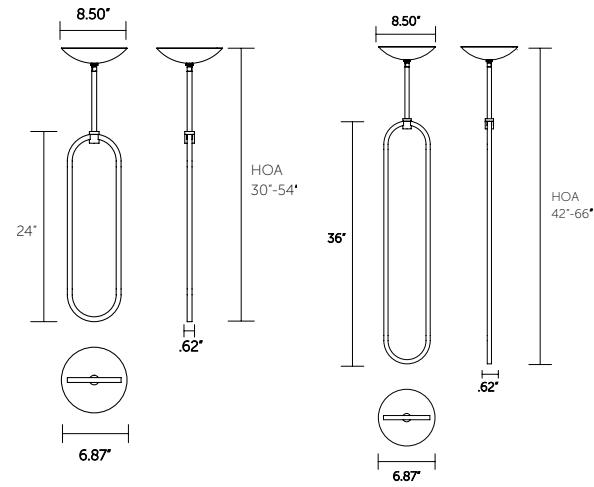
- Antiqued Boyd Brass
- Blackened Brass
- Satin Brass

**SPECIALTY FINISHES**

- Satin Nickel



**10740 Ovalo Single 24"**  
**10742 Ovalo Single 36"**



**LAMPING**

**LED**

- 25 watts
- 2700 k 90+ CRI
- Universal 120-277 V
- ~ 1900 Fixture Lumens
- Lamps included with fixture

3000°k color temperature is available.

Standard fixture with integral driver is dimmable with 0-10v, ELV, or Triac dimming systems. Contact your local rep for additional information.

**Height Overall:**

#10740  
30"-54" (914-1372 mm)

#10742  
42"-66" (1070-1680 mm)

**STANDARD FINISHES**

- Antiqued Boyd Brass
- Blackened Brass
- Satin Brass

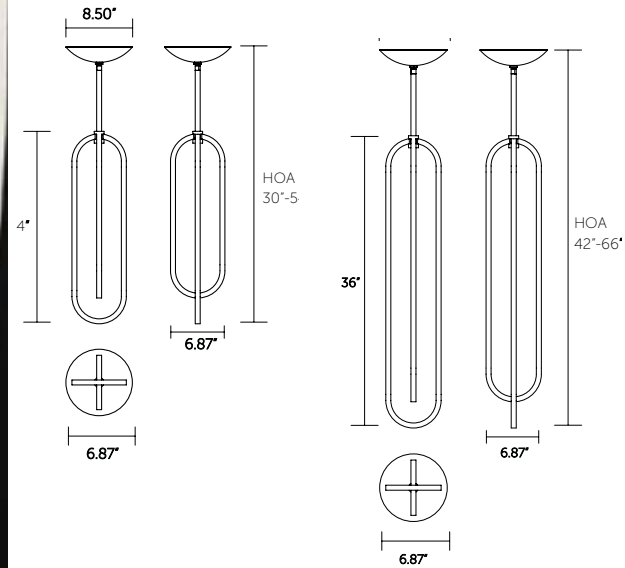
**SPECIALTY FINISHES**

- Satin Nickel





**10741 Ovalo Double 24"**  
**10743 Ovalo Double 36"**



**LAMPING**

**LED**

- 25 watts
- 2700 k 90+ CRI
- Universal 120-277 V
- ~ 1900 Fixture Lumens
- Lamps included with fixture

3000°k color temperature is available.

Standard fixture with integral driver is dimmable with 0-10v, ELV, or Triac dimming systems. Contact your local rep for additional information.

**Height Overall:**

**#10741**  
30"-54" (914-1372 mm)

**#10743**  
42"-66" (1070-1680 mm)

**STANDARD FINISHES**

- Antiqued Boyd Brass
- Blackened Brass
- Satin Brass

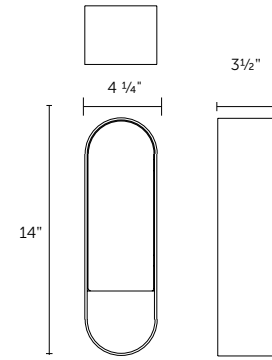
**SPECIALTY FINISHES**

- Satin Nickel





### 10725 Loop Single Sconce



#### LAMPING

##### LED

- 7 watts max
- 2700 K 90+ CRI
- Universal 120-277 V
- ~500 fixture lumens
- Lamp included with fixture

3000°k and 3500°k color temperatures, and Warm Dim LEDs are available.

Standard fixture with integral driver is dimmable with 0-10v, ELV, or Triac dimming systems. Upcharges will apply for custom remote dimming. Remote dimmable drivers will offer up to 50% greater lumen output. Contact your local rep for additional information.

UL listed (or equivalent) for damp locations

#### STANDARD FINISHES

- Antiqued Boyd Brass
- Blackened Brass
- Satin Brass

#### SPECIALTY FINISHES

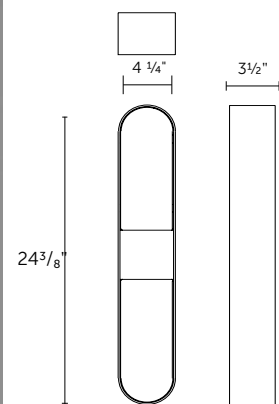
- Satin Nickel







### 10726 Loop Double Sconce



#### LAMPING

##### LED

- 18 watts max
- 2700 K 90+ CRI
- Voltage 120 V - 277 V
- ~1000 fixture lumens
- Lamp included with fixture

3000°k and 3500°k color temperatures, and Warm Dim LEDs are available.

Driver must be mounted remotely.

Standard fixture with integral driver is dimmable with 0-10v, ELV or Triac dimming systems. Contact your local rep for additional information.

UL listed (or equivalent) for damp locations

#### STANDARD FINISHES

- Antiqued Boyd Brass
- Blackened Brass
- Satin Brass

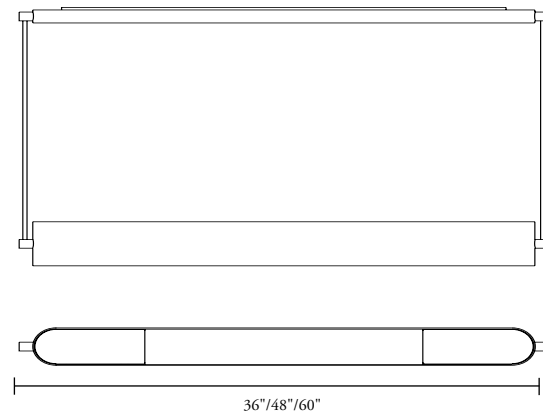
#### SPECIALTY FINISHES

- Satin Nickel





- 10728 Loop Pendant 36"
- 10729 Loop Pendant 48"
- 10730 Loop Pendant 60"



**LAMPING**

**LED**

- 36 watts
- 2700 K 90+ CRI
- Universal 120-277 V
- ~3000 Fixture Lumens
- Lamps included with fixture

Standard fixture with integral driver is dimmable with 0-10v, ELV, or Triac dimming systems. Contact your local rep for additional information

UL listed (or equivalent) for damp locations

**STANDARD FINISHES**

- Antiqued Boyd Brass
- Blackened Brass
- Satin Brass

**SPECIALTY FINISHES**

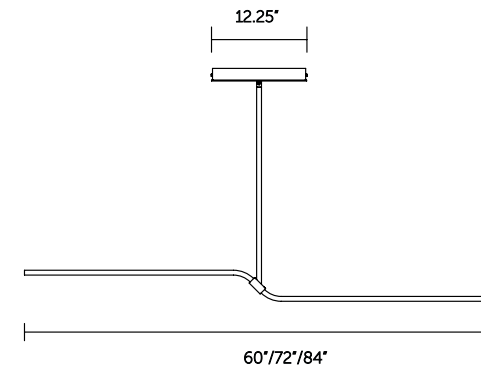
- Satin Nickel







**10746 Branch Pendant 5'**  
**10747 Branch Pendant 6"**  
**10748 Branch Pendant 7"**



**LAMPING**

**10746 (60")**

**LED**

43 watt ~3300 lumens Universal 120v-277v.  
Color Temperature: 2700 K 90+ CRI

**10747 (72")**

**LED**

50 watt ~3850 lumens Universal 120v-277v.  
Color Temperature: 2700 K 90+ CRI

**10748 (84")**

**LED**

50 watt ~3850 lumens Universal 120v-277v.  
Color Temperature: 2700 K 90+ CRI

3000°k color temperature is available.

The LED lamps standard in this fixture can be dimmed with 0-10V ELV, or Triac style dimmers

Custom configurations and sizes available upon request

**Height Overall:** 24" - 54" (610 - 1370 mm)

**STANDARD FINISHES**

- Antiqued Boyd Brass
- Blackened Brass
- Satin Brass

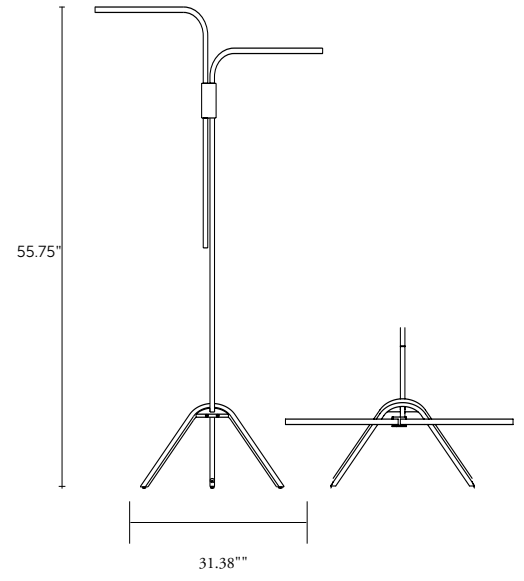
**SPECIALTY FINISHES**

- Satin Nickel





### 10722 Branch Floor



#### LAMPING

##### LED

- 14 watts max
- 2700 K 90+ CRI
- Universal 120-277 V
- ~850 fixture lumens
- Lamp included with fixture

3000°k color temperatures is available.

#### STANDARD FINISHES

- Satin Brass
- Antiqued Boyd Brass
- Blackened Brass

#### SPECIALTY FINISHES

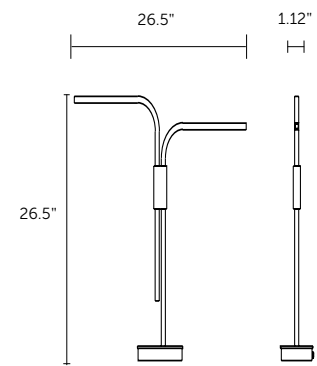
- Satin Nickel







### 10721 Branch Table



#### LAMPING

##### LED

- 14 watts max
- 2700 K 90+ CRI
- Universal 120-277 V
- ~850 fixture lumens
- Lamp included with fixture

3000°k color temperatures is available.

#### STANDARD FINISHES

- Satin Brass
- Antiqued Boyd Brass
- Blackened Brass

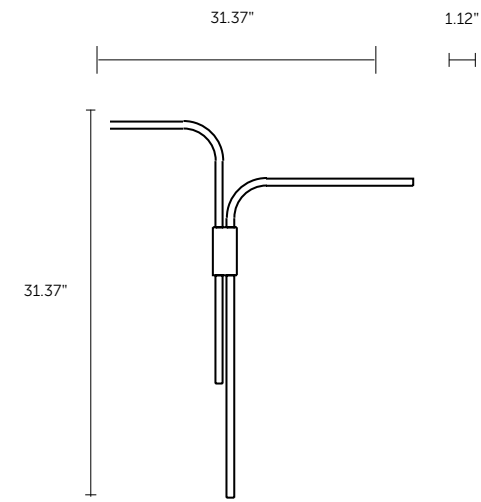
#### SPECIALTY FINISHES

- Satin Nickel





### 10720 Branch Sconce



#### LAMPING

##### LED

- 14 watts max
- 2700 K, 90+ CRI
- Universal 120-277 V
- ~850 fixture lumens
- Lamp included with fixture

Driver must be mounted remotely.

3000°k color temperatures is available.

Standard fixture with integral driver is dimmable with 0-10v, ELV or Triac dimming systems. Contact your local rep for additional information.

#### STANDARD FINISHES

- Satin Brass
- Antiqued Boyd Brass
- Blackened Brass

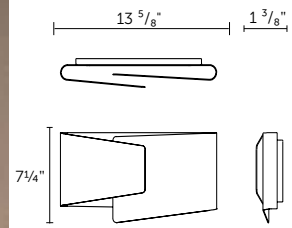
#### SPECIALTY FINISHES

- Satin Nickel





### 10698 Santa Fe Sconce



#### LAMPING

##### LED

- 6.3 watts max
- 2700 K, 90+ CRI
- Universal 120-277 V
- ~400 fixture lumens
- Lamp included with fixture

\*Upcharges will apply for LED dimming  
Driver must be mounted remotely.

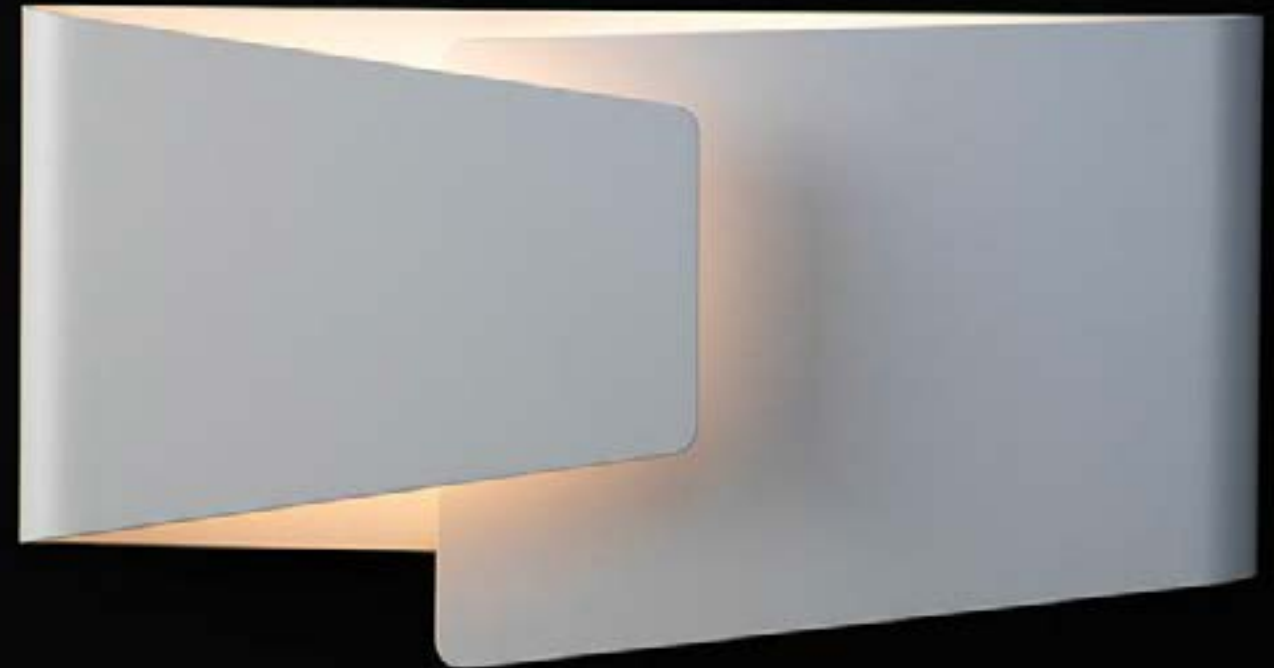
UL listed (or equivalent) for damp locations

#### STANDARD FINISHES

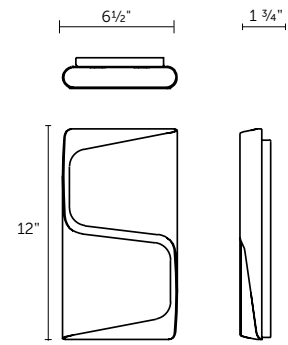
Cloud

#### SPECIALTY FINISHES

- Burnished Bronze



### 10699 Pueblo Sconce



#### LAMPING

##### LED

- 4.6 watts max
- 2700 K, 90+ CRI
- Universal 120-277 V
- ~300 fixture lumens
- Lamp included with fixture

Driver must be mounted remotely.

UL listed (or equivalent) for damp locations

#### STANDARD FINISHES

Cloud

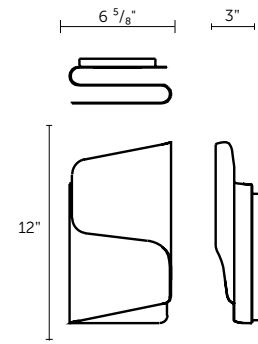
#### SPECIALTY FINISHES

- Burnished Bronze





## 10700 Taos Sconce



### LAMPING

#### LED

- 4.6 watts max
- 2700 K, 90+ CRI
- Universal 120-277 V
- ~300 fixture lumens
- Lamp included with fixture

Driver must be mounted remotely.

UL listed (or equivalent) for damp locations

### STANDARD FINISHES

Cloud

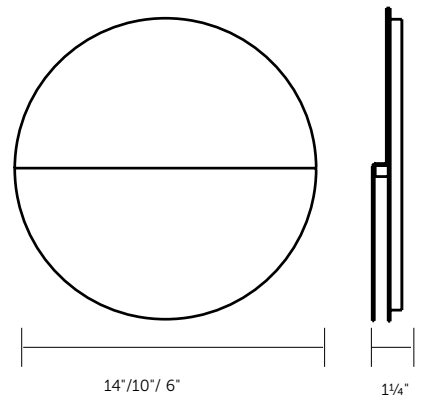
### SPECIALTY FINISHES

- Burnished Bronze





10712 Plateau Round 14"  
10711 Plateau Round 10"  
10710 Plateau Round 6"



**LAMPING**

Plateau Round 14"/ 10"

**LED**

- 6.3 watts max
- 2700 K, 90+ CRI
- Universal 120-277 V
- ~400 fixture lumens
- Lamp included with fixture

Plateau Round 6"

**LED**

- 2.4 watts max
- 2700 K, 90+ CRI
- Universal 120-277 V
- ~200 fixture lumens
- Lamp included with fixture

Driver must be mounted remotely.

Upcharges will apply for LED dimming.

**STANDARD FINISHES**

- Satin Brass
- Antiqued Boyd Brass

**SPECIALTY FINISHES**

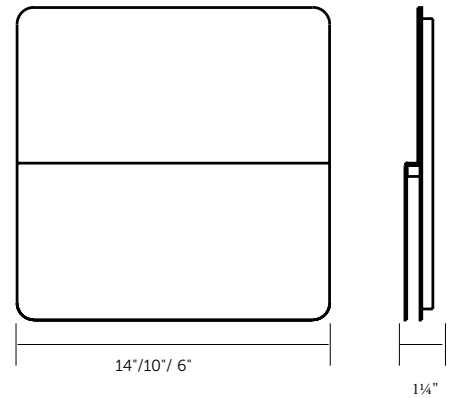
- Satin Nickel







10716 Plateau Square 14"  
10715 Plateau Square 10"  
10714 Plateau Square 6"



**LAMPING**

Plateau Square 14" / 10"

**LED**

- 6.3 watts max
- 2700 K, 90+ CRI
- Universal 120-277 V
- ~400 fixture lumens
- Lamp included with fixture

Plateau Square 6"

**LED**

- 2.4 watts max
- 2700 K, 90+ CRI
- Universal 120-277 V
- ~200 fixture lumens
- Lamp included with fixture

Driver must be mounted remotely.

Upcharges will apply for LED dimming.

**STANDARD FINISHES**

- Satin Brass
- Antiqued Boyd Brass

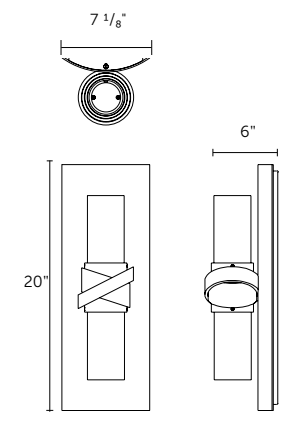
**SPECIALTY FINISHES**

- Satin Nickel





### 10694 Obi Sconce



#### LAMPING

- LED
- 18 watts max
- 2700 K, 90+ CRI
- Universal 120-277 V
- ~700 fixture lumens
- Lamp included with fixture

Standard fixture with integral driver is dimmable with 0-10v, ELV, or Triac dimming systems. Contact your local rep for additional information.

#### STANDARD FINISHES

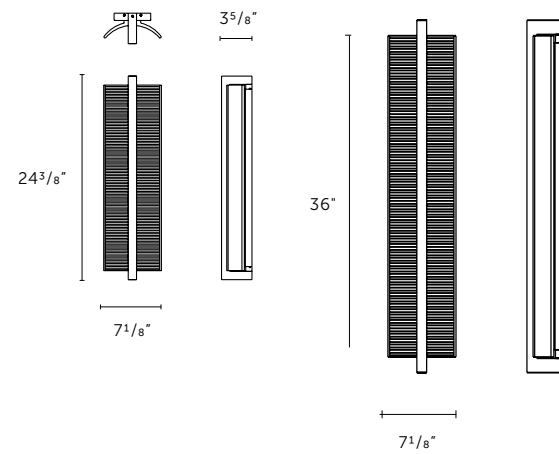
- Blackened Aluminum
- Satin Aluminum
- Cloud
- Gloss White
- Dark Bronze







**10681 Scorpio Sconce 24"**  
**10683 Scorpio Sconce 36"**



**LAMPING**

**#10681**

**LED**

- 17 watts max
- 2700 K
- Universal 120v-277v
- ~1100 lumens
- Lamps included with fixture

**#10683**

**LED**

- 26 watts max
- 2700 K
- Universal 120v-277v
- ~1500 lumens
- Lamps included with fixture

3000°k and 3500°k color temperatures, and Warm Dim LEDs are available.

Standard fixture with integral driver is dimmable with 0-10v, ELV or Triac dimming systems. Contact your local rep for additional information.

ADA compliant at any mounting height

UL listed (or equivalent) for damp locations

Backplate is cast and may exhibit slight imperfections, consistent with sand castings

**STANDARD FINISHES**

- Antiqued Boyd Brass
- Blackened Brass
- Polish Brass
- Satin Brass

**SPECIALTY FINISHES**

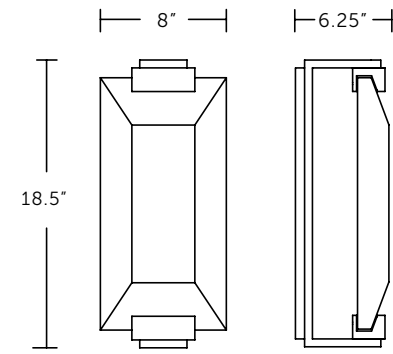
- Satin Nickel
- Polish Nickel







### DA2026 Alex Sconce



#### LAMPING

##### LED

- 5 watts max
  - Universal 120v-277v
  - 2700 K, 90+ CRI
  - ~725 lumens
- Lamps included with fixture

3500°k color temperatures, and Warm Dim LEDs are available.

LED Driver in unit

Standard fixture with integral driver is dimmable with 0-10v, ELV or Triac dimming systems. Contact your local rep for additional information.

**UL listed** (or equivalent) for damp locations

Glass is hand made by an artist and each piece will exhibit slight variations

##### STANDARD FINISHES

- Antiqued Boyd Brass
- Blackened Brass
- Polish Brass
- Satin Brass

##### SPECIALTY FINISHES

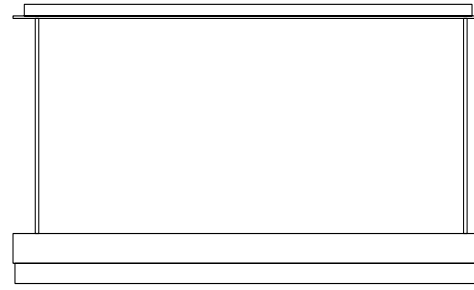
- Satin Nickel
- Polish Nickel







**DA2016-36/48/61**  
**Isa Pendant 48"**



36" | 48" | 60"

**LAMPING**

**DA2016-36**

Lightsource: LED  
Performance: 18 watts ~2000 lumens Universal 120v-277v.  
Color Temperature: 2700 K 90 + CRI

**DA2016-48**

Lightsource: LED  
Performance: 34 watts ~2600 lumens Universal 120v-277v.  
Color Temperature: 2700 K 90 + CRI

**DA2016-60**

Lightsource: LED  
Performance: 36 watts ~2750 lumens Universal 120v-277v.  
Color Temperature: 2700 K 90 + CRI

3000°k and 3500°k color temperatures are available.  
DRIVER

Standard fixture with integral driver is dimmable with 0-10v, ELV or Triac dimming systems. Contact your local rep for additional information.

**UL listed** (or equivalent) for damp locations

**Height Overall:** 24" - 48" (610 mm - 1219mm)

**STANDARD FINISHES**

- Antiqued Boyd Brass
- Blackened Brass
- Satin Brass

**SPECIALTY FINISHES**

- Satin Nickel

**OPTIONS**

- Cast Crystal or Cast Rock





**DA2027-16 Isa Sconce 16"**  
**DA2027-30 Isa Sconce 30"**

**LAMPING**

**#DA2027-16**

**LED**

- 20 watts max
- Universal 120v-277v
- 2700 K, 90+CRI
- ~975 lumens

Lamps included with fixture

**UL listed** (or equivalent) for damp locations

**#DA2027-30**

**LED**

- 20 watts max
- Universal 120v-277v
- 2700 K, 90+CRI
- ~1500 lumens
- Lamps included with fixture

3000°k and 3500°k color temperatures are available.

Driver must be mounted remotely

Standard fixture with integral driver is dimmable with 0-10v, ELV or Triac dimming systems. Contact your local rep for additional information.

For ADA compliance height of center of outlet box above floor: 95" (241 cm)

Due to the narrow profile, this fixture requires mud work. A 3.5" mudding plate is provided.

If mudding is not an option, a larger backplate can be offered as a custom order.

Glass is hand made by an artist and each piece will exhibit slight variations

**UL listed** (or equivalent) for damp locations

**STANDARD FINISHES**

- Antiqued Boyd Brass
- Blackened Brass
- Satin Brass

**SPECIALTY FINISHES**

- Satin Nickel

**OPTIONS**

- Cast Crystal or Cast Rock





